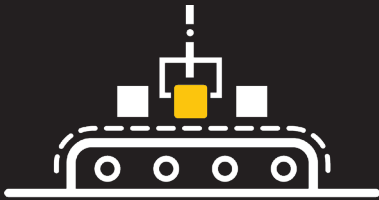


Industry Catalog

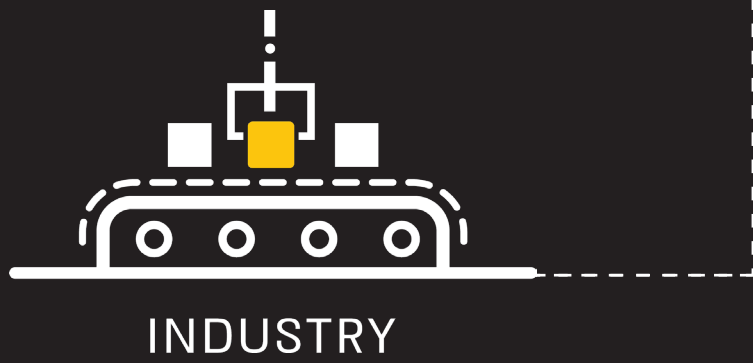


INDUSTRY



Tackling climate
change together

b **BACCARA**[®]
AUTOMATION & CONTROL



INDUSTRY

INDEX

CERTIFICATION	3
SOLENOID VALVES GEM-SOL®	
General Purpose	5
Special Purpose	39
COILS & OPERATORS	65
PROCESS VALVES	83
INSTRUMENTATION & CONTROL	93
PNEUMATIC VALVES	
General Purpose	97
Brass Heavy Duty	113
TECHNICAL INFORMATION	159



ISO 9001:2015

Quality Management System : Design, production, testing and marketing of solenoid valves and automation control equipment



ISO 14001:2015

Environmental Management System : Design, production, testing and marketing of solenoid valves and automation control equipment



ISO 45001:2018

Occupational Health & Safety Management System : Design, production, testing and marketing of solenoid valves and automation control equipment



CE

EC Declaration of Conformity
Complies with the requirements and provisions of the Council Directive 2014/35/EU
Available on selected models only



EN55011 Group1 - Class A / EN61000-6-1 / CFR 47 FCC Class A
EMC - SII Certificate of Conformity



UL 429
Standard for electrically operated valves
Only available for GEM-SOL® Coils



FCC

Product certification from The Federal Communications Commission
Available on selected models only



RU (UR)

"Recognized Component Mark" : a quality mark issued by UL and placed on components which are intended to be part of a UL listed product
Available on selected models only



SOLENOID VALVES

GEM-SOL[®] | GENERAL PURPOSE

DIRECT OPERATED VALVES	6
PILOT OPERATED VALVES	28



SOLENOID VALVES | GEM-SOL® | General Purpose

Direct Operated

GEM-SOL® | A22 (G80-A)

2 Way NC, NO

Technical Data

Function	2 Way NC, NO
Ports size	1/8" BSP, NPT, M5
Orifice size	See table
Pressure range	<ul style="list-style-type: none"> • See table • Valves for pressure higher than 12 bar cannot be supplied with manual override
Kv (l/min)	See table
Temperature range	Fluid : -10°C to 80°C (no freezing) Ambient : -10°C to 50°C
Materials in contact with media	Main Valve: Aluminium, Stainless Steel AISI 316, Brass Solenoid Operator * Stainless Steel AISI 300 & 400 series, Brass * Standard operators are Stainless Steel Seals: NBR, FKM, EPDM, FFKM
Media	Air, water, oil
Coil voltage	<ul style="list-style-type: none"> • Voltage and power consumption - see table • All Baccara coil voltages are ± 10% of nominal
Standard protection class	IP65 with connector



Brass

Stainless Steel



Aluminium

Max. Pressure (bar) 2 Way NC

Coil Current/Power	Orifice (mm)				
	1.0	1.2	1.6	2.0	2.4
AC - 75W	40	35	35	12	10
AC - 5W	40	30	15	8	6
DC - 6W	40	35	20	12	10
DC - 3W	40	30	15	5	4
Flow factor Kv(l/min)	0.5	0.65	1.2	1.6	2

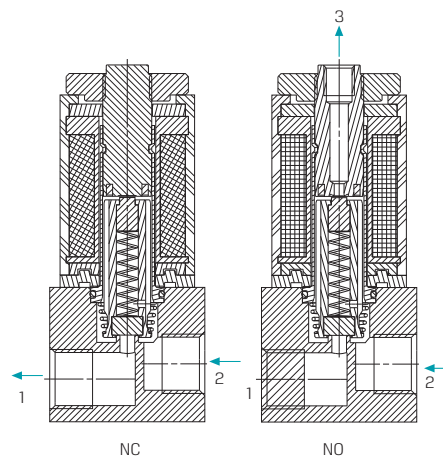
Max. Pressure (bar) 2 Way NO

Coil Current/Power	Orifice (mm)	
	1.2	1.6
AC - 5W	15	10
DC - 3W	15	10
Flow factor Kv(l/min)	0.4	0.7

Voltage & Power Consumption

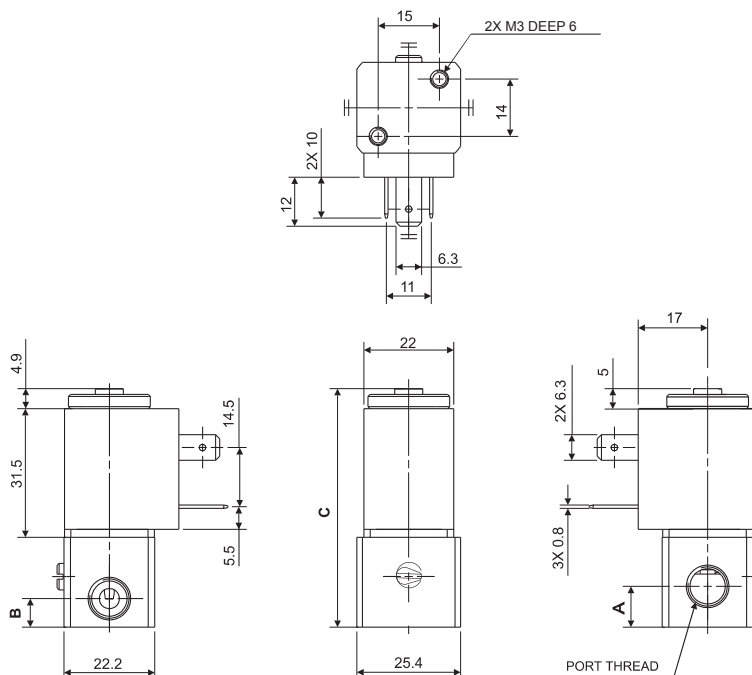
	AC (W)				DC (W)	
	50 Hz		60 Hz			
V	7.5	5	6	3	6	3
6					•	•
12	•	•	•	•	•	•
24	•	•	•	•	•	•
110	•	•	•	•		
230	•	•	•	•		

• Available options



GEM-SOL® | A22 (G80-A) | 2 Way NC, NO

Dimensions



Port thread	A	B	C
M5	5.5	4	51.5
1/8"	10	7	58.5

How to Order

* When ordering without coil, please define what current and pressure rating is needed (DC, AC)

G80-A	BODY ⁽¹⁾	PORT	FUNCTION	ORIFICE	SEALS	MANUAL OVERRIDE	VOLTAGE		POWER		CONNECTOR							
	Aluminium *	1	M5 *	00	2W NC	1	1.0	1	NBR	N	None	0	without coil	0	No coil	0	with	1
	Brass	2	1/8" BSP	10	2W NO	2	1.2	2	FKM	V			6 ⁽⁴⁾	1	AC75W 50Hz	1	flying leads	4
	Stainless Steel	3	1/8" NPT	11			1.6	3	EPDM	E			12	2	AC6W 60Hz	2		
							2.0 ⁽²⁾	4	FFKM* ⁽³⁾	K			24	3	DC6W	3		
							2.4 ⁽²⁾	5					110	5	AC5W 50Hz	4		
													230	7	AC3W 60Hz	5		
													other	9	DC3W	7		

* SPECIAL OPTIONS | Extended lead times, Non-stock items, MOQ may be applicable

Example : G80-A-21011V0-321

GEM-SOL® A22 (G80-A) direct operated, Brass, 1/8", 2W NC, 1.0mm orifice, FKM, no manual override, 24VAC 6W 60Hz, with connector.

(1) For Stainless Steel tube, add "s": e.g A22-□s.....

(2) NC only

(3) FFKM O-ring is available only upon request. When ordering FFKM seals, please consult with our technical sales department about O-ring compound

(4) DC only

* To order valves manufactured according to your specific requirements, please contact our technical sales department.

SOLENOID VALVES | GEM-SOL® | General Purpose

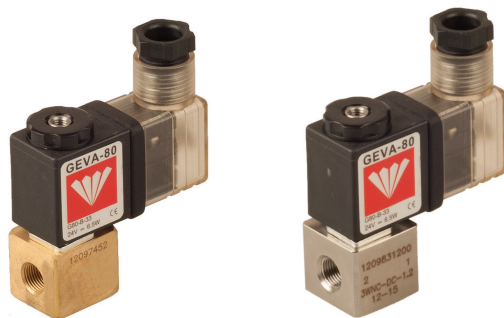
Direct Operated

GEM-SOL® | A22 (G80-A)

3 Way NC, NO

Technical Data

Function	3 Way NC, NO
Ports size	1/8" BSP, NPT, M5,
Orifice size	See table
Pressure range	<ul style="list-style-type: none"> • See table • Valves for pressure higher than 12 bar cannot be supplied with manual override
Kv (l/min)	See table
Temperature range	Fluid : -10°C to 80°C (no freezing) Ambient : -10°C to 50°C
Materials in contact with media	Main Valve: Aluminium, Stainless Steel AISI 316, Brass Solenoid Operator* Stainless Steel AISI 300 & 400 series, Brass * Standard operators are Stainless Steel Seals: NBR, FKM, EPDM
Media	Air, water, oil
Coil voltage	<ul style="list-style-type: none"> • Voltage and power consumption - see table • All Baccara coil voltages are ± 10% of nominal
Standard protection class	IP65 with connector



Brass

Stainless Steel



Aluminium

Max. Pressure (bar) 3 Way NC

Coil Current/Power	Orifice (mm)		
	1.0	1.2	1.6
AC - 7.5W	15	12	10.5
AC - 5W	12	10	7
DC - 6W	15	12	10.5
DC - 3W	12	10	7
Flow factor Kv(l/min)	0.5	0.65	1

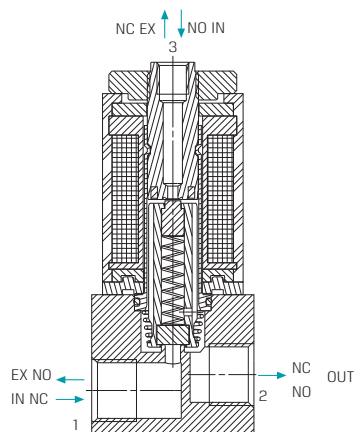
Max. Pressure (bar) 3 Way NO

Coil Current/Power	Orifice(mm)	
	1.2	1.6
AC - 7.5W	12	8
AC - 5W	10	7
DC - 6W	12	8
DC - 3W	10	6
Flow factor Kv(l/min)	0.4	0.7

Voltage & Power Consumption

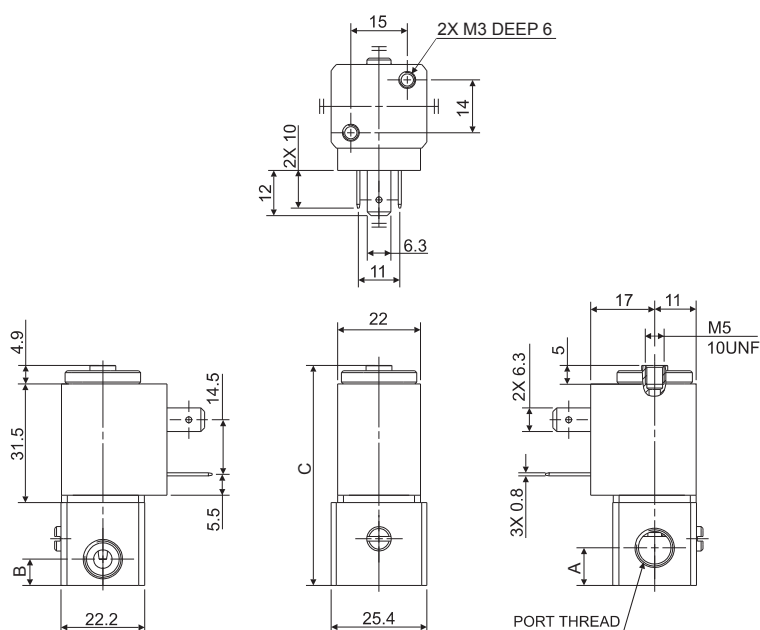
	AC (W)				DC (W)	
	50 Hz		60 Hz		6	3
V	7.5	5	6	3	6	3
6					•	•
12	•	•	•	•	•	•
24	•	•	•	•	•	•
110	•	•	•	•		
230	•	•	•	•		

• Available options



GEM-SOL® | A22 (G80-A) | 3 Way NC, NO

Dimensions



Port thread	A	B	C
M5	5.5	4	51.5
1/8"	10	7	58.5

How to Order

G80-A	BODY ⁽¹⁾	PORT	FUNCTION	ORIFICE	SEALS	MANUAL OVERRIDE	* When ordering without coil, please define what current and pressure rating is needed (DC, AC)							
							VOLTAGE	POWER	CONNECTOR					
	Aluminium *	M5 *	00	3W NC 3	1.0 1	NBR N	None	0	without coil	0	No coil	0	with	1
	Brass	1/8" BSP	10	3W NO 4	1.2 2	FKM V			6 ⁽²⁾	1	AC75W 50Hz	1	flying leads coil *	4
	Stainless Steel	1/8" NPT	11		1.6 3	EPDM E			12	2	AC6W 60Hz	2		
									24	3	DC6W	3		
									110	5	AC5W 50Hz	4		
									230	7	AC3W 60Hz	5		
									other	9	DC3W	7		
											Latch * ⁽³⁾	L		

* **SPECIAL OPTIONS** | Extended lead times, Non-stock items, MOQ may be applicable

Example : G80-A-21032V0-231

GEM-SOL® A22 (G80-A) direct operated, Brass, 1/8" BSP, 3W NC, 1.2 orifice, FKM, no manual override, 12VDC 6W with connector

(1) For Stainless Steel tube add "s" : e.g **A22-□s.....**

(2) DC only

(3) When ordering a latch valve, please contact our technical sales department

* To order valves manufactured according to your specific requirements, please contact our technical sales department.

SOLENOID VALVES | GEM-SOL® | General Purpose

Direct Operated

GEM-SOL® | A32 (GEM-A)

1/8", 1/4" | 2 Way NC, NO

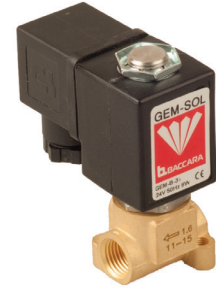
Technical Data

Function	2 Way NC, NO
Ports size	1/8" and 1/4" BSP & NPT
Orifice size	See table
Pressure range	<ul style="list-style-type: none"> • See table • Valves for pressure higher than 25 bar cannot be supplied with manual override
Kv (l/min)	See table
Temperature range	Fluid : -10°C to 80°C (no freezing) Ambient : -10°C to 50°C
Materials in contact with media	Manual override: Plastic (Reinforced Nylon), Brass screw or finger knob, Stainless Steel for Stainless Steel valves (1) Plastic manual override : Maximum pressure : 16 bar (2) Manual override is unavailable in 2W NO through base applications Main Valve: Brass or Stainless Steel AISI 316 Solenoid Operator: Stainless Steel AISI 300 & 400 series Seals: NBR, FKM, EPDM, FFKM, PTFE
Media	Air, water, oil
Coil voltage	<ul style="list-style-type: none"> • Voltage and power consumption - see table • All Baccara coil voltages are ± 10% of nominal
Standard protection class	IP65 with connector * Option : IP68 (please refer to GEM-BP Coil)

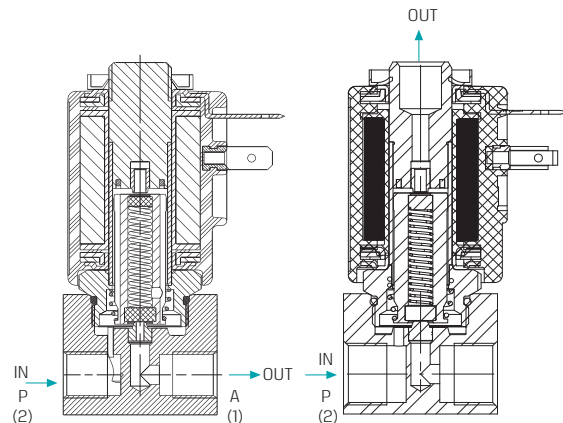
- Latch valves are available upon request
- Available with manifold bracket upon request. Please contact our technical sales department.



Stainless Steel



Brass



2 Way NC

2 Way NO

Max. Pressure (bar) 2 Way NC

Coil Current/Power	Orifice (mm)						
	0.8	1.2	1.6	2.0	2.4	3.0	4.0
ADC *	60	50	35	20	15	10	5
AC8W/DC10W	80	80	60	38	30	18	10
AC5.5W	80	60	40	28	20	15	6
AC2.5W	60	50	35	20	15	9	5
DC5.5W	60	30	18	12	9	6	3
DC3.5W	40	20	12	8	6	4	2
Flow factor Kv(l/min)	0.5	1.1	1.7	2.5	3.5	4.5	5

Max. Pressure (bar) 2 Way NO

Coil Current/Power	Orifice (mm)					
	0.8	1.2	1.6	2.0	2.4	3.0
ADC *	25	25	25	20	15	10
Flow factor Kv(l/min)	0.5	1.1	1.4	2.5	3.0	3.5

* ADC valves are only suitable for use with AC8W or DC10W coils

Voltage & Power Consumption

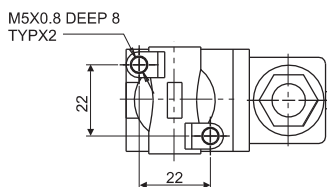
V	AC (W)						DC (W)		
	50 Hz			60 Hz			10	5.5	3.5
6							•	•	•
12	•			•			•	•	•
24	•	•		•	•		•	•	•
48	•			•			•		
110	•			•	•		•		
120	•			•	•				
220	•	•		•			•		
230	•	•		•	•				
240	•			•			•		

Available options

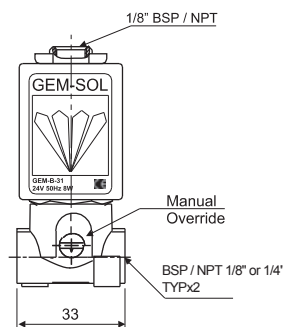
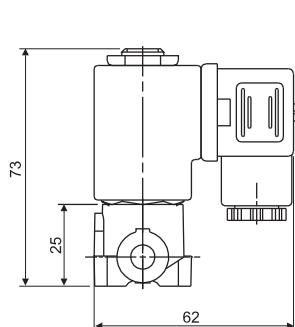
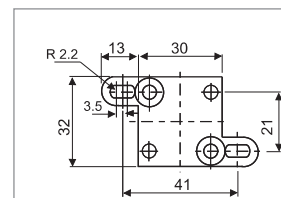
- Standard
- Special

GEM-SOL® | A32 (GEM-A) | 1/8", 1/4" | 2 Way NC, NO

Dimensions



Optional Mounting Bracket



How to Order

* For available options, please refer to **VOLTAGE & POWER CONSUMPTION** table

GEM-A	BODY	PORT	FUNCTION	ORIFICE	SEALS	MANUAL OVERRIDE	VOLTAGE	POWER	CONNECTOR								
Brass	2	1/8" BSP	10	2W NC	1	0.8	1	NBR	N	None	0	without coil	0	No coil	0	with	1
SST	3	1/8" NPT	11	2W NO *	2	1.2	2	FKM *	V	Plastic * (3)	1	6 (4)	1	AC8W 50Hz	1	with LED	2
		1/4" BSP	20	2WNO-through base (1)	2a	1.6	3	EPDM	E	Slot	2	12	2	AC8W 60Hz	2	flying leads coil *	4
		1/4" NPT	21			2.0	4	FFKM *(2)	K	Knob *	3	24	3	DC 10W	3	with 1/2" Hub	5
						2.4	5	PTFE *	T			48	4	AC 5.5W 50Hz	4	surge protection with LED *	6
						3.0 *	6					110	5	AC 5.5W 60Hz	5	connector with moulded cable	7
						4.0 *	7					120	6	AC 2.5W 50/60Hz	6	other *	9
												220	7A	DC 5.5W	7		
												230	7	DC 3.5W	8		
												240	8				
												Latch/other * (5)	9				

* **SPECIAL OPTIONS** | Extended lead times, Non-stock items, MOQ may be applicable

Example : GEM-A-21015N2-331

GEM-SOL® A32 (GEM-A) direct operated, Brass, 1/8"BSP, 2W NC, 2.4 orifice, NBR, slot manual override, 24VDC 10W with connector

- (1) Option 2a : manual override is not available
- (2) FFKM O-ring is available only upon request. When ordering FFKM seals, please consult with our technical sales department about O-ring compound
- (3) Maximum pressure : 16 bar
- (4) DC only
- (5) For specifying Latch type coil, please refer to A3P32 (GEM-A3P) valve - How to Order table

* **Note:** When ordering without coil, please define what current and pressure rating is needed (DC, AC or ADC), otherwise an ADC valve will be supplied

* To order valves manufactured according to your specific requirements, please contact our technical sales department.

SOLENOID VALVES | GEM-SOL® | General Purpose

Direct Operated

GEM-SOL® | A32 (GEM-A)

1/8", 1/4" | 3 Way NC, NO

Technical Data

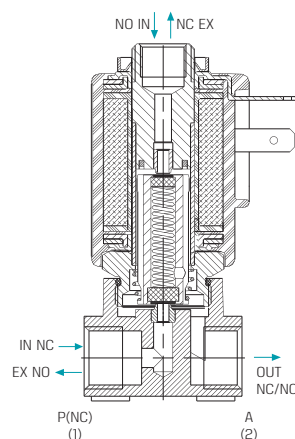
Function	3 Way NC, NO
Ports size	1/8" and 1/4" BSP & NPT
Orifice size	See table
Pressure range	<ul style="list-style-type: none"> • See table • Valves for pressure higher than 25 bar cannot be supplied with manual override
Kv (l/min)	See table
Temperature range	Fluid : -10°C to 80°C (no freezing) Ambient : -10°C to 50°C
Materials in contact with media	Manual override: Plastic (Reinforced Nylon), Brass screw or finger knob, Stainless Steel for Stainless Steel valves (1) Plastic manual override : Maximum pressure : 16 bar (2) Manual override is unavailable in 3 Way NO through base applications Main Valve: Brass or Stainless Steel AISI 316 Solenoid Operator: Stainless Steel AISI 300 & 400 series Seals: NBR, FKM, EPDM, FFKM, PTFE
Media	Air, water, oil
Coil voltage	<ul style="list-style-type: none"> • Voltage and power consumption - see table • All Baccara coil voltages are ± 10% of nominal
Standard protection class	IP65 with connector * Option : IP68 (please refer to GEM-BP Coil)

- Latch valves are available upon request
- Available with manifold bracket upon request. Please contact our technical sales department.



Stainless Steel

Brass



Max. Pressure (bar) 3 Way NC

Coil Current/Power	Orifice (mm)					
	0.8	1.2	1.6	2.0	2.4	3.0
ADC *	23	20	15	10	8	5.5
AC8W, DC10W	35	30	17	14	10	6
AC5.5W	23	20	15	10	8	5.5
AC2.5W DC5.5W DC3.5W	20	16	10	9	5	4
Flow factor Kv(l/min)	0.6	1.1	1.7	2.5	3.5	4.5

Max. Pressure (bar) 3 Way NO

Coil Current/Power	Orifice (mm)					
	0.8	1.2	1.6	2.0	2.4	3.0
ADC *	25	20	15	11	8	6
AC/8W DC/10W	30	22	17	12	10	7
AC/5.5W,DC/5.5W	25	20	15	11	8	6
AC/2.5W,DC/3.5W	20	18	12	8	6	4
Flow factor Kv(l/min)	0.6	1	1.4	2.2	3.0	3.5

* ADC valves are only suitable for use with AC8W or DC10W coils.

Voltage & Power Consumption

V	AC (W)						DC (W)		
	50 Hz			60 Hz			10	5.5	3.5
6							•	•	•
12	•			•			•	•	•
24	•	•		•	•	•	•	•	•
48	•			•			•		
110	•			•	•		•		
120	•			•	•				
220	•	•	•	•			•		
230	•	•		•	•				
240	•			•			•		

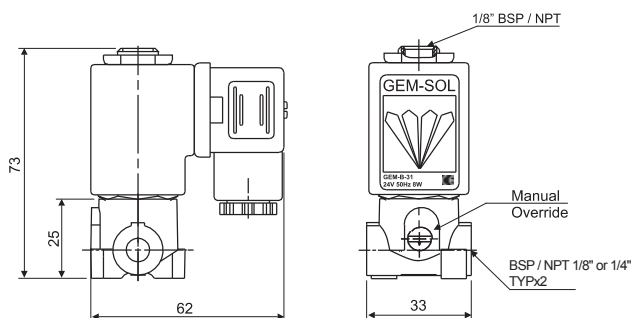
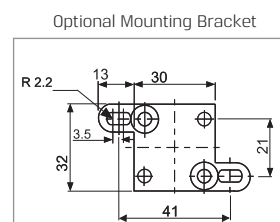
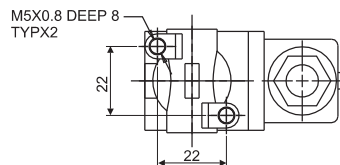
Available options

• Standard

• Special

GEM-SOL® | A32 (GEM-A) | 1/8", 1/4" | 3 Way NC, NO

Dimensions



How to Order

* For available options, please refer to VOLTAGE & POWER CONSUMPTION table

GEM-A	BODY	PORT	FUNCTION	ORIFICE	SEALS	MANUAL OVERRIDE	VOLTAGE	POWER	CONNECTOR								
Brass	2	1/8" BSP	10	3W NC	3	0.8	1	NBR	N	None	0	without coil	0	No coil	0	with	1
SST	3	1/8" NPT	11	3W NO *	4	1.2	2	FKM *	V	Plastic * (3)	1	6 (4)	1	AC8W 50Hz	1	with LED	2
		1/4" BSP	20	3WNO (1) through base*	4a	1.6	3	EPDM	E	Slot	2	12	2	AC8W 60Hz	2	flying leads coil *	4
		1/4" NPT	21			2.0	4	FFKM *(2)	K	Knob *	3	24	3	DC 10W	3	with 1/2" Hub	5
						2.4	5	PTFE *	T			48	4	AC 5.5W 50Hz	4	surge protection with LED *	6
						3.0 *	6					110	5	AC 5.5W 60Hz	5	connector with moulded cable	7
												120	6	AC 2.5W 50/60Hz	6	other *	9
												220	7A	DC 5.5W	7		
												230	7	DC 3.5W	8		
												240	8				
												Latch/other * (5)	9				

* **SPECIAL OPTIONS** | Extended lead times, Non-stock items, MOQ may be applicable

Example : GEM-A-21035N2-331

GEM-SOL® A32 (GEM-A) direct operated, Brass, 1/8" BSP, 3W NC, 2.4 orifice, NBR, slot manual override, 24VDC 10W with connector

- (1) Option 4a : manual override is not available
- (2) FFKM O-ring is available only upon request. When ordering FFKM seals, please consult with our technical sales department about O-ring compound
- (3) Maximum pressure : 16 bar
- (4) DC only
- (5) For specifying Latch type coil, please refer to A3P32 (GEM-A3P) valve - How to Order table

* **Note:** When ordering without coil, please define what current and pressure rating is needed (DC, AC or ADC), otherwise an ADC valve will be supplied

* To order valves manufactured according to your specific requirements, please contact our technical sales department.

SOLENOID VALVES | GEM-SOL® | General Purpose

Direct Operated

GEM-SOL® | I32 (GEM-I)

Inline 1/8", 1/4" | 2 Way NC, NO

Technical Data

Function	2 Way NC, NO
Ports size	1/8", 1/4" BSP & NPT
Orifice size	See table
Pressure range	See table • Higher pressures are available
Kv (l/min)	See table
Temperature range	Fluid : -10°C to 80°C (no freezing) Ambient : -10°C to 50°C
Materials in contact with media	Main Valve: Brass Solenoid Operator: Stainless Steel AISI 300 & 400 series Seals: NBR, FKM, EPDM
Media	Air, water, oil
Coil voltage	• Voltage and power consumption - see table • All Baccara coil voltages are ± 10% of nominal
Standard protection class	IP65 with connector * Option : IP68 (please refer to GEM-BP Coil)

• Latch valves are available upon request.



Inline

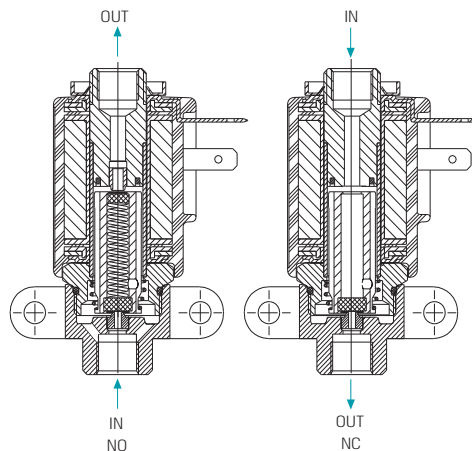
Max. Pressure (bar) 2 Way NC

Coil Current/Power	Orifice (mm)			
	0.8	1.6	2.4	3.0
ADC *	40	30	17	10
AC8W, DC10W	45	37	20	12
AC5.5W	40	32	16	8
DC5.5W	35	30	12	6
Flow factor Kv(l/min)	0.5	1.7	3.5	4.5

Max. Pressure (bar) 2 Way NO

Coil Current/Power	Orifice (mm)			
	0.8	1.6	2.4	3.0
ADC *	32	27	13	9
AC8W, DC10W	35	32	18	12
Flow factor Kv(l/min)	0.5	1.6	3.2	3.8

* ADC valves are only suitable for use with AC8W or DC10W coils.



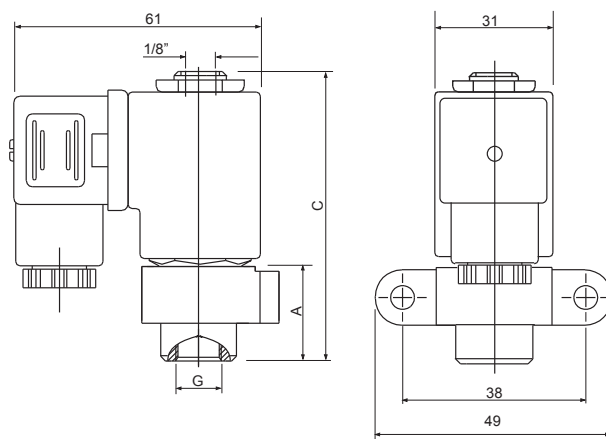
Voltage & Power Consumption

V	AC (W)						DC (W)		
	50 Hz			60 Hz			10	5.5	3.5
6							•	•	
12	•			•			•	•	
24	•	•		•	•		•	•	
48	•			•			•		
110	•			•	•		•		
120	•			•	•				
220	•	•		•			•		
230	•	•		•	•				
240	•			•			•		

• Available options

GEM-SOL® | I32 (GEM-I) | Inline 1/8", 1/4" | 2 Way NC, NO

Dimensions



Size (G)	A	C
1/8"	20	68
1/4"	23	88

"INLINE" Mounting

How to Order

GEM-I	BODY	PORT	FUNCTION	ORIFICE	SEALS	VOLTAGE	POWER	CONNECTOR							
"Inline" mounting	5	1/8" BSP	10	2W NC	1	0.8	1	NBR	N	without coil	0	No coil	0	with	1
		1/8" NPT * 11	2W NO	2	1.2	2	FKM	V	6 ⁽¹⁾	1	AC8W 50Hz	1	with LED	2	
		1/4" BSP * 20			1.6	3	EPDM	E	12	2	AC8W 60Hz	2	flying leads coil *	4	
		1/4" NPT * 21			2.0	4			24	3	DC10W	3	with 1/2" Hub	5	
					2.4	5			48	4	AC5.5W 50Hz	4	surge protection with LED *	6	
					3.0	6			110	5	AC5.5W 60Hz	5	connector with moulded cable	7	
									120	6	DC5.5W	7	other	9	
									220	7A					
									230	7					
									240	8					
							Latch/other *⁽²⁾	9							

* **SPECIAL OPTIONS** | Extended lead times, Non-stock items, MOQ may be applicable

Example : GEM-I-51015N-331

GEM-SOL® I32 (GEM-I) direct operated, Inline Mounting, 1/8" BSP, 2W NC, 2.4 orifice, NBR, 24VDC 10W with connector.

(1) DC only

(2) When specifying Latch type coil, please refer to A3P32 (GEM-A3P) valve - How to Order table.

* **Note:** When ordering without coil, please define what current and pressure rating is needed (DC, AC or ADC), otherwise an ADC valve will be supplied.

* To order valves manufactured according to your specific requirements, please contact our technical sales department.

SOLENOID VALVES | GEM-SOL® | General Purpose Direct Operated

GEM-SOL® | AL32 (GEM-A | Large orifice)

Large orifice 1/4" | 2 Way NC, NO

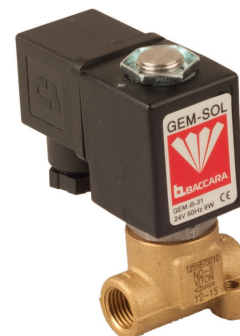
Technical Data

Function	2 Way NC, NO
Ports size	1/4" BSP & NPT
Orifice size	See table
Pressure range	See table
Kv (l/min)	See table
Temperature range	Fluid : -10°C to 80°C (no freezing) Ambient : -10°C to 50°C
Materials in contact with media	Main Valve: Brass or Stainless Steel AISI 316 Solenoid Operator: Stainless Steel AISI 300 & 400 series Seals: FKM, EPDM, FFKM, PTFE
Recommended use	Vacuum application
Media	Air, water, oil
Coil voltage	• Voltage and power consumption - see table • All Baccara coil voltages are ± 10% of nominal
Standard protection class	IP65 with connector * Option : IP68 (please refer to GEM-BP Coil)

• Latch valves are available upon request.



Stainless Steel



Brass

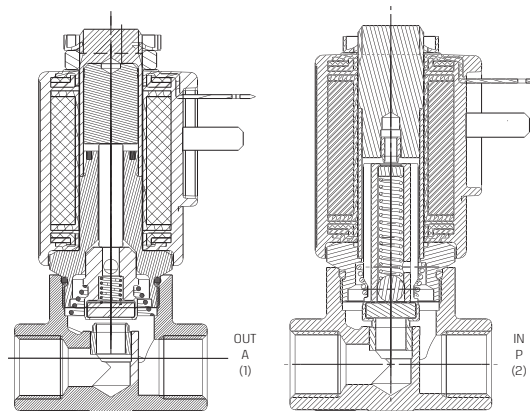
Max. Pressure (bar) 2 Way NC

Coil Current/Power	Max. Pressure (bar)	
	6.0	8.0
AC8W	3.8	2.5
AC5.5W	3	2
DC10W	3.8	1.5
DC5.5W	2	1
Flow factor Kv(l/min)	6	10

Max. Pressure (bar) 2 Way NO

Coil Current/Power	Max. Pressure (bar)
	6.0
ADC *	2
AC8W, DC10W	2
Flow factor Kv(l/min)	6

* ADC valves are only suitable for use with AC8W or DC10W coils.



← Flow direction

Voltage & Power Consumption

V	AC (W)						DC (W)		
	50 Hz			60 Hz			10	5.5	3.5
6							•	•	•
12	•	•		•	•		•	•	•
24	•	•	•	•	•	•	•	•	•
48	•	•		•	•		•	•	
110	•	•		•	•	•	•	•	
120	•	•		•	•	•			
220	•	•	•	•	•		•	•	
230	•	•	•	•	•	•			
240	•	•		•	•		•	•	

Available options :

- NC valves
- NO valves

SOLENOID VALVES | GEM-SOL® | General Purpose Direct Operated

GEM-SOL® | AL32 (GEM-A | Large orifice)

Large orifice 1/4" | 3 Way NC, NO

Technical Data

Function	3 Way NC, NO
Ports size	1/4" BSP & NPT
Orifice size	Bottom orifice : 6.0mm, 8.0mm Top orifice : 3mm, 5mm (see table)
Kv (l/min)	See table
Temperature range	Fluid : -10°C to 80°C (no freezing) Ambient : -10°C to 50°C
Materials in contact with media	Main Valve: Brass or Stainless Steel AISI 316 Solenoid Operator: Stainless Steel AISI 300 & 400 series Seals: FKM, EPDM, FFKM
Media	Air, water
Coil voltage	• Voltage and power consumption - see table • All Baccara coil voltages are ± 10% of nominal
Standard protection class	IP65 with connector * Option : IP68 (please refer to GEM-BP Coil)



Brass | pressure |
6mm orifice

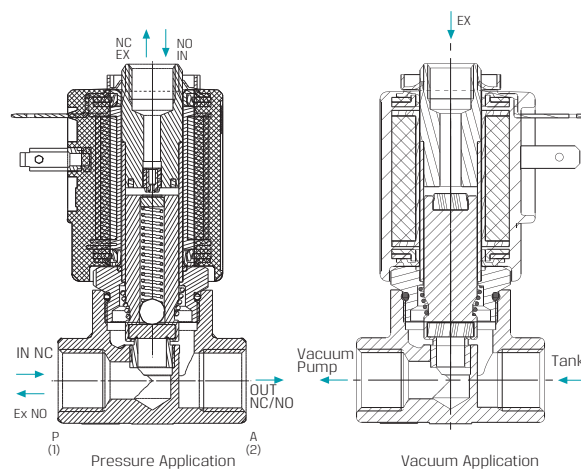
- These valves have been especially designed for electronic automatic vacuum milking systems.

Vacuum Application (bar)

Function	6.0		8.0	
	6.0	8.0	6.0	8.0
3 Way NC	-1	-1		
3 Way NO	-1 to 0.5	NA		
Flow factor Kv(l/min)	6	10		

Pressure Application (bar)

Function	6.0		8.0	
	6.0	8.0	6.0	8.0
3 Way NC	1.6	0.5		
3 Way NO (for 3mm top orifice)	1.5	NA		
Flow factor Kv(l/min)	6	10		



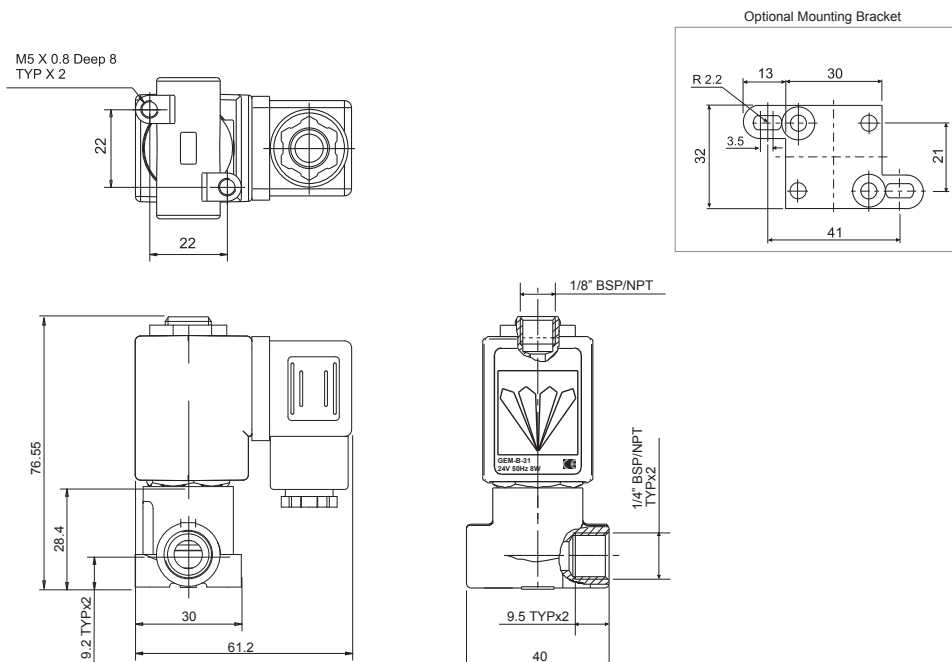
Voltage & Power Consumption

V	AC (W)						DC (W)		
	50 Hz			60 Hz			10	5.5	3.5
6							•		
12	•			•			•		
24	•			•			•		
48	•			•			•		
110	•			•			•		
120	•			•			•		
220	•			•			•		
230	•			•			•		
240	•			•			•		

- Available options

GEM-SOL® | AL32 (GEM-A) | Large orifice 1/4" | 3 Way NC, NO

Dimensions



How to Order

GEM-A	BODY	PORT	FUNCTION	PRESSURE	ORIFICE ⁽¹⁾	SEALS	VOLTAGE	POWER	CONNECTOR
	Brass	2 1/4" BSP	20 3W NC 3	Pressure 1	6.0 8	FKM V	without coil 0	No coil 0	with 1
	Stainless Steel *	3 1/4" NPT	21 3W NO 4	Vacuum 2	8.0 ⁽²⁾ a	EPDM E	6 ⁽³⁾	1 AC8W 50Hz	1 with LED
12							2 AC8W 60Hz	2 flying leads coil *	
24							3 DC10W	3 with 1/2" Hub	
48							4	6 surge protection with LED *	
							110	5	connector with moulded cable
							120	6	other
							220	7A	
							230	7	
							240	8	
							Latch/other * ⁽⁴⁾		9

* **SPECIAL OPTIONS** | Extended lead times, Non-stock items, MOQ may be applicable

Orifice Table (mm)

Current	Bottom	Top
DC	6	5
DC	8	5
AC	6	3

Example : GEM-A-220318V-331

GEM-SOL® AL32 (GEM-A) direct operated, Brass, 1/4" BSP, 3W NC, pressure, 6.0 orifice, FKM, 24VDC 10W with connector.

- (1) See Orifice table
- (2) Not available in NO valve
- (3) DC only
- (4) For specifying Latch type coil, please refer to A3P32 (GEM-A3P) valve - How to Order table

* **Note:** When ordering without coil, please define what current and pressure rating is needed (DC, AC or ADC), otherwise an ADC valve will be supplied.

* To order valves manufactured according to your specific requirements, please contact our technical sales department.

SOLENOID VALVES | GEM-SOL® | General Purpose Direct Operated

GEM-SOL® | L32 (GEM-L)

Low pressure flows 1/4"-1/2" | 2 Way NC, NO

Technical Data

Function	2 Way NC, NO
Ports size	1/4", 3/8", 1/2" BSP & NPT
Pressure range	See table
Kv (l/min)	See table
Temperature range	Fluid : -10°C to 80°C (no freezing) Ambient : -10°C to 50°C
Materials in contact with media	Main Valve: Brass Stainless Steel AISI 316 Solenoid Operator: Stainless Steel AISI 300 & 400 series Seals: NBR, FKM, EPDM
Media	Designed for use in LP gas systems. Also in air, water and vacuum systems : (high flow at low pressure)
Coil voltage	• Voltage and power consumption - see table • All Baccara coil voltages are ± 10% of nominal
Standard protection class	IP65 with connector * Option : IP68 (please refer to GEM-BP Coil)

• Latch valves are available upon request.



Brass



Stainless Steel

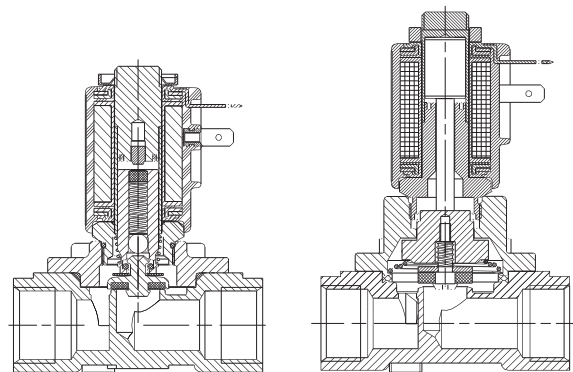
Pressure (bar) & Flow NC, NO

Size	Orifice (mm)	Pressure (bar)			Kv (l/min)
		AC	DC	NO	
1/4"	8	1.5	0.7	0.5	12
3/8"	8	1.5	0.7	0.5	16
1/2"	12	0.8	0.4	0.3	35

Voltage & Power Consumption

V	AC (W)						DC (W)		
	50 Hz			60 Hz			10	5.5	3.5
6							•		
12	•			•			•		
24	•			•			•		
48	•			•			•		
110	•			•			•		
120	•			•					
220	•			•			•		
230	•			•					
240	•			•			•		

• Available options



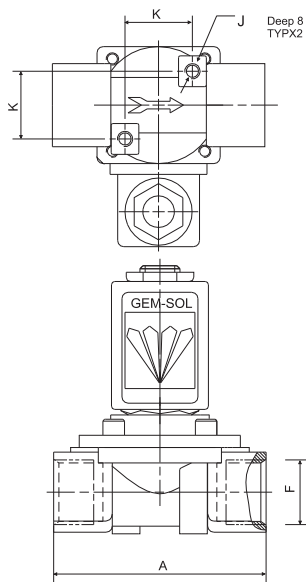
2 Way NC

2 Way NO

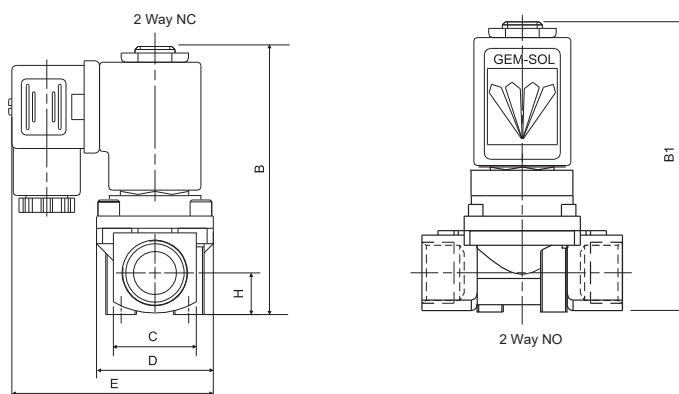
→ Flow direction

GEM-SOL® | L32 (GEM-L) | Low pressure flows 1/4"-1/2" | 2 Way NC, NO

Dimensions



Size	A	B	B1	C	D	E	F	H	J	K	Weight with coil
1/4"-3/8"	58	82	85	22	32	62	1/4"-3/8" BSP/NPT	11	M5x0.8	22	394gr
1/2"	69	85	97	27	38	65	1/2" BSP/NPT	13.5	M5x0.8	22	484gr



How to Order

* When ordering without coil, please define what current and pressure rating is needed (DC, AC)

GEM-L	BODY	PORT	FUNCTION	SEALS	VOLTAGE	POWER	CONNECTOR
	Brass	2 1/4" BSP	20 2W NC	1 NBR N	without coil	0 No coil	0 with
	Stainless Steel *	1/4" NPT	21 2W NO *	2 FKM V	6 ⁽¹⁾	1 AC8W 50Hz	1 with LED
		3/8" BSP *	30	EPDM E	12	2 AC8W 60Hz	2 flying leads coil *
		3/8" NPT *	31		24	3 DC10W	3 with 1/2" Hub
		1/2" BSP	40		48	4	surge protection with LED *
		1/2" NPT	41		110	5	connector with moulded cable
					120	6	other
					220	7A	
					230	7	
					240	8	
					Latch/other *⁽²⁾	9	

* **SPECIAL OPTIONS** | Extended lead times, Non-stock items, MOQ may be applicable

Example : GEM-L-2201N-331

GEM-SOL® L32 (GEM-L) direct operated, Brass, 1/4"BSP, 2W NC, NBR seals, 24VDC 10W with connector

(1) DC only

(2) For specifying Latch type coil, please refer to A3P32 (GEM-A3P)valve - How to Order table.

* To order valves manufactured according to your specific requirements, please contact our technical sales department.

SOLENOID VALVES | GEM-SOL® | General Purpose

Direct Operated

GEM-SOL® | L45 (GEM-L) Special

Low pressure flows 3/4", 1" | 2 Way NC

Technical Data

Function	2 Way NC
Ports size	3/4", 1" BSP & NPT
Pressure range	See table
Kv (l/min)	See table
Temperature range	Fluid : -10°C to 80°C (no freezing) Ambient : -10°C to 50°C
Materials in contact with media	Main Valve: Brass Stainless Steel AISI 316 Solenoid Operator: Stainless Steel AISI 300 & 400 series Seals: NBR, FKM, EPDM, Viton™ Extreme™ ETP-600S
Media	Designed for use in LP gas systems. Also in air, water and vacuum systems : (high flow at low pressure)
Coil voltage	• Voltage and power consumption - see table • All Baccara coil voltages are ± 10% of nominal
Standard protection class	IP65 with connector * Option : IP68 (please refer to GEM-BP Coil)



Brass | 1"

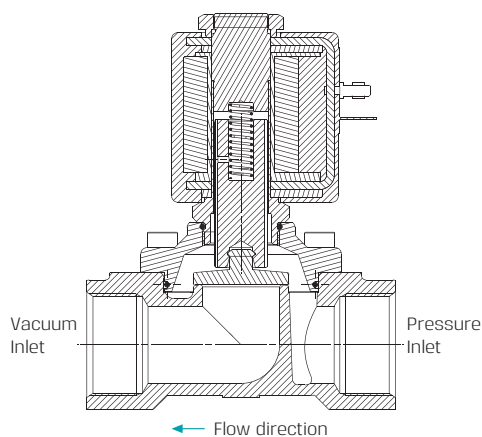
Pressure (bar) & Flow NC

Size	Orifice (mm)	Pressure (bar)	Kv (l/min)
3/4"	20	-1 to 1	80
1"	25		125

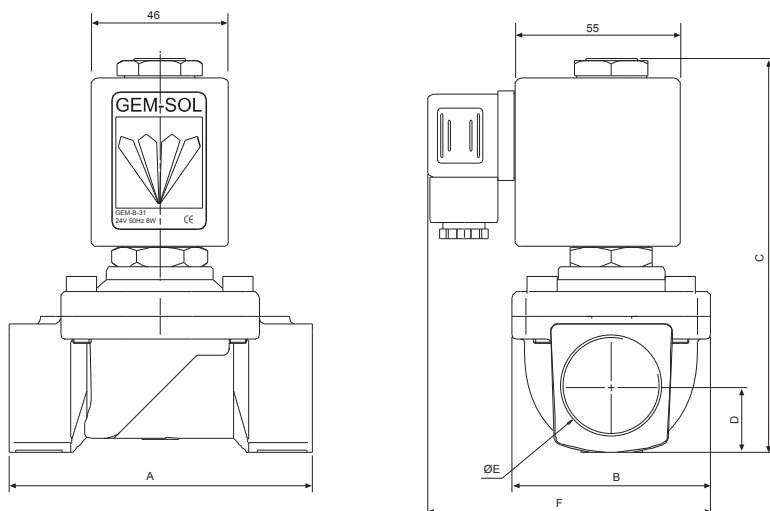
Voltage & Power Consumption

V	AC (W)		DC (W)
	50 Hz	60 Hz	
12			•
24	•		•
120		•	•
230	•		•

• Available options



Dimensions



Size	A	B	C	D	E	F	Weight with coil
3/4"	90	55	119.5	17	3/4" BSP/NPT	87.7	87.7
1"	100	65	128.5	21	1" BSP/NPT	92.7	92.7

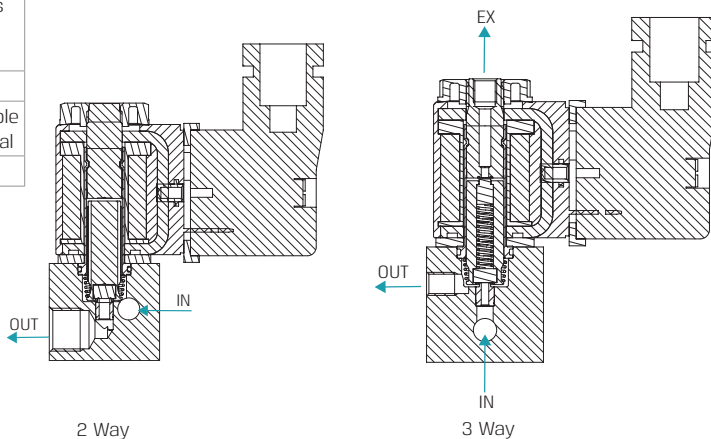
* To order valves manufactured according to your specific requirements, please contact our technical sales department.

GEM-SOL® | M22 (G80-M) Special

Manifold

Technical Data

Function	2 Way, 3 Way
Orifice size	See table
Ports size	1/8" BSP & NPT
Pressure range	See table
Kv (l/min)	See table
Temperature range	Fluid : -10°C to 80°C (no freezing) Ambient : -10°C to 50°C
Mounting	Coil can be mounted in 2 positions at 180° apart and the coil plug can rotate to 2 positions at 180°.
Materials in contact with media	Main Valve: Aluminium Solenoid Operator: Stainless Steel AISI 300 & 400 series, Brass Seals: NBR, FKM, EPDM, FFKM
Media	Air, water, oil
Coil voltage	• Voltage and power consumption - see table • All Baccara coil voltages are ± 10% of nominal
Standard protection class	IP65 with connector



Max. Pressure (bar) 2 Way NC

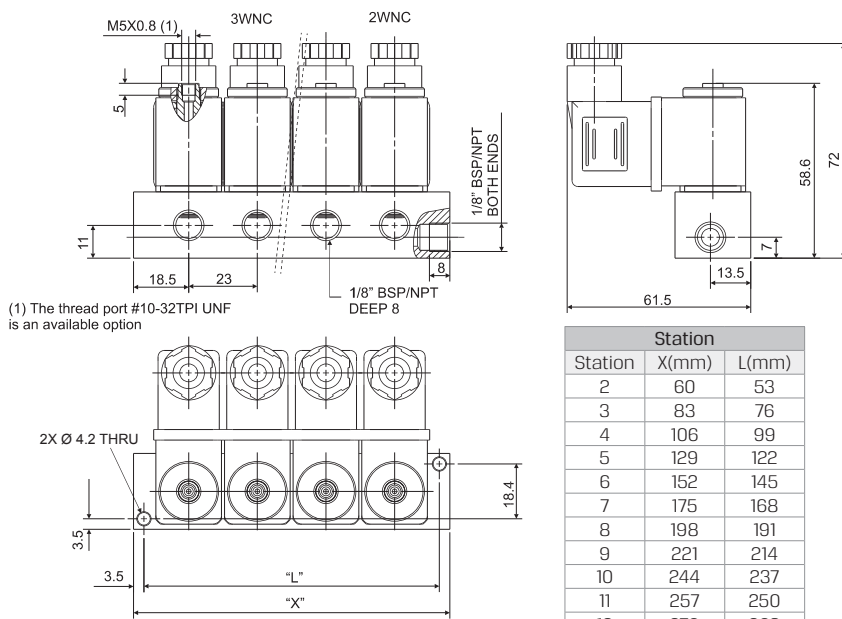
Coil Current/Power	Orifice (mm)			
	1.2	1.6	* 2.0 (1)	* 2.4 (1)
AC - 7.5W	35	35	12	10
AC - 5W	30	15	8	6
DC - 6W	35	20	12	10
DC - 3W	30	15	5	4
Flow factor Kv(l/min)	0.65	1.2	1.6	2

* Bottom orifice only. Top orifice - up to 1.6
(1) For 2 Way NC only

Max. Pressure (bar) 3 Way NC

Coil Current/Power	Orifice (mm)	
	1.2	1.6
AC - 7.5W	12	10.5
AC - 5W	10	7
DC - 6W	12	10.5
DC - 3W	10	7
Flow factor Kv(l/min)	0.65	1

Dimensions



Voltage & Power Consumption

V	AC (W)				DC (W)	
	75	5	6	3	6	3
6					•	•
12	•	•	•	•	•	•
24	•	•	•	•	•	•
110	•	•	•	•		
230	•	•	•	•		

• Available options

* To order manifolds manufactured according to your specific requirements, please contact our technical sales department.

SOLENOID VALVES | GEM-SOL® | General Purpose

Direct Operated

GEM-SOL® | V/VL32 (GEM-V/VL)

Modular Manifold Installation

Technical Data

Function	2 Way, 3 Way NC, NO
Pressure range	<ul style="list-style-type: none"> • See table • Valves for pressure higher than 25 bar cannot be supplied with manual override.
Kv (l/min)	See table
Temperature range	Fluid : -10°C to 80°C (no freezing) Ambient : -10°C to 50°C
Mounting	Vertical, on sub-base, 2 screws M4. Any number of valves on the same sub-base plate. Any combination of 2 Way, 3 Way NC or NO valves may be grouped together. * Standard valve orientation : Manual override and base port on the same side
Materials in contact with media	Manual override: Plastic (Reinforced Nylon), Brass screw or finger knob. NOa* - manual override is not available. *pressure is supplied through the base Main Valve: Brass Solenoid Operator: Stainless Steel AISI 300 & 400 series Seals: NBR, FKM, EPDM, FFKM, PTFE
Media	Air, water, oil
Coil voltage	<ul style="list-style-type: none"> • Voltage and power consumption - see table • All Baccara coil voltages are $\pm 10\%$ of nominal
Standard protection class	IP65 with connector * Option : IP68 (please refer to GEM-BP Coil)

- Latch valves are available upon request.
- Pressure separation plug is available.

Two types of NO valves :

- Supply pressure is through the base like NC valves. These valves can be combined in a standard manifold. They are not supplied with manual override.
- Supply pressure is through the tube. These valves cannot be combined in a standard manifold. They are supplied with manual override.

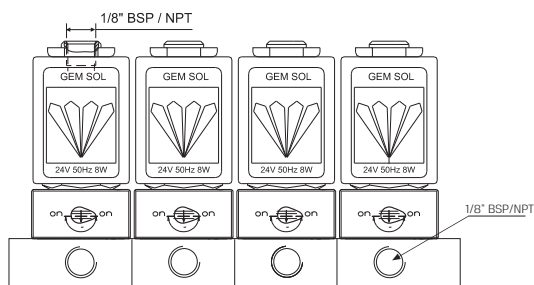
When using a manifold with more than 8 stations, it is advisable to use two air supplies, one at each end.



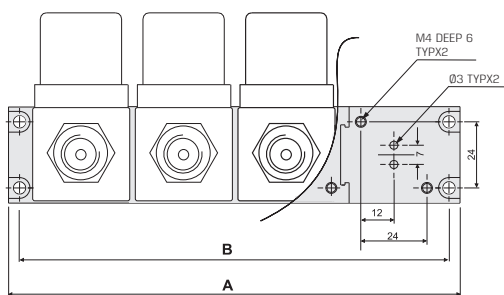
Brass | 5 valves

GEM-SOL® | V/VL32 (GEM-V/VL) | Modular Manifold Installation

Dimensions



*Standard valve orientation : Manual override and base port on the same side



$$A = 80 + (n - 2) \times 33$$

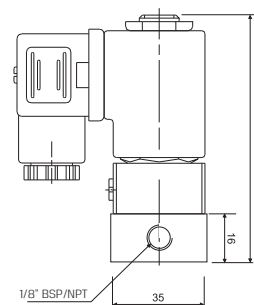
$$B = 72 + (n - 2) \times 33$$

n = the number of valves

Example : For 6 Valves

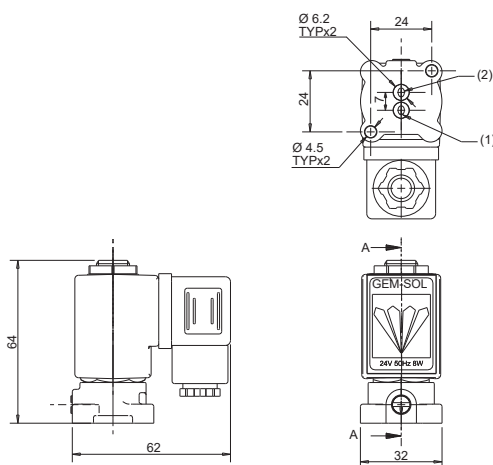
$$A = 80 + 4 \times 33 = 212$$

$$B = 72 + 4 \times 33 = 204$$



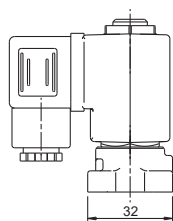
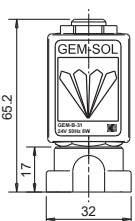
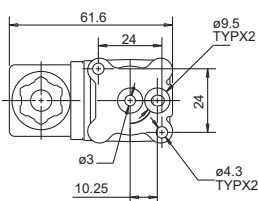
*Pressure separation plug can be ordered on request.

TYPE V32

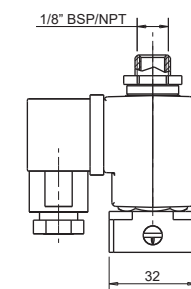
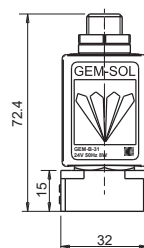
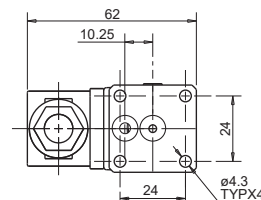


TYPE VL32

Brass Forging
2 Way / 3 Way NC



Aluminium / Stainless Steel
3 Way NO through base

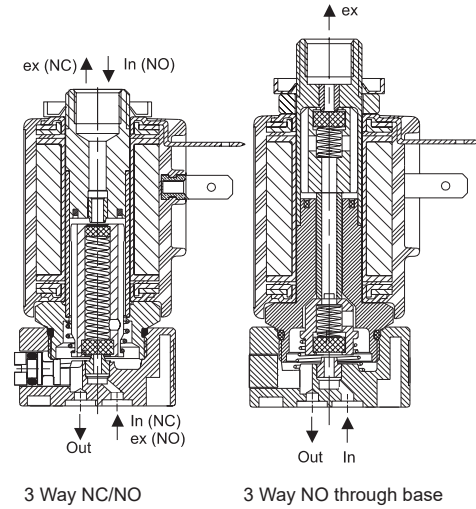
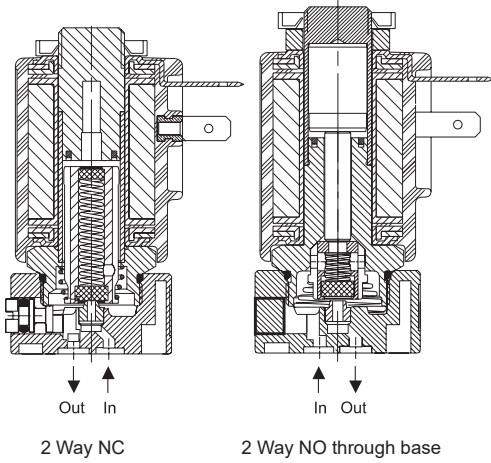


SOLENOID VALVES | GEM-SOL® | General Purpose

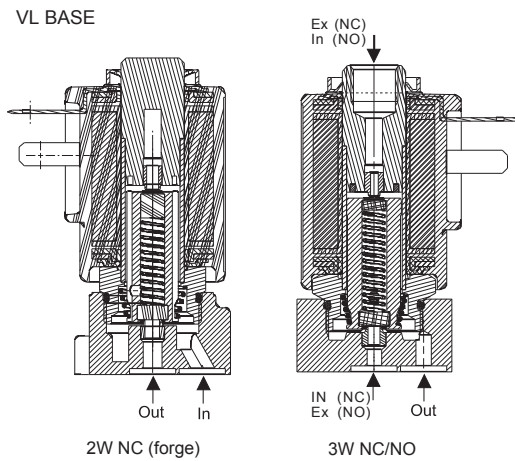
Direct Operated

GEM-SOL® | V/VL32 (GEM-V/VL) | Modular Manifold Installation

Type V32 (GEM-V) 2 Way, 3 Way NC, NO



Type VL32 (GEM-VL) 2 Way, 3 Way NC, NO



Size : Any number of stations, built from three basic components: left end section, right end section and middle section.
 Assembly : Push in and turn 90° clockwise
 Port size : 1/8" BSP or NPT
 Material : Brass

Max. Pressure (bar) 2 Way, 3 Way NC

Coil Current/Power	Orifice (mm)						
	0.8	1.2	1.6	2.0	2.4	3.0	4.0 ⁽¹⁾
• ADC	23	20	15	10	8	5.5	2.5
AC8W, DC10W	35	30	17	14	10	6	3
AC5.5W	23	20	15	10	8	5.5	2.5
AC2.5W, DC5.5W, DC3.5W	20	16	10	9	5	4	1.6
Flow factor Kv(l/min)	0.6	1.1	1.7	2.5	3.5	4.5	5

Max. Pressure (bar) 2 Way, 3 Way NO

Coil Current/Power	Orifice (mm)						
	0.8	1.2	1.6	2.0	2.4	3.0	4.0 ⁽¹⁾
• ADC	25	20	15	11	8	6	4.5
*AC8W, DC10W	30	22	17	12	10	7	4.5
*AC5.5W, DC5.5W	25	20	15	11	8	6	
*AC2.5W, DC3.5W	20	18	12	8	6	4	
Flow factor Kv(l/min)	0.6	1	1.4	2.2	3.0	3.5	5

(1) 4.0 - Bottom orifice only. Available in 2 Way only
 * These are not applicable for NO through base valves
 • ADC valves are only suitable for use with AC8W or DC10W coils.

How to Order manifold components

GEM-V	PORT	COMPONENT	BODY
1/8" BSP	10	Left 1	Brass 2
1/8" NPT	11	Right 2	
		Middle 3	

Example : GEM-V-1022

V32 (GEM-V) type manifold 1/8" BSP, right component, Brass body

Voltage & Power Consumption

V	AC (W)						DC (W)		
	50 Hz			60 Hz			10	5.5	3.5
8	8	5.5	2.5	8	5.5	2.5			
6							•	•	•
12	•			•			•	•	•
24	•	•	•	•	•	•	•	•	•
48	•			•			•		
110	•			•	•		•		
120	•			•	•				
220	•	•	•	•			•		
230	•	•		•	•				
240	•			•			•		

• Available options

GEM-SOL® | V/VL32 (GEM-V/VL) | Modular Manifold Installation

How to Order | V32 (GEM-V) Manifold | all valves having identical functions

GEM-V	No. of VALVES / No. of STATIONS		PORT	BODY	FUNCTION	ORIFICE	SEALS	MANUAL OVERRIDE	VOLTAGE	POWER	CONNECTOR							
	specify quantity	specify quantity without manifold																
	10	0	1/8" BSP	Brass	2W NC	1	0.8	1	NBR	N	None	0	without coil	0	No coil	0	with	1
			1/8" NPT		2W NO	2	1.2	2	FKM	V	Plastic *	1	6 ⁽³⁾	1	AC8W 50Hz	1	with LED	2
					2W NO ⁽¹⁾	2a	1.6	3	EPDM	E	Slot	2	12	2	AC8W 60Hz	2	flying leads coil *	4
					3W NC	3	2.0	4	FFKM	K	Knob *	3	24	3	DC10W	3	with 1/2" Hub	5
					3W NO	4	2.4	5	PTFE *	T	Knob *	3	48	4	AC5.5W 50Hz	4	surge protection with LED *	6
					3W NO *⁽⁴⁾	4a	4.0⁽²⁾	7			Push lock	5	110	5	AC5.5W 60Hz	5	connector with moulded cable	7
													120	6	AC2.5W 50/60Hz	6	other	9
													220	7A	DC5.5W	7		
													230	7	DC3.5W	8		
													240	8				
													Latch/ other *⁽⁴⁾	9				

Example : GEM-V-6/6-10232V2-331

GEM-SOL® V32 (GEM-V) direct operated 6/6 Stations, 1/8" BSP, Brass, 3WNC, 1.2, FKM, slot manual override, 24VDC 10W with connector

(1) Supply pressure through base

(2) 4.0 - Bottom orifice only. Available in 2 Way only

(3) DC only

(4) For specifying Latch type coil, please refer to A3P32 (GEM-A3P)valve - How to Order table

* **SPECIAL OPTIONS** | Extended lead times, Non-stock items, MOQ may be applicable

How to Order | V32 (GEM-V) | individual valves with independent functions

GEM-V	No. of VALVES / No. of STATIONS		PORT	BODY	FUNCTION	ORIFICE	SEALS	MANUAL OVERRIDE	ADDITIONAL FEATURE	VOLTAGE	POWER	CONNECTOR
	specify quantity	specify quantity										
As above table												

V32 (GEM-V) Direct Operated sub-base :

Example : GEM-V-3/6-10242NO-331 :

3/6 Stations with 1/8" BSP Brass, 3WNO, 1.2, NBR, no M/O, 24VDC 10W with connector

Example : GEM-V-1/6-10212NO-331 :

1/6 Stations with 1/8" BSP Brass, 2WNC, 1.2, NBR, no M/O, 24VDC 10W with connector

How to Order | V32 (GEM-V) Body

GEM-V-BODY	PORT	BODY	FUNCTION	ORIFICE	SEALS	MANUAL OVERRIDE	VOLTAGE	POWER	CONNECTOR									
										No. of VALVES	No. of STATIONS							
	1/8" BSP	10	Brass	2	2W NC	1	0.8	1	NBR	N	None	0	without coil	0	No coil	0	with	1
	1/8" NPT	11			2W NO	2	1.2	2	FKM	V	Plastic *	1	6 ⁽³⁾	1	AC8W 50Hz	1	with LED	2
					2W NO ⁽¹⁾	2a	1.6	3	EPDM	E	Slot	2	12	2	AC8W 60Hz	2	flying leads coil *	4
					3W NC	3	2.0	4	FFKM	K	Knob *	3	24	3	DC10W	3	with 1/2" Hub	5
					3W NO	4	2.4	5	PTFE *	T	Knob *	3	48	4	AC5.5W 50Hz	4	surge protection with LED *	6
					3W NO *⁽⁴⁾	4a	4.0⁽²⁾	7			Push lock	5	110	5	AC5.5W 60Hz	5	connector with moulded cable	7
													120	6	AC2.5W 50/60Hz	6	other	9
													220	7A	DC5.5W	7		
													230	7	DC3.5W	8		
													240	8				
													Latch/ other *⁽⁴⁾	9				

Example : GEM-V-BODY-10232V2-331

GEM-SOL® V32-Body (GEM-V-BODY), direct operated, 1/8" BSP, Brass, 3WNC, 1.2, FKM, slot manual override, 24 VDC 10W with connector

(1) Supply pressure through base

(2) 4.0 - Bottom orifice only. Available in 2 Way only

(3) DC only

(4) For specifying Latch type coil, please refer to A3P32 (GEM-A3P)valve - How to Order table

* **SPECIAL OPTIONS** | Extended lead times, Non-stock items, MOQ may be applicable

How to Order | VL32 (GEM-VL)

GEM-VL	PORT	BODY	FUNCTION	ORIFICE	SEALS	MANUAL OVERRIDE	VOLTAGE	POWER	CONNECTOR									
										No. of VALVES	No. of STATIONS							
	1/8" BSP	10	Brass	2	2W NC	1	0.8	1	NBR	N	None	0	without coil	0	No coil	0	with	1
	1/8" NPT	11			2W NO	2	1.2	2	FKM	V	Plastic *	1	6 ⁽³⁾	1	AC8W 50Hz	1	with LED	2
					2W NO ⁽¹⁾	2a	1.6	3	EPDM	E	Slot	2	12	2	AC8W 60Hz	2	flying leads coil *	4
					3W NC	3	2.0	4	FFKM	K	Knob *	3	24	3	DC10W	3	with 1/2" Hub	5
					3W NO	4	2.4	5	PTFE *	T	Knob *	3	48	4	AC5.5W 50Hz	4	surge protection with LED *	6
					3W NO *⁽⁴⁾	4a	4.0⁽²⁾	7			Push lock	5	110	5	AC5.5W 60Hz	5	connector with moulded cable	7
													120	6	AC2.5W 50/60Hz	6	other	9
													220	7A	DC5.5W	7		
													230	7	DC3.5W	8		
													240	8				
													Latch/ other *⁽⁴⁾	9				

Example : GEM-VL-10211V0-331

GEM-SOL® VL32 (GEM-VL) direct operated, 1/8" BSP, Brass, 2WNC, 0.8, FKM, no manual override, 24 VDC 10W with connector

(1) Supply pressure through base

(2) 4.0 - Bottom orifice only. Available in 2 Way only

(3) DC only

(4) For specifying Latch type coil, please refer to A3P32 (GEM-A3P)valve - How to Order table

* **SPECIAL OPTIONS** | Extended lead times, Non-stock items, MOQ may be applicable

* To order manifolds manufactured according to your specific requirements, please contact our technical sales department.

SOLENOID VALVES | GEM-SOL® | General Purpose Pilot Operated

GEM-SOL® | S32 (GEM-S)

1/4"-1" | 2 Way NC, NO



Brass | 1/4"



Stainless Steel | 1/2"



Plastic | 1/2"

Technical Data

Function	2 Way NC, NO
Ports size	1/4", 3/8", 1/2" * , 3/4", 1" BSP & NPT * Plastic is only available in 1/2"
Pressure range	See table *Minimum pressure differential of 0.3 or 0.5 is required
Kv (l/min)	See table
Temperature range	Fluid : -10°C to 80°C (no freezing) * * For Plastic : 5°C to 50°C (no freezing) Ambient : -10°C to 50°C
Materials in contact with media	Manual override: Plastic - Unavailable NC - Brass screw NOa* - Unavailable *pressure is supplied through the base Main Valve: Brass, Stainless Steel AISI 316, Plastic (Reinforced Nylon) Solenoid Operator: Stainless Steel AISI 300 & 400 series Seals: NBR, FKM, EPDM
Coil voltage	• Voltage and power consumption - see table • All Baccara coil voltages are ± 10% of nominal
Standard protection class	IP65 with connector * Option : IP68 (please refer to GEM-BP Coil)

- Slow closing system to prevent water hammer effect

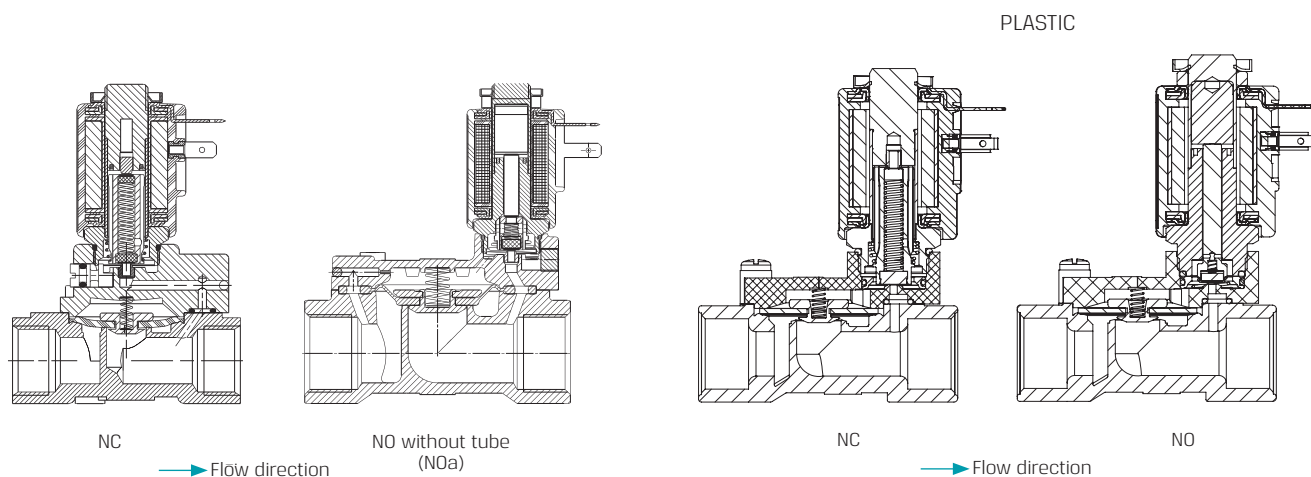
Voltage & Power Consumption

V	AC (W)						DC (W)		
	50 Hz			60 Hz			10	5.5	3.5
6							•		
12	•			•			•		
24	•	•*		•			•		
48	•			•			•		
110	•			•			•		
120	•			•	•*				
220	•	•*		•			•		
230	•			•	•*				
240	•			•			•		

- Available options

* Only for NC

GEM-SOL® | S32 (GEM-S) | 1/4"-1" | 2 Way NC, NO



Pressure (bar) & Flow NO/NC GEM-S-□-20...41

Size	Orifice (mm)	Pressure (bar)		Kv (l/min)
		AC, DC	ADC	
1/4"	8	0.5 to 20	0.5 to 15	12
3/8"	8			16
1/2"	12			35

Pressure (bar) & Flow NO/NC GEM-S-□-40 & 41 | Plastic

Size	Orifice (mm)	Pressure (bar)	Kv (l/min)
		AC, DC	
1/2"	12	0.5 to 12	35

Pressure (bar) & Flow NO/NC GEM-S-□-□r

Size	Orifice (mm)	Pressure (bar)		Kv (l/min)
		AC, DC	ADC	
1/2"	16	0.5 to 20	0.5 to 15	60

Pressure (bar) & Flow NO/NC GEM-S-□-50...60

Size	Orifice (mm)	Pressure range (bar)	Kv (l/min)
		AC, DC & ADC	
3/4"	20	0.3 to 15	130
1"	25	0.5 to 15	200

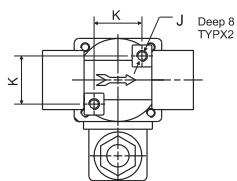
* To order valves manufactured according to your specific requirements, please contact our technical sales department.

SOLENOID VALVES | GEM-SOL® | General Purpose

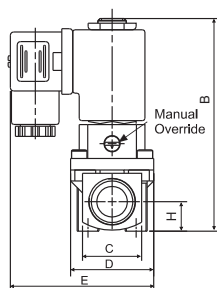
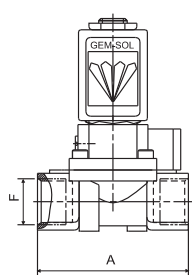
Pilot Operated

GEM-SOL® | S32 (GEM-S) | 1/4"-1" | 2 Way NC, NO

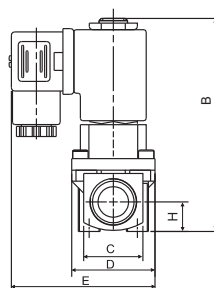
Dimensions



Size	A	B	C	D	E	F	H	J	K	Weight with coil
1/4"-3/8"	58	89	22	32	62	1/4"-3/8" BSP/NPT	11	M5x0.8	22	466gr
1/2"	70	95	27	38	70	1/2" BSP/NPT	13.5	M5x0.8	22	562gr

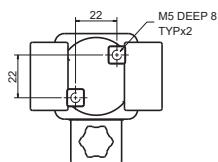
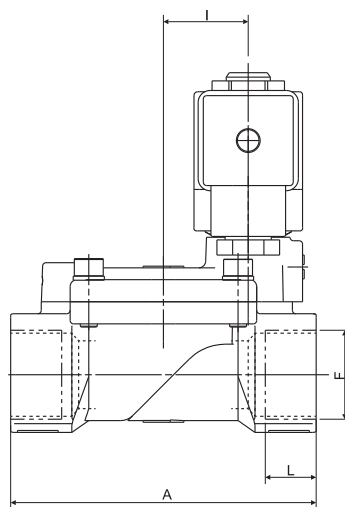
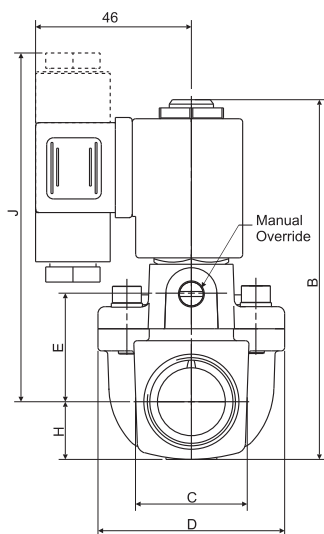


NC

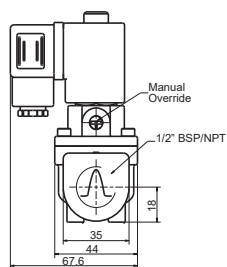
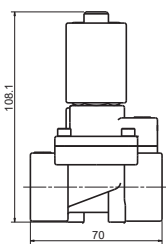


NOa

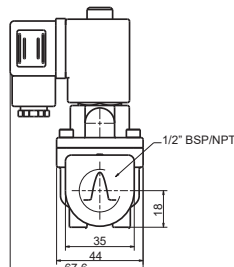
Size	A	B	C	D	E	H	L	I	J
3/4" BSP/NPT	90	106	32	55	32	17	15	25	103
1" BSP/NPT	100	112.5	38.5	65	34	21	16	29.5	109.50



GEM-S-4□r (16 mm orifice)

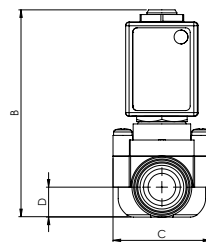
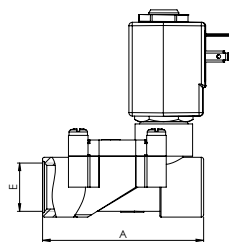


NC

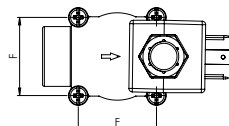


NOa

Plastic 1/2"



Function	A	B	C	D	E	F
NC	70	90	42.5	13	1/2"	34
NO	70	93.4	42.5	13	1/2"	34



GEM-SOL® | S32 (GEM-S) | 1/4"-1" | 2 Way NC, NO

How to Order

GEM-S	BODY	PORT	FUNCTION	SEALS	MANUAL OVERRIDE ⁽⁴⁾	VOLTAGE	POWER	CONNECTOR	
	Brass	2 1/4" BSP	20 2W NC	1 NBR N	None * 0	without coil	0 No coil	0 with	1
	Stainless Steel	3 1/4" NPT	21 2W NO ⁽²⁾ through base	2a FKM * ⁽³⁾ V	Slot	2 6 ⁽⁵⁾	1 AC8W 50Hz	1 with LED	2
	Plastic ⁽¹⁾ *	4 3/8" BSP	30	EPDM E	Knob * 3	12	2 AC8W 60Hz	2 flying leads coil *	4
		3/8" NPT	31			24	3 DC10W	3 with 1/2" Hub	5
		1/2" BSP	40			48	4 AC5.5W 50Hz ⁽⁷⁾	4 surge protection with LED *	6
		1/2" NPT	41			110	5 AC5.5W 60Hz ⁽⁷⁾	5 connector with moulded cable	7
		3/4" BSP	50			120	6	other	9
		3/4" NPT	51			220	7A		
		1" BSP	60			230	7		
		1" NPT	61			240	8		
								Latch/other * ⁽⁶⁾ 9	

* **SPECIAL OPTIONS** | Extended lead times, Non-stock items, MOQ may be applicable

Example : GEM-S-2202aNO-321

GEM-SOL® S32 (GEM-S) pilot operated, Brass, 1/4" BSP, 2W NO through base, NBR seals, no manual override, 24V AC8W 60Hz with connector

(1) Plastic is only available in 1/2"

(2) Manual Override unavailable

(3) For Metal : 3/4" and 1" | Plastic : 1/2"

(4) Unavailable in Plastic

(5) DC only

(6) For specifying Latch type coil, please refer to A3P32 (GEM-A3P)valve - How to Order table

(7) Only for NC

* **Note:** When ordering without coil, please define what current and pressure rating is needed (DC, AC or ADC), otherwise an ADC valve will be supplied. For Plastic, please define either DC or AC.

How to Order

GEM-S	BODY	PORT	FUNCTION	SEALS	MANUAL OVERRIDE	VOLTAGE	POWER	CONNECTOR	
	Brass	2 1/2" BSP * 40r	2W NC	1 NBR N	None * 0	without coil	0 No coil	0 with	1
		1/2" NPT * 41r	2W NO ⁽¹⁾ through base	2a FKM V	Slot	2 6 ⁽²⁾	1 AC8W 50Hz	1 with LED	2
				EPDM E	Knob * 3	12	2 AC8W 60Hz	2 flying leads coil *	4
						24	3 DC10W	3 with 1/2" Hub	5
						48	4 AC5.5W 50Hz ⁽⁴⁾	4 surge protection with LED *	6
						110	5 AC5.5W 60Hz ⁽⁴⁾	5 connector with moulded cable	7
						120	6	other	9
						220	7A		
						230	7		
						240	8		
								Latch/other * ⁽³⁾ 9	

* **SPECIAL OPTIONS** | Extended lead times, Non-stock items, MOQ may be applicable

Example : GEM-S-240r1N2-321 (16mm orifice size)

GEM-SOL® S32 (GEM-S) pilot operated, Brass, 1/2" BSP, 2W NC, NBR seals, slot manual override, 24V AC8W 60Hz with connector

(1) Manual Override unavailable

(2) DC only

(3) For specifying Latch type coil, please refer to A3P32 (GEM-A3P)valve - How to Order table

(4) Only for NC

* **Note:** When ordering without coil, please define what current and pressure rating is needed (DC, AC or ADC), otherwise an ADC valve will be supplied.

* To order valves manufactured according to your specific requirements, please contact our technical sales department.

SOLENOID VALVES | GEM-SOL® | General Purpose Pilot Operated

GEM-SOL® | Z32 (GEM-Z)

Zero Differential Pressure 1/4"-3/4" | 2 Way NC, NO

Technical Data

Function	2 Way NC, NO
Ports size	1/4", 1/2", 3/4" BSP & NPT
Pressure range	See table * For plastic body, maximum working pressure is 4 bar
Kv (l/min)	See table
Temperature range	Fluid : -10°C to 80°C (no freezing) Ambient : -10°C to 50°C
Materials in contact with media	Main Valve: Brass, Stainless Steel AISI 316, Plastic (Reinforced Nylon)* * Plastic (Reinforced Nylon): only available in 1/2" Solenoid Operator: Stainless Steel AISI 300 & 400 series Seals: NBR, FKM, EPDM
Media	Air, water, oil
Coil voltage	• Voltage and power consumption - see table • All Baccara coil voltages are ± 10% of nominal
Standard protection class	IP65 with connector * Option : IP68 (please refer to GEM-BP Coil)

- When switching from an AC to a DC coil, the solenoid operator must be changed as well.
- Can be used in vacuum application from -1 bar to maximum pressure - see tables.



Brass | 1/2" | NC



Plastic | 1/2" | NC



Stainless Steel | 1/2" | NC

Pressure (bar) & Flow NC

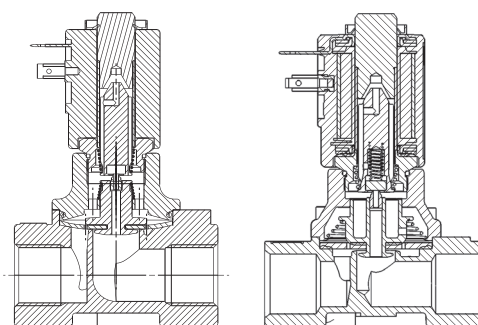
Size	Orifice (mm)	Pressure (bar)		Kv (l/min)
		AC	DC	
1/4"	8	0 to 14	0 to 7	12
1/2"	12	0 to 14	0 to 8	18

Pressure (bar) & Flow NC (GEM-Z-□□r)

Size	Orifice (mm)	Pressure (bar)		Kv (l/min)
		AC	DC	
1/2"	16	0 to 10	0 to 6	60
3/4"	16	0 to 10	0 to 6	80

Pressure (bar) & Flow NO

Size	Orifice (mm)	Pressure (bar)		Kv (l/min)
		AC	DC	
1/4"	8	0 to 8	0 to 8	12
1/2"	12	0 to 8	0 to 8	20



GEM-Z□r

→ Flow direction

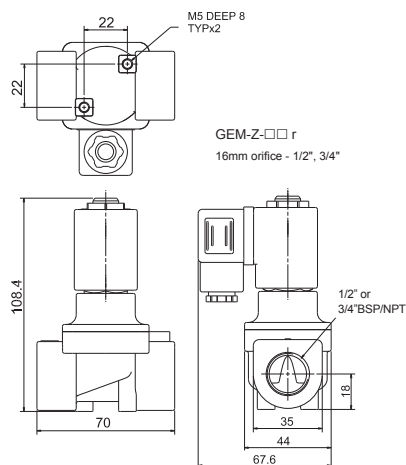
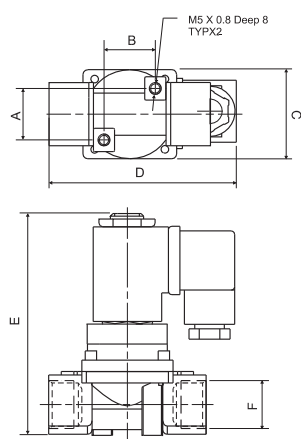
Voltage & Power Consumption

V	AC (W)						DC (W)		
	8	5.5	2.5	8	5.5	2.5	10	5.5	3.5
6							•		
12	•			•			•		
24	•			•			•		
48	•			•			•		
110	•			•			•		
120	•			•					
220	•			•			•		
230	•			•					
240	•			•			•		

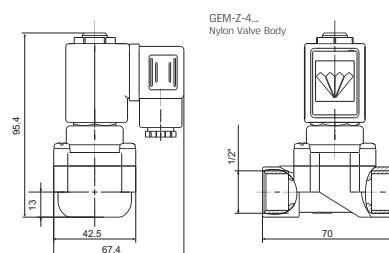
- Available options

GEM-SOL® | Z32 (GEM-Z) | Zero Differential Pressure 1/4"-3/4" | 2 Way NC, NO

Dimensions



Size	A	B	C	D	E	F	Weight with coil
1/4"	22	22	32	58	89	1/4" BSP/NPT	415gr.
1/2"	22	22	38	70	95	1/2" BSP/NPT	530gr.



How to Order

* When ordering without coil, please define what current and pressure rating is needed (DC, AC)

GEM-Z	BODY	PORT	FUNCTION	SEALS	VOLTAGE	POWER	CONNECTOR						
Brass	2	1/4" BSP	20	2W NC	1	NBR	N	W/out coil	0	No coil	0	with	1
Stainless Steel	3	1/4" NPT	21	2W NO* ⁽⁵⁾	2a	FKM	V	6 ⁽⁶⁾	1	AC8W 50Hz	1	with LED	2
Plastic ⁽¹⁾	4	1/2" BSP	40			EPDM	E	12	2	AC8W 60Hz	2	flying leads coil*	4
		1/2" NPT	41					24	3	DC10W	3	with 1/2" Hub	5
		1/2" BSP* ^{(2) (3)}	40r					48	4			surge protection with LED*	6
		1/2" NPT * ^{(2) (3)}	41r					110	5			connector with moulded cable	7
		3/4" BSP* ^{(3) (4)}	50r					120	6			other	9
		3/4" NPT* ^{(3) (4)}	51r					220	7A				
								230	7				
								240	8				
								Latch/other ⁽⁷⁾	9				

* **SPECIAL OPTIONS** | Extended lead times, Non-stock items, MOQ may be applicable

Example : GEM-Z-2401N-221

GEM-SOL® Z32 (GEM-Z) Zero Differential, Brass, 1/2" BSP, 2W NC, NBR, 12V AC8W 60Hz with connector.

- (1) Only available in 1/2"
- (2) Not available in Stainless Steel
- (3) 16mm orifice
- (4) Only for Stainless Steel 16mm orifice
- (5) NO function without M/O, not available for GEM-Z-□□r
- (6) DC only
- (7) For specifying Latch type coil, please refer to A3P32 (GEM-A3P) valve - How to Order table

* To order valves manufactured according to your specific requirements, please contact our technical sales department.

SOLENOID VALVES | GEM-SOL® | General Purpose

Pilot Operated

GEM-SOL® | SM32 (GEM-SM)

Manifold 1/4", 1/2" | 2 Way NC, NO

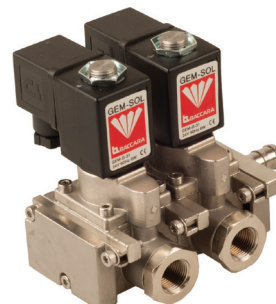
Technical Data

Function	2 Way NC, NO
Ports size	1/4", 1/2" BSP & NPT
Pressure range	See table *Minimum pressure differential of 0.3 or 0.5 is required
Kv (l/min)	See table
Temperature range	Fluid : -10°C to 80°C (no freezing) Ambient : -10°C to 50°C
Materials in contact with media	Manual override: NC/NO - Brass screw Main Valve: Brass Stainless Steel AISI 316 Solenoid Operator: Stainless Steel AISI 300 & 400 series Seals: NBR, FKM, EPDM
Assembly	<ul style="list-style-type: none"> Stations attached by 3 screws End stations are either with ports or plugged
Coil voltage	<ul style="list-style-type: none"> Voltage and power consumption - see table All Baccara coil voltages are ± 10% of nominal
Standard protection class	IP65 with connector * Option : IP68 (please refer to GEM-BP Coil)

- When using a manifold with more than 8 stations, it is advisable to use two air supplies, one at each end
- It is possible to combine functions on one manifold
- Slow closing system to prevent water hammer effect
- Pressure separation plug between stations is available.



4 Station Manifold | Brass



2 Station Manifold | Stainless Steel

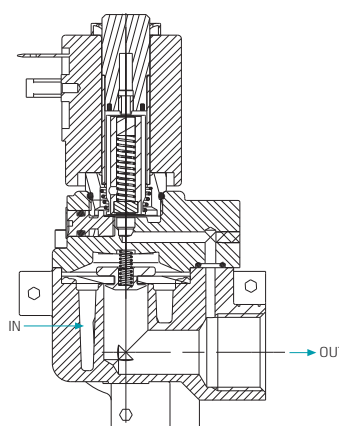
Pressure (bar) & Flow

Size	Orifice (mm)	Pressure (bar)	Kv(l/min)
1/4"	8	0.5 to 20	12
1/2"	12		35

Voltage & Power Consumption

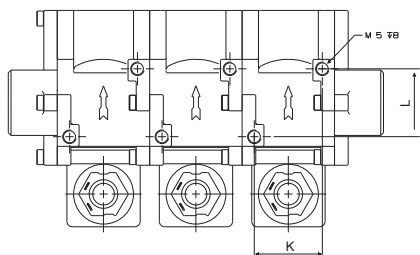
V	AC (W)						DC (W)		
	50 Hz			60 Hz			10	5.5	3.5
6							•		
12	•			•			•		
24	•			•			•		
48	•			•			•		
110	•			•			•		
120	•			•			•		
220	•			•			•		
230	•			•			•		
240	•			•			•		

- Available options



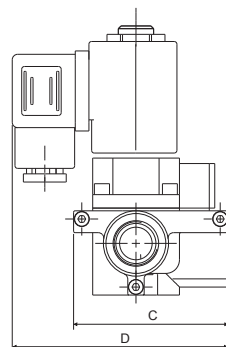
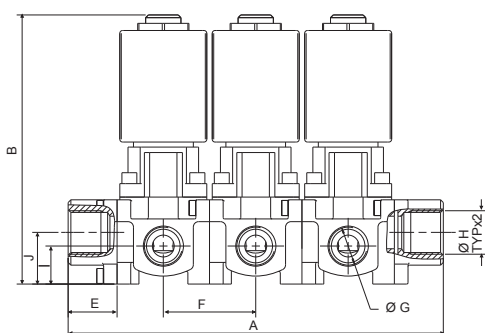
GEM-SOL® | SM32 (GEM-SM) | 1/4", 1/2" | 2 Way NC, NO

Dimensions



Size	A	B	C	D	E	F	G	H	I	J	K	L
1/4"	36+34xN*	99	57	80	18	34	1/4" BSP/NPT	3/8" BSP/NPT	14	19	25	25
1/2"	40+40xN*	112.8	67	83.9	20	40	1/2" BSP/NPT	1/2" BSP/NPT	21	26	32	32

*N - Number of stations



How to Order

GEM-SM	No. of STATIONS	BODY	PORT	FUNCTION	SEALS	MANUAL OVERRIDE	-	VOLTAGE	POWER	CONNECTOR				
	specify quantity	Brass	2 1/4" BSP ⁽¹⁾	20 2W NC	1 NBR	N	None *	0	without coil	0	with	1		
		Stainless Steel *	3 1/4" NPT ⁽¹⁾	21 2W NO	2 FKM	V	Slot	2	6 ⁽²⁾	1	AC8W 50Hz	1	with LED	2
			1/2" BSP * 40				EPDM	E	Knob *	3			with 1/2" Hub	5
			1/2" NPT * 41										surge protection with LED *	6
													connector with moulded cable	7
													other	9
									110	5				
									120	6				
									220	7A				
									230	7				
									240	8				
									Latch/other ⁽³⁾	9				

* SPECIAL OPTIONS | Extended lead times, Non-stock items, MOQ may be applicable

Example : GEM-SM-022202V2-321

GEM-SOL® SM32 (GEM-SM) pilot operated, 2 stations, Brass, 1/4" BSP, 2W NO, FKM, slot manual override, 24VAC 8W 60Hz with connector.

(1) Only available in Brass

(2) DC only

(3) For specifying Latch type coil, please refer to A3P32 (GEM-A3P)valve - How to Order table

* Note: When ordering without coil, please define what current and pressure rating is needed (DC, AC or ADC), otherwise an ADC valve will be supplied.

* To order manifolds manufactured according to your specific requirements, please contact our technical sales department.

SOLENOID VALVES | GEM-SOL® | General Purpose Pilot Operated

GEM-SOL® | SE32 (GEM-SE) Special

General Purpose 1/4"-1/2" | 3 Way

Technical Data

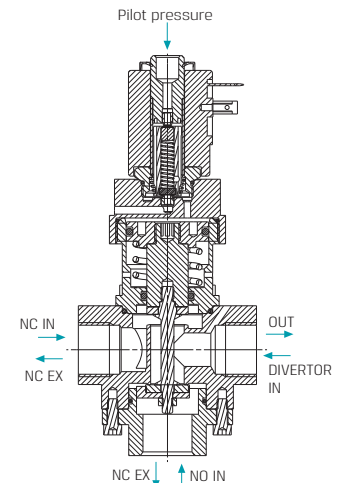
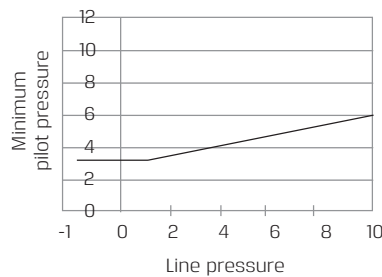
Function	3 Way General purpose
Ports size	1/4", 3/8", 1/2" BSP & NPT
Pressure range	• See table * Min. pilot pressure : 1.5 bar (for other, see graph)
Kv (l/min)	See table
Temperature range	Fluid : -10°C to 80°C (no freezing) Ambient : -10°C to 50°C
Materials in contact with media	Main Valve: Brass Solenoid Operator: Stainless Steel AISI 300 & 400 series Seals: NBR, FKM, EPDM Piston seal PU* * other seals available upon request
Media	Air, water, oil
Standard protection class	IP65 with connector * Option : IP68 (please refer to GEM-BP Coil)



Brass | 1/4"

Pressure (bar) & Flow

Size	Orifice(mm)	Pressure (bar)	Kv(l/min)
1/4"	8	0 to 10	12
3/8"	12		16
1/2"	12		35



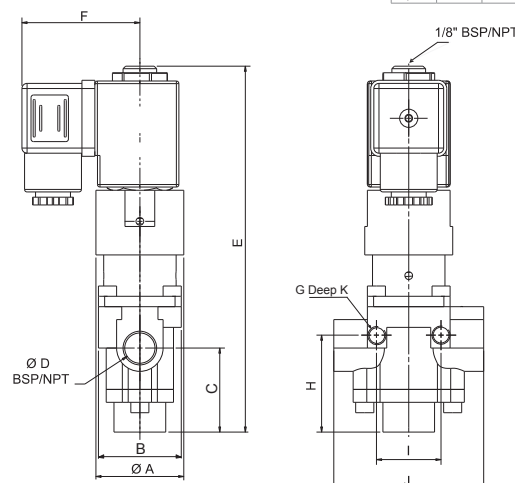
Voltage & Power Consumption

V	AC (W)						DC (W)		
	50 Hz			60 Hz			10	5.5	3.5
6							•	•	
12	•				•		•	•	
24	•	•			•	•	•		
48	•				•		•		
110	•				•	•	•		
120	•				•		•		
220	•	•			•		•		
230	•	•			•	•	•		
240	•				•		•		

• Available options

Size	A	B	C	D	E	F	G	H	I	J	K
1/4"	34	32	32.5	1/4"	141.5	45.6	M4	37.5	25	58	6
3/8"	45	38	41	3/8"	155	45.6	M5	47	30	69	7
1/2"				1/2"							

Dimensions





SOLENOID VALVES

GEM-SOL[®] | SPECIAL PURPOSE

PROPORTIONAL	40
HIGH PRESSURE	46
ISOLATED	48
PINCH VALVES	52
REFRIGERATION	55
LATCH	56
LONG DISTANCE	58
SUB-BASE	60
GEM SOL [®] IP68 COIL	62

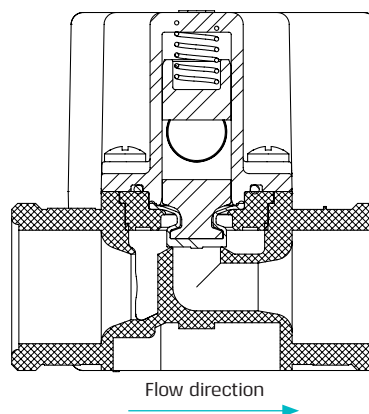


GEM-SOL® | CPR (GEM-CPR) Special

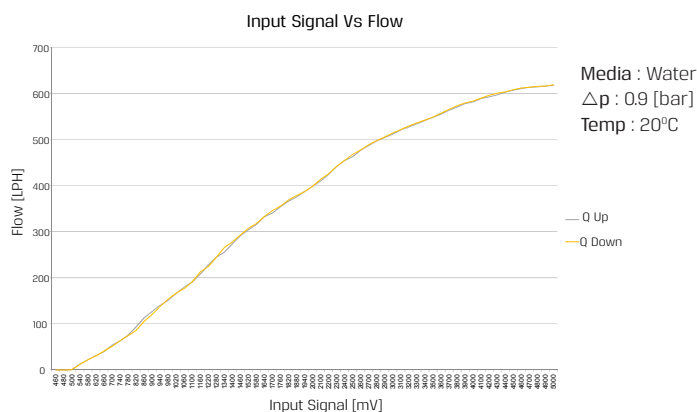
Precise Isolated Proportional 2 Way NC

Technical Data

Function	2 Way NC (with back-up battery)
Ports size	1/2" BSP & NPT
Orifice size	8mm (Up to 600 l/hour)
Pressure range	<ul style="list-style-type: none"> Vacuum applications : (-1) - 0 Bar Pressure applications : 0 - (+1) Bar *For other pressures, please consult our technical sales department
Temperature range	Fluid : -10° to 45°C (no freezing) Ambient : -10°C to 45°C
Materials	In contact with media : Valve body : <ul style="list-style-type: none"> Standard : PVC (UV Protection) Optional : According to customer demand or application (e.g Stainless steel) Diaphragm & seals : FKM, EPDM Not in contact with media : Operator housing : PP (UV protection) Manual override : Acetal (Manual override is standard)
Media	<ul style="list-style-type: none"> Liquids & Gases *Please consult our technical sales department for a specific media <ul style="list-style-type: none"> Application examples : <ul style="list-style-type: none"> Irrigation fertilizing systems Medical devices
Control signal	0-5V or 4-20mA
Valve stroke resolution	< 0.01mm
Valve stroke accuracy	< ± 0.01 mm
Full stroke duration	0.6 sec, each direction
Current consumption	<ul style="list-style-type: none"> Standby Mode (Holding position): 25 [mA] Active Control Mode: Up to 120 [mA] Full Open/Close Mode (starting current): Up to 600 [mA]
Supply voltage	12-24 [V] ±5% AC (50 or 60Hz) Or 12-24[V] ±10% DC *For other supply voltages, please consult our technical sales department *Current and voltage spikes protections might be required. Please consult our technical sales department
Connection	5 wires cable (3m length) : <ul style="list-style-type: none"> Black & red : Supply voltage (polarity is not restricted) Green : 0-5 V analog control signal Blue : 4-20 mA analog control signal Yellow : Analog control signal common
Recommended control signal resolution	Voltage : 20 mV Current : 0.064 mA
Standard / Certification	CE <ul style="list-style-type: none"> EMC : EN55011 Group 1 - Class A EN61000-6-1 CFR 47 FCC Class A SAFETY : IEC/EN61010-1
Standard protection class	IP67

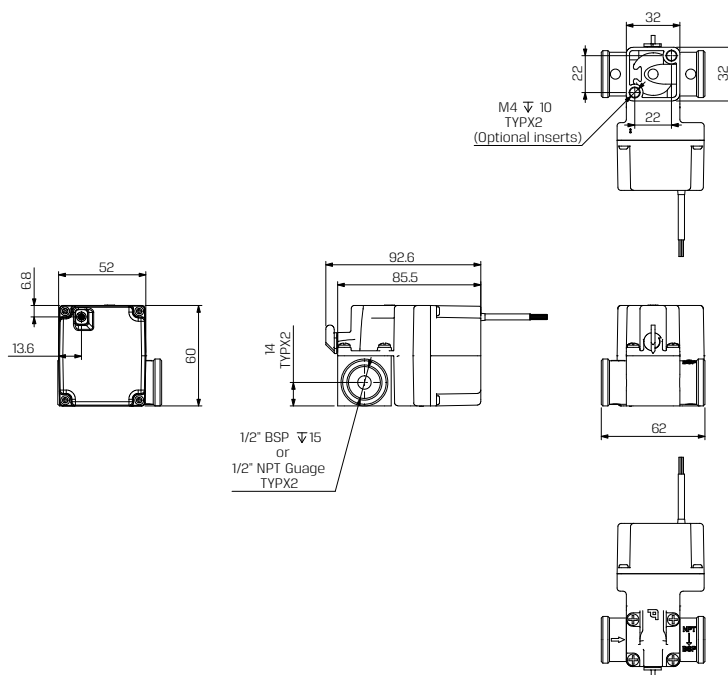


Typical performance graph



GEM-SOL® | CPR (GEM-CPR) | Precise Isolated Proportional 2 Way NC

Dimensions



How to Order

GEM-CPR	PORT	FUNCTION	PRESSURE	SEALS	MANUAL OVERRIDE	CONTROL SIGNAL	VOLTAGE
1/2" BSP	40	2W NC	Vacuum	FKM	V	0-5 V	1
1/2" NPT	41		Pressure ⁽¹⁾	EPDM	E	4.20 mA	2

Example : GEM-CPR-4011E1-11

GEM-SOL® CPR (GEM-CPR) Proportional, 1/2" BSP, 2W NC, Vacuum, EPDM seals, plastic manual override, 0-5V control signal, 12-24 VDC

(1) Maximum inlet pressure : 1 bar

*Please specify the working pressure range when placing an order

* To order valves manufactured according to your specific requirements, please contact our technical sales department.

SOLENOID VALVES | GEM-SOL® | Special Purpose Proportional

GEM-SOL® | PR16 (G65-PR)

Special

Proportional 2 Way NC

Technical Data

Function	2 Way NC
Ports size	M5, #10UNF, 1/8" BSP & NPT
Orifice size	See table
Pressure range	Vacuum - see table
Kv (l/min)	See table
Temperature range	Fluid : -10°C to 80°C (no freezing) Ambient : -10°C to 55°C
Materials in contact with media	Main Valve: Aluminium, Brass, Stainless Steel AISI 316 Solenoid Operator: Stainless Steel AISI 300 & 400 series, Brass Seals: NBR, FKM, EPDM (other seals on request) Guide rings: PTFE
Media	Air, water, oil
The control parameter is the current in the coil! Operating current	Max. 1500[mA] standard voltage 24V DC(=)
Electrical connection	Per DIN 43650-b, or 2 flying leads 18AWG (0.75mm ²) 300 mm length
Standard protection class	IP65 with connector

• Media : Max. viscosity 21mm²/s

Guidelines for selection :

1. The pressure drop (ΔP) on the valve should be 30-50% or higher, of the total pressure drop in the system.
2. Special consideration should be taken in choosing the right Kv of the valve as this factor determines the flow and pressure drop of the valve.
3. To achieve better regulation performance when working without a control unit, the maximum pressure should be 1.2 times the working pressure. The maximum pressure can be adjusted using the upper screw.
4. Inlet pressure should be kept constant during operation.

Standard calibration pressure (bar)

	Orifice size (mm)			
	0.8	1.0	1.2	1.6
Pressure rating [bar] ⁽¹⁾	10	8	6	4
Flow factor Kv(l/min)	0.4	0.5	0.65	1.2

- (1) From technical vacuum to max. rating
(2) Other calibration pressures on request

Flow regulation :

With control unit PWM 500[Hz] measured at constant ΔP (delta P)

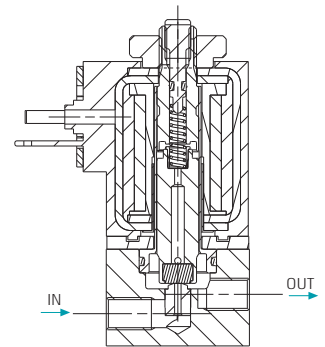
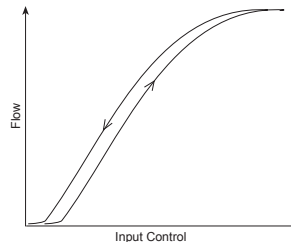
Hysteresis	<5% of FS
Repeatability	<3% of FS
Sensitivity	<2% of FS

Voltage & Power Consumption

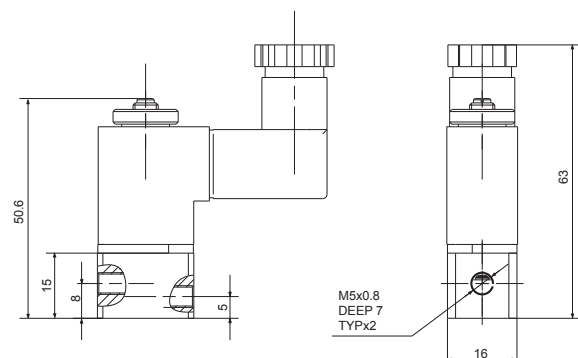
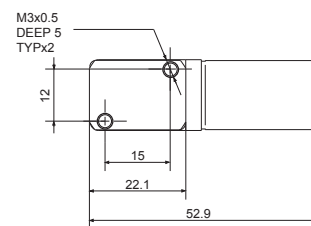
V	AC 50Hz		DC (W)
	3.2VA	3.6VA	3
12			•
24			•
110			
230			

• Available options

* To order valves manufactured according to your specific requirements, please contact our technical sales department.



Dimensions



GEM-SOL® | PR22 (G80-PR) Special

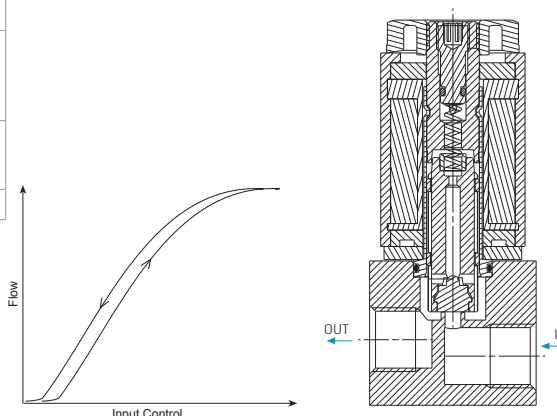
Proportional 2 Way NC

Technical Data

Function	2 Way NC
Ports size	M5, 1/8" BSP & NPT
Orifice size	See table
Pressure range	Vacuum - see table
Kv (l/min)	See table
Temperature range	Fluid : -10°C to 80°C (no freezing) Ambient : -10°C to 55°C
Materials in contact with media	Main Valve: Aluminium, Brass, Stainless Steel AISI 316 Solenoid Operator: Stainless Steel AISI 300 & 400 series, Brass Seals: NBR, FKM, EPDM, FFKM (other, on request) Guide rings: PTFE
Media	Neutral gases, water, oil Max. viscosity 2lmm²/s
The control parameter is the current in the coil!	
Operating current	100-500[mA] standard voltage 24V DC(=)
Electrical connection	Per DIN 43650-b, or 2 flying leads 18AWG (0.75mm²) 300 mm length
Standard protection class	IP65 with connector



Stainless Steel | 1/8"



Guidelines for selection

1. The pressure drop (ΔP) on the valve should be 30-50% or higher, of the total pressure drop in the system.
2. Special consideration should be taken in choosing the right Kv of the valve as this factor determines the flow and pressure drop of the valve.
3. To achieve better regulation performance when working without a control unit, the maximum pressure should be 12 times the working pressure. The maximum pressure can be adjusted using the upper screw.
4. Inlet pressure should be kept constant during operation.

Standard calibration pressure (bar)

	Orifice size (mm)				
	1.0	1.2	1.6	2.0	2.4
Pressure rating (bar) ⁽¹⁾	10	8	6	5	4
Flow factor Kv(l/min)	0.5	0.65	1.0	1.6	2.0

- (1) From technical vacuum to max. rating
- (2) Other calibration pressures on request

Flow regulation :

With control unit PWM 500[Hz] measured at constant ΔP (delta P)

Hysteresis <5% of FS
 Repeatability <3% of FS
 Sensitivity <2% of FS

Voltage & Power Consumption

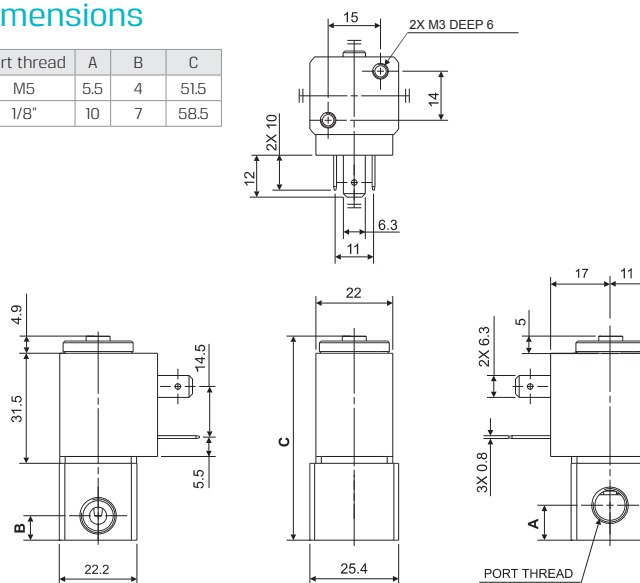
V	DC (W)	
	6	3
6	•	•
12	•	•
24	•	•
110		
230		

• Available options

* To order valves manufactured according to your specific requirements, please contact our technical sales department.

Dimensions

Port thread	A	B	C
M5	5.5	4	51.5
1/8"	10	7	58.5



SOLENOID VALVES | GEM-SOL® | Special Purpose Proportional

GEM-SOL® | PR32 (GEM-PR)

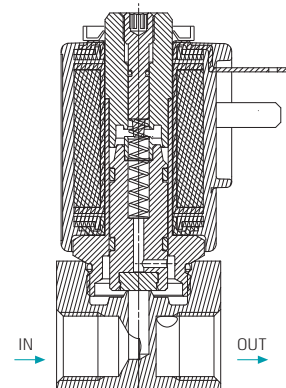
Proportional 2 Way NC

Technical Data

Function	2 Way NC
Ports size	1/8", 1/4" BSP & NPT
Orifice size	See table
Pressure range	See table
Kv (l/min)	See table
Temperature range	Fluid : -10°C to 80°C (no freezing) Ambient : -10°C to 55°C
Materials in contact with media	Main Valve: Brass, Stainless Steel AISI 316 Solenoid Operator: Stainless Steel AISI 300 & 400 series Seals: NBR, FKM, EPDM, Polyurethane, PTFE Guide rings: PTFE
Media	Neutral gases, water, oil Max. viscosity 2lmm²/s
The control parameter is the current in the coil.	
Operating current	100-500[mA] standard voltage 24V DC(=)
Electrical connection	Per DIN 43650-a, or 2 flying leads 18AWG (0.75mm²) 300 mm length
Standard protection class	IP65 with connector * Option : IP68 (please refer to GEM-BP Coil)

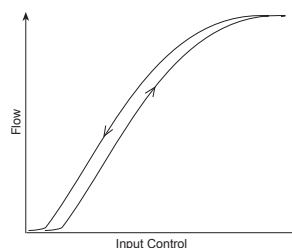


Stainless Steel



Guidelines for selection

1. The pressure drop (ΔP) on the valve should be 30-50% or higher, of the total pressure drop in the system.
2. Special consideration should be taken in choosing the right Kv of the valve as this factor determines the flow and pressure drop of the valve.
3. To achieve better regulation performance when working without a control unit, the maximum pressure should be 1.1 times the working pressure. The maximum pressure can be adjusted using the upper screw.
4. Inlet pressure should be kept constant during operation.



Standard calibration pressure (bar)

	Orifice size (mm)						
	0.8	1.2	1.6	2.0	2.4	3.0	4.0
Pressure rating(bar) ⁽¹⁾	16	12	10	8	6	3.5	2
Flow factor Kv(l/min)	0.6	1.1	1.7	2.5	3.5	4.5	5

- (1) From technical vacuum to max. rating
(2) Other calibration pressures on request

Flow regulation :

With control unit PWM 500[Hz] measured at constant ΔP (delta P).

Hysteresis	<5% of FS
Repeatability	<3% of FS
Sensitivity	<2% of FS

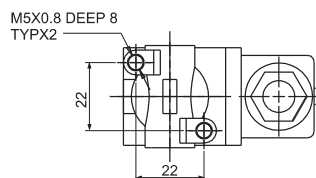
Voltage & Power Consumption

V	DC (W)			
	10	5.5	3.5	
6				
12	•			
24	•			
48				
110				
120				
220				
230				
240				

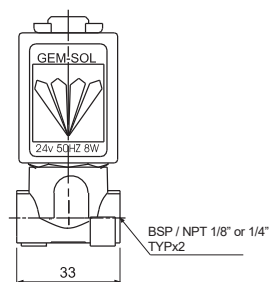
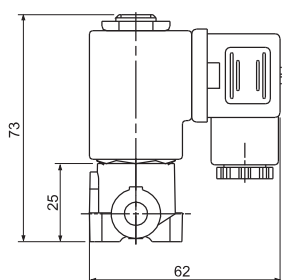
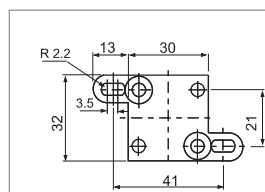
- Available options

GEM-SOL® | PR32 (GEM-PR) | Proportional 2 Way NC

Dimensions



Optional Mounting Bracket



How to Order

GEM-PR	BODY	PORT	FUNCTION	ORIFICE	SEALS	MANUAL OVERRIDE	CONNECTOR
	Brass	2 1/8" BSP	10 2W NC	1 0.8	1 NBR	N None	0 with
	Stainless Steel	3 1/8" NPT	11	1.2	2 FKM	V	1 flying leads coil *
		20 1/4" BSP	16	3 EPDM	E	2 with 1/2" Hub	
		21 1/4" NPT	2.0	4 Polyurethane *	P	3 connector with moulded cable	
			2.4	5 PTFE *	T		
			3.0	6			
			4.0	7			

* **SPECIAL OPTIONS** | Extended lead times, Non-stock items, MOQ may be applicable

Example : GEM-PR-21015N0-1

GEM-SOL® PR32 (GEM-PR) Proportional, Brass, 1/8" BSP, 2W NC, 2.4 orifice, NBR, without manual override, with connector.

* Please specify the working pressure range when placing an order

* To order valves manufactured according to your specific requirements, please contact our technical sales department.

SOLENOID VALVES | GEM-SOL® | Special Purpose

High Pressure

GEM-SOL® | HP32 (GEM-HP)

High Pressure 1/4"-1" | 2 Way NC, NO

Technical Data

Function	2 Way NC, NO
Ports size	1/4", 1/2", 3/4", 1" BSP & NPT
Pressure range	See table
Kv (l/min)	See table
Temperature range	Fluid : -10°C to 80°C (no freezing) Ambient : -10°C to 50°C
Materials in contact with media	Main Valve: Brass, Stainless Steel AISI 316 Solenoid Operator: Stainless Steel AISI 300 & 400 series Seals: Polyurethane, FKM*, EPDM*, PTFE * The orifice seal is PTFE
Coil voltage	• Voltage and power consumption - see table • All Baccara coil voltages are ± 10% of nominal
Standard protection class	IP65 with connector * Option : IP68 (please refer to GEM-BP Coil)

• Latch valves are available upon request



Brass | 1/2"



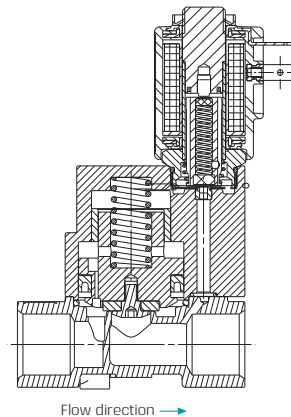
Stainless Steel | 1/2"

Pressure (bar) & Flow NC

Size	Orifice (mm)	Pressure (bar)	Kv(l/min)
1/4"	8	1 to 60	12
1/2"	12		35
3/4"	20		130
1"	25		200

Pressure (bar) & Flow NO

Size	Orifice (mm)	Pressure (bar)	Kv(l/min)
1/4"	8	1 to 30	12
1/2"	12		35
3/4"	20		130
1"	25		200



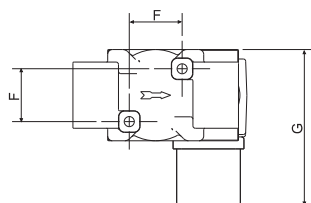
Voltage & Power Consumption

V	AC (W)						DC (W)		
	50 Hz			60 Hz			10	5.5	3.5
6	•			•			•		
12	•			•			•		
24	•			•			•		
48	•			•			•		
110	•			•			•		
120	•			•			•		
220	•			•			•		
230	•			•			•		
240	•			•			•		

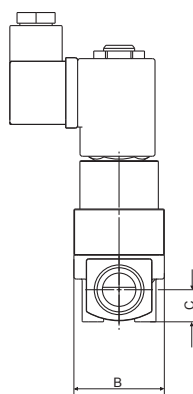
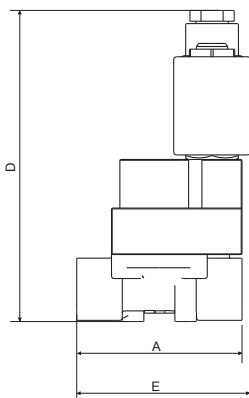
• Available options

GEM-SOL® | HP32 (GEM-HP) | High Pressure 1/4"-1" | 2 Way NC, NO

Dimensions



Size	A	B	C	D	E	F	G
1/4"	58	32	10.5	118	91.5	22	58.9
1/2"	69	38	13	130	102.5	22	64.9
3/4"	90	55	17	140	-	-	73.1
1"	100	65	21	151	-	-	78.1



How to Order

* When ordering without coil, please define what current and pressure rating is needed (DC, AC)

GEM-HP	BODY	PORT	FUNCTION	SEALS		VOLTAGE	POWER	CONNECTOR						
	Brass	2	1/4" BSP	20	2W NC	1	Polyurethane	P	without coil	0	No coil	0	with	1
	Stainless Steel *	3	1/4" NPT	21	2W NO through base *	2a	FKM ⁽¹⁾	V	6 ⁽²⁾	1	AC8W 50Hz	1	with LED	2
12									2	AC8W 60Hz	2	with LED	4	
24									3	DC10W	3	with 1/2" Hub	5	
48									4			surge protection with LED *	6	
110									5			connector with moulded cable	7	
120									6			other	9	
220									7A					
230	7													
240	8													
	Latch/other * ⁽³⁾	9												

* SPECIAL OPTIONS | Extended lead times, Non-stock items, MOQ may be applicable

Example : GEM-HP-2201P-321

GEM-SOL® HP32 (GEM-HP) High Pressure, Brass, 1/4" BSP, 2W NC, Polyurethane seals, 24VAC 8W 60Hz with connector.

(1) The orifice seal is PTFE

(2) DC only

(3) For specifying Latch type coil, please refer to A3P32 (GEM-A3P) valve - How to Order table

* To order valves manufactured according to your specific requirements, please contact our technical sales department.

SOLENOID VALVES | GEM-SOL® | Special Purpose Isolated

GEM-SOL® | C32 (GEM-C)

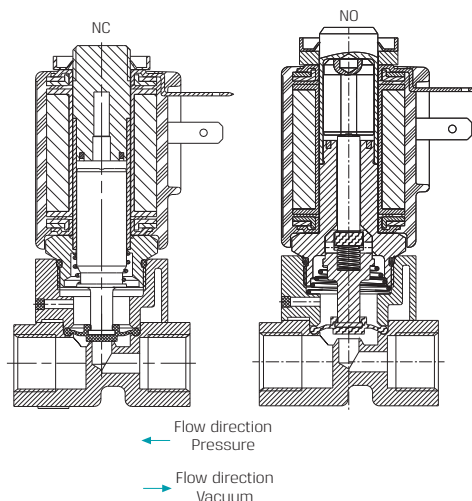
Chem-Sol 1/4" | 2 Way NC, NO

Technical Data

Function	2 Way NC, NO
Ports size	1/4" BSP & NPT
Orifice size	4.5mm *Option for 2.8 mm orifice. Please contact our technical sales department
Pressure range	See table
Kv (l/min)	5 l/min
Temperature range	Fluid : 5° to 50°C (no freezing) Ambient : -10°C to 50°C
Materials in contact with media	Manual override: NC : Plastic (Reinforced Nylon) NO : Manual override is not available Main Valve: Reinforced PPA Seals: FKM, EPDM, Silicone, Viton™ Extreme™ ETP-600S
Applications	<ul style="list-style-type: none"> • Chemical process • Water treatment • Analysis device etc
Coil voltage	<ul style="list-style-type: none"> • Voltage and power consumption - see table • All Baccara coil voltages are ± 10% of nominal
Standard protection class	IP65 with connector * Option : IP68 (please refer to GEM-BP Coil)



2 Way NC | Vacuum



Pressure (bar) NC

Coil Current/Power	Flow direction not restricted	Flow direction restricted
ADC *	0 to 2.5 bar	0 to 0.6 bar
AC 8W	0 to 2.5 bar	0 to 0.7 bar
AC 5.5W	0 to 2 bar	0 to 0.5 bar
DC 5.5W	0 to 1.5 bar	0 to 0.4 bar

Vacuum (bar) NC

Coil Current/Power	Flow direction not restricted	minimum Δp
ADC *	-1 to 0 bar	1 bar
AC 5.5W	-1 to 0 bar	
DC 5.5W	-1 to 0 bar	

Pressure (bar) NO

Coil Current / Power	Flow direction not restricted	Flow direction restricted ⁽¹⁾
ADC *, AC 8W or DC10W	0 to 1 bar	0 to 0.5 bar
5.5W AC/DC	0 to 1 bar	0 to 0.5 bar

(1) Higher input pressure of up to 1atm can be achieved with minimal pressure drop on the valve of 0.3atm

* ADC valves are only suitable for use with AC8W or DC10W coils.

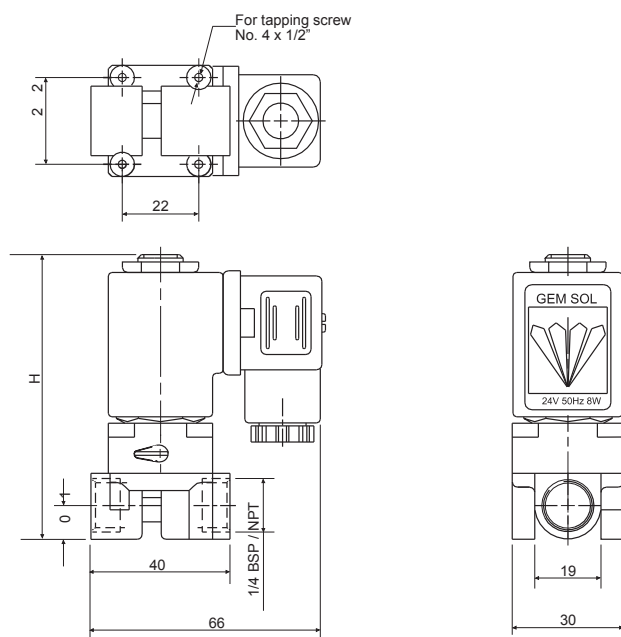
Voltage & Power Consumption NC & NO valves

	AC (W)						DC (W)		
	50 Hz		60 Hz						
V	8	5.5	2.5	8	5.5	2.5	10	5.5	3.5
6							•	•	
12	•			•			•	•	
24	•	•		•	•		•	•	
48	•			•			•		
110	•			•	•		•		
120	•			•	•				
220	•	•		•			•		
230	•	•		•	•				
240	•			•			•		

• Available options

GEM-SOL® | C32 (GEM-C) | Chem-Sol 1/4" | 2 Way NC, NO

Dimensions



Notes

Type	Valve Description	H
NC	GEM-C-12 □1...	81
NO	GEM-C-12 □2...	84.5

How to Order

GEM-C	BODY	PORT	FUNCTION	PRESSURE	SEALS	MANUAL OVERRIDE ⁽¹⁾	VOLTAGE	POWER	CONNECTOR
	Plastic 1	1/4" BSP 20	2W NC 1	Vacuum 1	FKM V	None 0	without coil 0	No coil 0	with 1
		1/4" NPT 21	2W NO 2	Pressure 2	EPDM E	Plastic* 1	6 ⁽²⁾ 1	AC8W 50Hz 1	with LED 2
			2W NO * 2a		Silicone * S		12 2	AC8W 60Hz 2	flying leads coil * 4
					Viton™ Extreme™ X ETP-600S*		24 3	DC 10W 3	with 1/2" Hub 5
							48 4	AC5.5W 50Hz 4	surge protection with LED * 6
							110 5	AC5.5W 60Hz 5	connector with moulded cable 7
							120 6	DC 5.5W 7	other 9
							220 7A		
							230 7		
							240 8		
							Latch/other * ⁽³⁾ 9		

* **SPECIAL OPTIONS** | Extended lead times, Non-stock items, MOQ may be applicable

Example : GEM-C-12012V1-321

GEM-SOL® C32 (GEM-C) Chem-Sol, Plastic, 1/4" BSP, 2W NC, Pressure, FKM, plastic manual override, 24V AC 8W 60Hz with connector.

(1) 2 Way NO - manual override is not available

(2) DC only

(3) For specifying Latch type coil, please refer to A3P32 (GEM-A3P)valve - How to Order table

* **Note:** When ordering without coil, please define what current and pressure rating is needed (DC, AC or ADC), otherwise an ADC valve will be supplied.

* To order valves manufactured according to your specific requirements, please contact our technical sales department.

SOLENOID VALVES | GEM-SOL® | Special Purpose Isolated

GEM-SOL® | C32 (GEM-C) Chem-Sol 1/2" | 2 Way NC

Technical Data

Function	2 Way NC
Ports size	1/2" BSP & NPT
Orifice size	8mm (Up to 600 l/hour)
Pressure range	See table
Kv (l/min)	18 l/min
Temperature range	Fluid : 5°C to 50°C (no freezing) Ambient : -10°C to 50°C
Materials in contact with media	Manual override: Plastic (Reinforced Nylon) * Available for vacuum application only Main Valve: PVC Seals: FKM, EPDM
Applications	<ul style="list-style-type: none"> • Chemical process • Water treatment • Analysis device etc
Coil voltage	<ul style="list-style-type: none"> • Voltage and power consumption - see table • All Baccara coil voltages are from -5% to ±10% of nominal
Standard protection class	IP65 with connector * Option : IP68 (please refer to GEM-BP Coil)

• Supplied with mounting threads on request, please specify.



1/2" | Vacuum



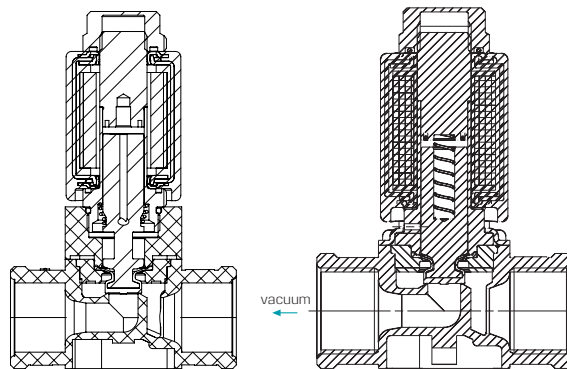
with Manual Override

Pressure (bar) NC

Coil Current/Power	Flow direction not restricted	Flow direction restricted
AC 8W, DC10W	0 to 0.7 bar	Min dp 0.3 bar

Vacuum (bar) NC

Coil Current/Power	Flow direction not restricted	Flow direction restricted
AC 8W	-1 to 0.5 bar	-1 to 0.5 bar
AC 5.5W	-0.5 to 0.5 bar	-0.8 to 0.5 bar
DC 10W	-0.4 to 0.5 bar	-0.6 to 0.5 bar



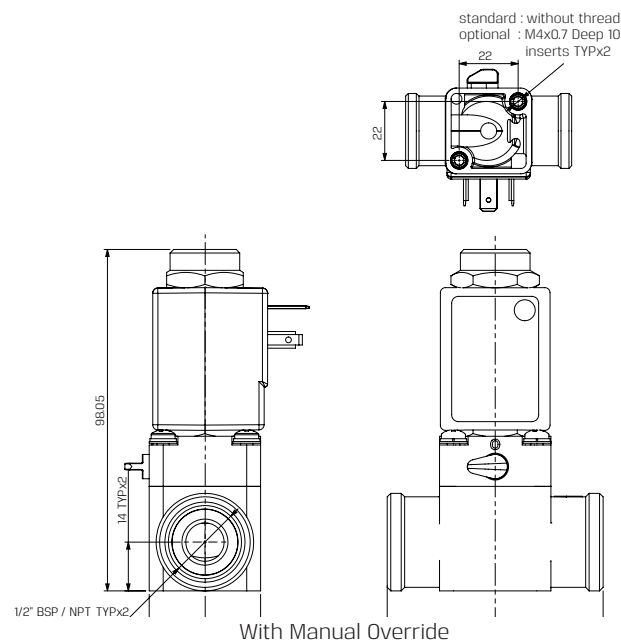
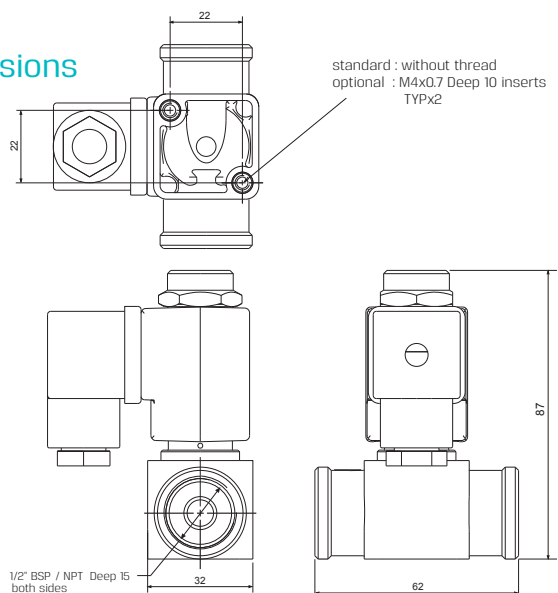
Voltage & Power Consumption

V	AC (W)						DC (W)		
	50 Hz			60 Hz			10	5.5	3.5
6							•	•	
12	•	•		•	•		•	•	
24	•	•	•	•	•		•	•	
48	•	•		•	•		•	•	
110	•	•		•	•	•	•	•	
120	•	•		•	•	•			
220	•	•	•	•	•	•	•	•	
230	•	•	•	•	•	•	•	•	
240	•	•		•	•		•	•	

- Available options :
- Vacuum
- Pressure

GEM-SOL® | C32 (GEM-C) | Chem-Sol 1/2" | 2 Way NC

Dimensions



How to Order

GEM-C	PORT	FUNCTION	PRESSURE	SEALS	MANUAL OVER-RIDE		* When ordering without coil, please define what current and pressure rating is needed (DC, AC)									
					VOLTAGE	POWER	CONNECTOR									
	1/2" BSP	40	2W NC	1	Vacuum	1	FKM	V	None	Null	W/out coil	0	No coil	0	with	1
	1/2" NPT	41			Pressure	2	EPDM	E	Plastic ⁽¹⁾	1	6 ⁽²⁾	1	AC8W 50Hz	1	with LED	2
											12	2	AC8W 60Hz	2	flying leads coil*	4
											24	3	DC10W	3	with 1/2" Hub	5
											48	4	AC5.5W 50Hz	4	surge protection with LED*	6
											110	5	AC5.5W 60Hz	5	connector with moulded cable	7
											120	6			other	9
											220	7A				
											230	7				
											240	8				
											Latch/other* ⁽³⁾	9				

* **SPECIAL OPTIONS** | Extended lead times, Non-stock items, MOQ may be applicable

Example : GEM-C-4011V1-321

GEM-SOL® C32 (GEM-C) Chem-Sol, 1/2" BSP, 2W NC for vacuum, FKM, plastic manual override, 24V AC 8W 60Hz with connector.

(1) Available for Vacuum application only

(2) DC only

(2) For specifying Latch type coil, please refer to A3P32 (GEM-A3P)valve - How to Order table

* To order valves manufactured according to your specific requirements, please contact our technical sales department.

SOLENOID VALVES | GEM-SOL® | Special Purpose Pinch Valves

GEM-SOL® | P32 (GEM-P)

Pinch Valve 2 Way NC

Technical Data

Function	2 Way NC
Tubes	Silicone tubes : 6x4mm, 8x5mm, 9.5x6.5mm
Pressure range	0-1 bar
Temperature range	Fluid : -10°C to 80°C (no freezing) Ambient : -10°C to 50°C
Materials	Valve: Aluminium Solenoid Operator: Stainless Steel AISI 300 & 400 series
Materials in contact with media	None * fluid flows through silicone tube
Applications	Where corrosive or contaminated fluid must be controlled, such as in : • Laboratories • Industrial and irrigation control • Analysis devices
Coil voltage	• Voltage and power consumption - see table • All Baccara coil voltages are ± 10% of nominal • DC10W • DC 14W - max 70% duty cycle • Ton = 7 [min] max
Standard protection class	IP65 with connector * Option : IP68 (please refer to GEM-BP Coil)

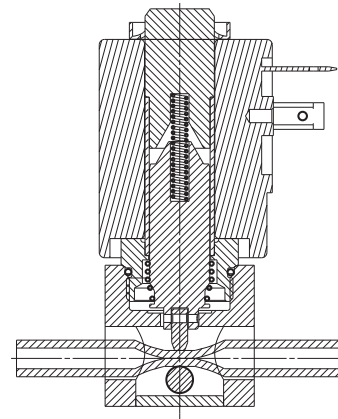
- For AC, use rectifier connector.



Voltage & Power Consumption

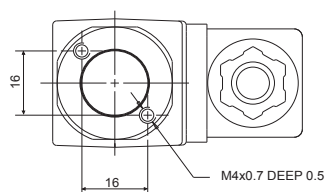
V	DC (W)			
	14	10	5.5	3.5
6		•		
12		•		
24	•	•		
48		•		
110		•		
120				
220		•		
230				
240		•		

- Available options

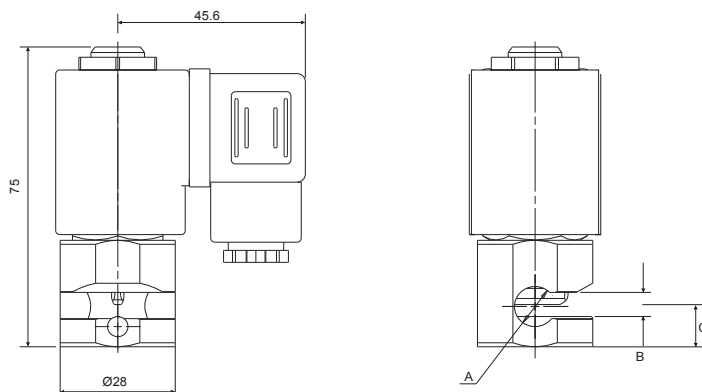


GEM-SOL® | P32 (GEM-P) | Pinch Valve 2 Way NC

Dimensions



	A	B	C
GEM-P - 1□	6.5	5	10
GEM-P - 2...3□	9.5	6.5	10



How to Order

GEM-P	TUBE	FUNCTION	VOLTAGE	POWER ⁽³⁾	CONNECTOR			
	∅ 6x4	1	6 ⁽¹⁾	1	DC 10W	3	with	1
	∅ 8x5 *	2	12	2	DC 14W ⁽⁴⁾	8	with LED	2
	∅ 9.5x6.5	3	24	3			flying leads coil *	4
			48	4			with 1/2" Hub	5
			110	5			surge protection with LED *	6
			220	7A			connector with moulded cable	7
			240	8			other	9
			Latch * ⁽²⁾	9				

* **SPECIAL OPTIONS** | Extended lead times, Non-stock items, MOQ may be applicable

Example : GEM-P-11-331

GEM-SOL® P32 (GEM-P) Pinch Valve, ∅ 6x4 tube, 2W NC, 24VDC 10W with connector

(1) DC only

(2) For specifying Latch type coil, please refer to A3P32 (GEM-A3P) valve - How to Order table

(3)

GEM-P - 1 □	10W
GEM-P - 2...3 □	14W

* Coil is wider for 8x5mm and 9.5x6.5mm

(4) DC 14W - Max 70% duty cycle

* To order valves manufactured according to your specific requirements, please contact our technical sales department.

SOLENOID VALVES | GEM-SOL® | Special Purpose

Pinch Valves

GEM-SOL® | P32 (GEM-P)

Special

Pinch Valve 3 Way

Technical Data

Function	3 Way
Tubes	Silicone tubes : 6x4mm
Pressure range	0-1 bar
Temperature range	Fluid : -10°C to 80°C (no freezing) Ambient : -10°C to 50°C
Materials	Valve: Aluminium Solenoid Operator: Stainless Steel AISI 300 & 400 series
Materials in contact with media	None * fluid flows through silicone tube
Applications	Where corrosive or contaminated fluid must be controlled, such as in : • Laboratories • Industrial and irrigation control • Analysis devices
Coil voltage	• Voltage and power consumption - see table • All Baccara coil voltages are ± 10% of nominal • DC 14W - max 70% duty cycle • Ton = 7 [min] max
Standard protection class	IP65 with connector * Option : IP68 (please refer to GEM-BP Coil)

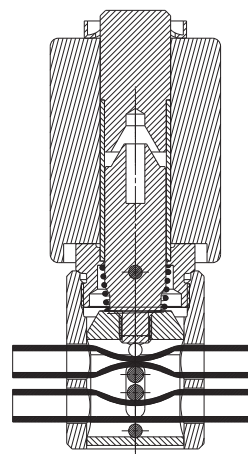
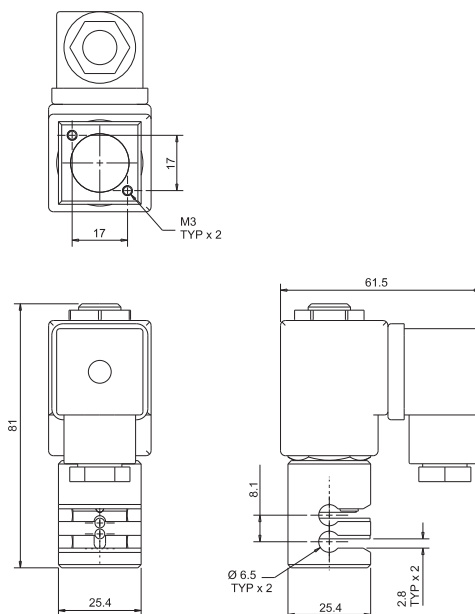
• For AC, use rectifier connector.

Voltage & Power Consumption

V	DC (W)			
	14	10	5.5	3.5
6				
12				
24	•			
48				
110				
120				
220				
230				
240				

• Available options

Dimensions



* To order valves manufactured according to your specific requirements, please contact our technical sales department.

Refrigeration

GEM-SOL® | R32 (GEM-R) Special

For air conditioning systems 2 Way NC

Technical Data

Function	2 Way NC
Orifice size	See table
Pressure range	See table
Kv (l/min)	See table
Temperature range	Fluid : -10°C to 80°C (no freezing) Ambient : -10°C to 50°C
Materials in contact with media	Main Valve: Brass Solenoid Operator: Stainless Steel AISI 300 & 400 series Seals: NBR for R-134a Neoprene for R12 & R22
Media	Refrigeration fluids
Coil voltage	• Voltage and power consumption - see table • All Baccara coil voltages are ± 10% of nominal
Standard protection class	IP65 with connector * Option : IP68 (please refer to GEM-BP Coil)

• ADC valves are only suitable for use with AC8W or DC10W coils.



5/8" NF O-ring

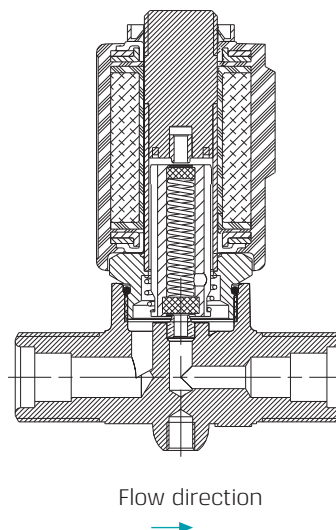
Max. Pressure (bar) 2 Way NC

Coil Current/Power	Orifice(mm)
	2.4
AC8W, DC10W	30
Flow factor Kv(l/min)	3.5

Voltage & Power Consumption

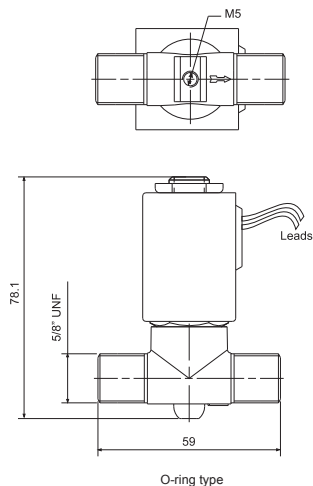
V	AC (W)						DC (W)		
	50 Hz			60 Hz			10	5.5	3.5
6							•		
12	•			•			•		
24	•			•			•		
48	•			•			•		
110	•			•			•		
120	•			•			•		
220	•			•			•		
230	•			•			•		
240	•			•			•		

• Available options



Flow direction

Dimensions



* To order valves manufactured according to your specific requirements, please contact our technical sales department.

SOLENOID VALVES | Special Purpose Latch

GEM-SOL® | A3P32 (GEM-A3P)

Latch 3 positioning manual override
2 Way, 3 Way NC, NO

Technical Data

Function	2 Way, 3 Way NC, NO
Ports size	1/8" and 1/4" BSP & NPT
Orifice size	See table
Pressure range	See table
Kv (l/min)	See table
Temperature range	Fluid : -10°C to 80°C (no freezing) Ambient : -10°C to 50°C
Materials in contact with media	Manual override: Plastic (Reinforced Nylon) Main Valve: Brass Solenoid Operator: Stainless Steel AISI 300 & 400 series Seals: NBR, FKM, EPDM, FFKM
Media	Air, water, oil
Coil type	Latch
Standard protection class	IP65 with connector * Option : IP68 (please refer to GEM-BP Coil)



* Available with a manifold bracket upon request.
Please contact our technical sales department.

Max. Pressure (bar) 2 Way NC

Orifice (mm)	0.8	1.2	1.6	2.0	2.4	3.0	4.0
Pressure (bar)	16	16	16	16	16	16	8
Flow factor Kv(l/min)	0.5	1.1	1.7	2.5	3.5	4.5	5

Max. Pressure (bar) 2 Way NO

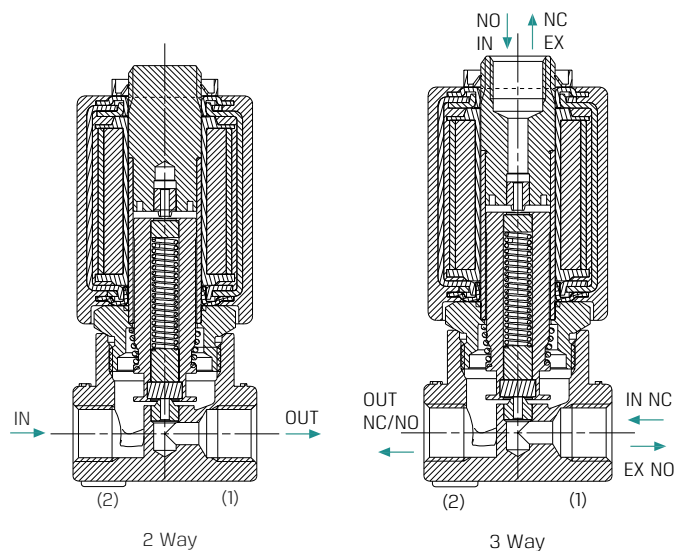
Orifice (mm)	0.8	1.2	1.6	2.0	2.4	3.0
Pressure (bar)	16	16	16	16	15	10
Flow factor Kv(l/min)	0.5	1.1	1.7	2.5	3.5	4.5

Max. Pressure (bar) 3 Way NC

Orifice (mm)	0.8	1.2	1.6	2.0	2.4	3.0
Pressure (bar)	16	16	16	14	9	5
Flow factor Kv(l/min)	0.5	1.1	1.7	2.5	3.5	4.5

Max. Pressure (bar) 3 Way NO

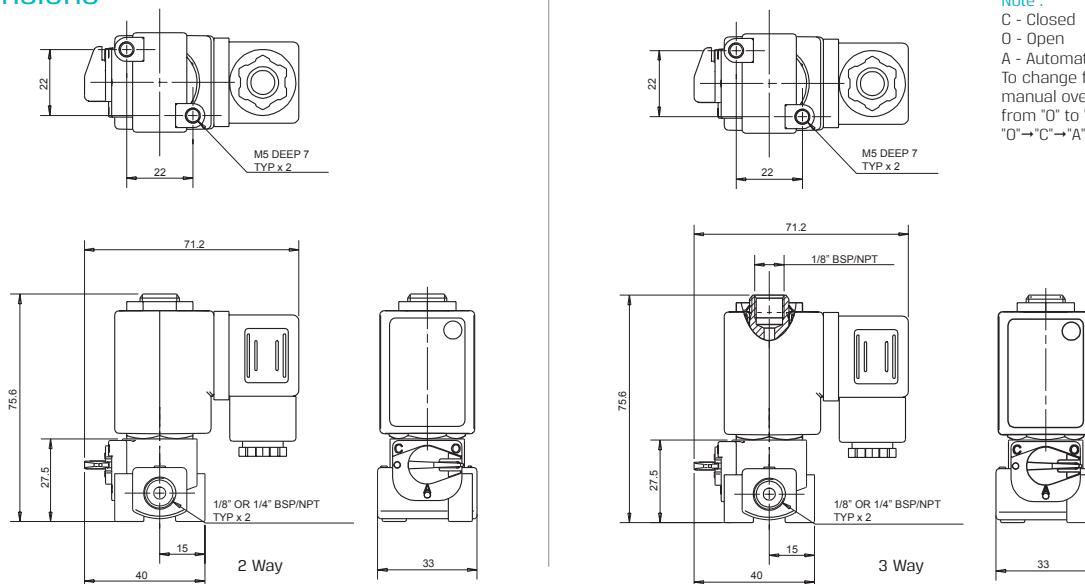
Orifice (mm)	0.8	1.2	1.6	2.0	2.4	3.0
Pressure (bar)	16	16	16	12	10	7
Flow factor Kv(l/min)	0.5	1.1	1.7	2.5	3.5	4.5



GEM-SOL® | A3P32 (GEM-A3P) | Latch 3 positioning manual override

2 Way, 3 Way NC, NO

Dimensions



Note :
 C - Closed
 O - Open
 A - Automatic
 To change from "O" to "A", the manual override must be turned from "O" to "C" and then to "A" :
 "O"→"C"→"A"

How to Order

GEM-A3P	BODY	PORT	FUNCTION	ORIFICE	SEALS	LATCH TYPE ⁽¹⁾	CONNECTOR							
Brass	2	1/8" BSP	10	2W NC	1	0.8	1	NBR	N	2Ω	LDO	with	1	
		1/8" NPT	11	2W NO	2	1.2	2	FKM	V	5Ω	IL	flying leads coil *	4	
		1/4" BSP	20	3W NC	3	1.6	3	EPDM	E	13Ω	EL	with 1/2" Hub	5	
		1/4" NPT	21	3W NO	4	2.0	4	FFKM	K	20Ω	OL	connector with moulded cable	7	
							2.4	5			53Ω	DL	other	9
							3.0	6						
							4.0	7						

* **SPECIAL OPTIONS** | Extended lead times, Non-stock items, MOQ may be applicable

Example : GEM-A3P-21015N-LD01

GEM-SOL® A3P32 (GEM-A3P) Latch 3 positioning manual override, Brass, 1/8" BSP, 2W NC, 2.4 orifice, NBR, 2Ω latch with connector.

(1) Choose latch type according to which latch system you have.

* To order valves manufactured according to your specific requirements, please contact our technical sales department.

SOLENOID VALVES | Special Purpose

Long Distance

GEM-SOL® | LDOS32 (LDOS) **Special**

Long distance operating solenoid

A small section conductor can be used at a distance of up to 5 kms

Technical Data

Current	24V AC : Inrush 210mA Holding 18mA 12V DC : Inrush 120mA Holding 5mA
Pressure range	See table
Delay time	See table
Connection	DIN 43650 Connecting box
Ambient temp	-10°C to 70°C
Operation	Only with a Baccara valve
Applications	<ul style="list-style-type: none"> • Cost saving wiring for remote solenoid operation • Power saving and heat prevention on continuous energized solenoid
Voltage	<ul style="list-style-type: none"> • Voltage and power consumption - see table • +10% -10% of nominal
Standard protection class	IP65 with connector

* For recommended wire parameters, please refer to Long distance operators charts

Pressure (bar)

Function	Orifice (mm)	Pressure
3 Way NC	1.6	16
	2.0	10
	2.4	8
3 Way NO	1.6	16
	2.0	12
	2.4	8

Delay time (sec) at a nominal voltage	Distance (Km)	Conduit Section (mm)
4-5	2.4	0.5
	4.8	1.0
	7.5	1.5

Voltage & Power Consumption

	AC (W)		DC (W)
	50 Hz	60 Hz	
V			•
12			•
24	•	•	

• Available options

How to Order

LDOS	-	VOLTAGE	-	Please refer to the "How to Order" definitions of the assembled GEM-SOL® valve
		24V AC	1	
		12V DC	2	

Example : LDOS-1-GEM-A-21035NO

GEM-SOL® LDOS32 (LDOS), 24V AC is attached to a GEM-SOL® latch coil, direct operated, Brass, 1/8"BSP, 3W NC, 2.4 orifice, NBR, no manual override



LDOS unit

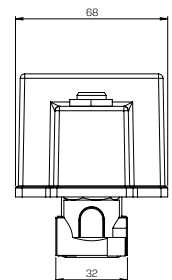
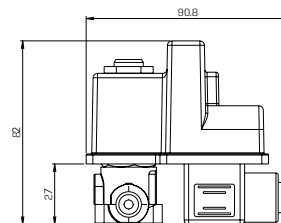
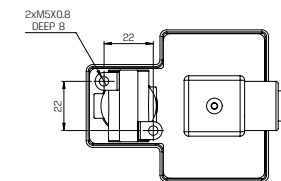


Assembled with S32 (GEM-S) solenoid



Assembled with A32 (GEM-A) solenoid

Dimensions



GEM-SOL® | LD032 (GEM-LDO)

Long distance operator 2 Way, 3 Way NC, NO

A small section conductor can be used at a distance of up to 5 kms

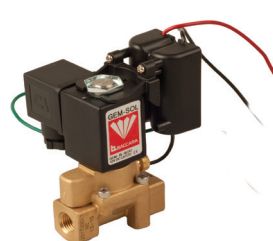
Technical Data

Function	2 Way, 3 Way NC, NO
Current	Holding 4mA
Pressure range	Refer to working pressure definitions of the valve that the GEM-LDO is assembled on, with DC10W / AC8W
Power	<ul style="list-style-type: none"> • DC12V (0.05W) up to DC24V (0.1W) • 24V AC: 0.3W
Connection	Red/Black - power supply Green/Black - coil Lead wire length - 28cm PVC coated AWG 18 UL 1007
Ambient temp	-10°C to 70°C
Operation	Only with GEM-BL-LDO coil and Baccara valve
Applications	<ul style="list-style-type: none"> • Cost saving wiring for remote solenoid operation • Power saving and heat prevention on continuous energized solenoid
Voltage	Voltage and power consumption - see table
Standard protection class	IP67 : LD032 (GEM-LDO) only

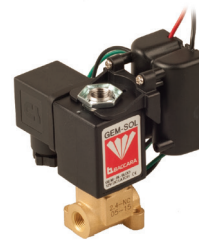
* For recommended wire parameters, please refer to Long distance operators charts



LDO unit



Assembled with S32 (GEM-S) solenoid



Assembled with A32 (GEM-A) solenoid

Voltage	Distance (km)	Conduit section (mm ²)	Delay Time (sec)	
			On	Off
12/24	5	0.5	3	1

* Max conduit resistance 390Ω at nominal voltage

Voltage & Power Consumption

	AC (W)		DC(W)	
	50 Hz	60 Hz	0.05	0.1
V	0.3	0.3	•	•
12			•	
24	•	•		•

• Available options

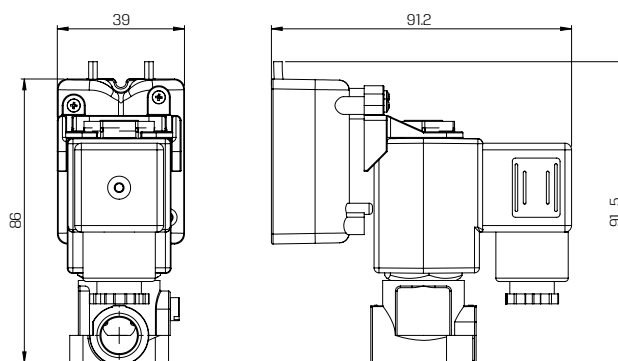
How to Order

GEM-LDO	-	VOLTAGE	-	Please refer to the "How to Order" definitions of the assembled GEM-SOL® valve
		24VAC & 12-24VDC	9	

Example : GEM-LDO-9-GEM-A-21035NO

GEM-SOL® LD032 (GEM-LDO), No label, is attached to a GEM-SOL® latch coil, Brass, 1/8"BSP, 3W NC, 2.4 orifice, NBR, no manual override

Dimensions



* To order operators manufactured according to your specific requirements, please contact our technical sales department.

SOLENOID VALVES | GEM-SOL® | Special Purpose Sub-base

GEM-SOL® | H32 (GEM-H)

Type HF (CNOMO) 3 Way NC, NO

Technical Data

Function	3 Way NC, NO
Ports size	Ø 2.7mm holes
Orifice size	See table
Pressure range	See table • Higher pressures are available
Kv (l/min)	See table
Temperature range	Fluid : -10°C to 80°C (no freezing) Ambient : -10°C to 50°C
Materials in contact with media	Main Valve: Aluminium Solenoid Operator: Stainless Steel AISI 300 & 400 series Seals: NBR, FKM, EPDM
Media	Air, water, oil
Coil voltage	• Voltage and power consumption - see table • All Baccara coil voltages are ± 10% of nominal
Standard protection class	IP65 with connector * Option : IP68 (please refer to GEM-BP Coil)



Max. Pressure (bar) 3 Way NC

Coil Current/Power	Orifice (mm)					
	0.8	1.2	1.6	2.0	2.4	3.0
ADC *	23	20	15	10	8	5.5
AC8W, DC10W	35	30	17	14	10	6
AC5.5W	23	20	15	10	8	5.5
AC2.5W, DC5.5W, DC3.5W	20	16	10	9	5	4
Flow factor Kv(l/min)	0.6	1.1	1.7	2.5	3.5	4.5

Max. Pressure (bar) 3 Way NO

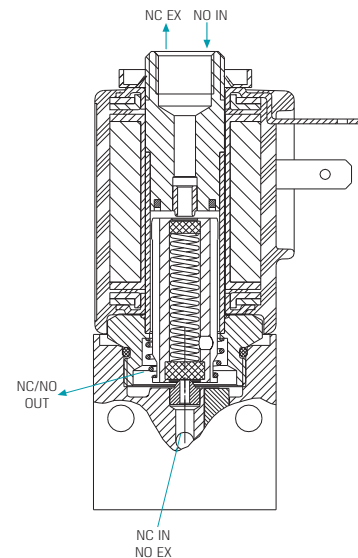
Coil Current/Power	Orifice (mm)					
	0.8	1.2	1.6	2.0	2.4	3.0
ADC *	25	20	15	11	8	6
AC8W, DC10W	30	22	17	12	10	7
AC5.5W, DC5.5W	25	20	15	11	8	6
AC2.5W, DC3.5W	20	18	12	8	6	4
Flow factor Kv(l/min)	0.6	1.1	1.4	2.2	3.0	3.5

* ADC valves are only suitable for use with AC8W or DC10W coils.

Voltage & Power Consumption: NC & NO valves

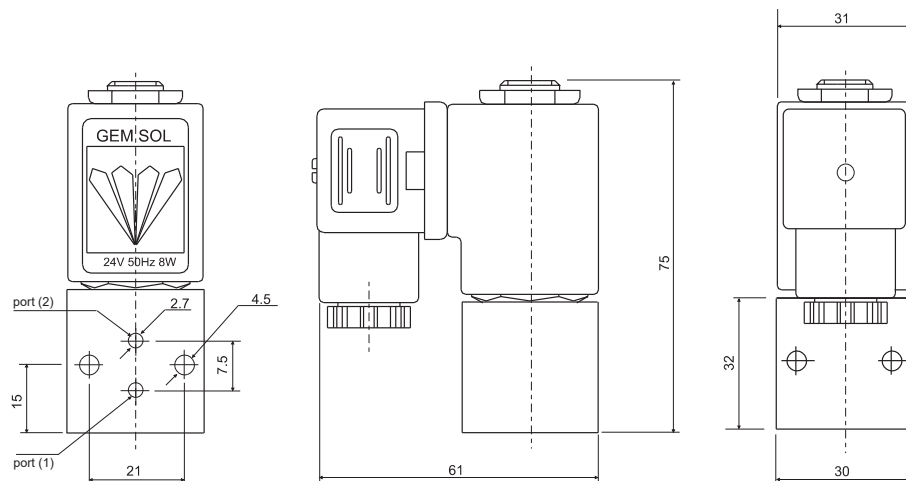
V	AC (W)						DC (W)		
	50 Hz			60 Hz			10	5.5	3.5
6							•	•	•
12	•			•			•	•	•
24	•	•	•	•	•	•	•	•	•
48	•			•			•		
110	•			•	•		•		
120	•			•	•				
220	•	•	•	•			•		
230	•	•		•	•				
240	•			•			•		

• Available options



GEM-SOL® | H32 (GEM-H) | Type HF (CNOMO) 3 Way NC, NO

Dimensions



How to Order

GEM-H	BODY		FUNCTION		ORIFICE		SEALS		VOLTAGE		POWER		CONNECTOR	
	Aluminium	1	3W NC	3	0.8	1	NBR	N	without coil	0	No coil	0	with	1
			3W NO	4	1.2	2	FKM	V	6 ⁽¹⁾	1	AC8W 50Hz	1	with LED	2
					1.6	3	EPDM	E	12	2	AC8W 60Hz	2	flying leads coil *	4
					2.0	4			24	3	DC 10W	3	with 1/2" Hub	5
					2.4	5			48	4	AC 5.5W 50Hz	4	surge protection with LED *	6
					3.0	6			110	5	AC 5.5W 60Hz	5	connector with moulded cable	7
									120	6	AC 2.5W 50/60Hz	6	other	9
									220	7A	DC 5.5W	7		
									230	7	DC 3.5W	8		
									240	8				
									Latch/other *⁽²⁾	9				

* **SPECIAL OPTIONS** | Extended lead times, Non-stock items, MOQ may be applicable

Example : GEM-H-135N-311

GEM-SOL® H32 (GEM-H) Type HF (CNOMO), Aluminium, 3W NC, 2.4 orifice, NBR, 24V AC8W 50Hz with connector

(1) DC only

(2) For specifying Latch type coil, please refer to A3P32 (GEM-A3P) valve - How to Order table.

* **Note:** When ordering without coil, please define what current and pressure rating is needed (DC, AC or ADC), otherwise an ADC valve will be supplied.

* To order valves manufactured according to your specific requirements, please contact our technical sales department.

SOLENOID VALVES | GEM-SOL® | Special Purpose

IP68

GEM-SOL® | GEM-BP

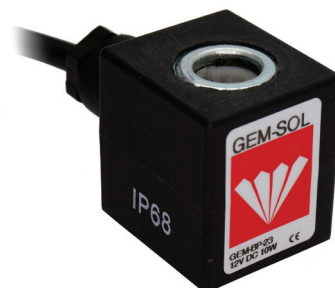
Special

IP68 Coil

Technical Data

Construction	Housing : encapsulated Polyurethane
Coil winding insulation	H 180°C
Temperature range	Ambient : -5°C to 50°C (no icing)
Duty cycle	100% ED
Protection	IP68 infinite time immersion under water, up to 2m depth
Electrical connection	3x18 AWG (0.75mm ²), hook up wire, 200cm * other lengths are available
Assembly	In any position
Coil fixing	One nut G1/4" hexagonal 19mm
Standard / Certification	European Standards IEC 60529 code IP68
Coil voltage	<ul style="list-style-type: none"> • Voltage and power consumption - see table • All Baccara coil voltages are ±10% of nominal

- The coil should not be energized without being assembled on the operator



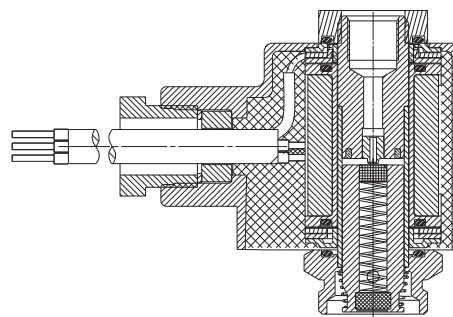
Power Consumption (AC)

Type	Inrush	Holding	Cos Ø
8W	1800 [mA]	680 [mA]	0.46
5.5W	1700 [mA]	580 [mA]	0.51
2.5W *	300 [mA]	190 [mA]	0.54

* + 2 Diodes

Power Consumption (DC)

Type
10W
5.5W
3.5W



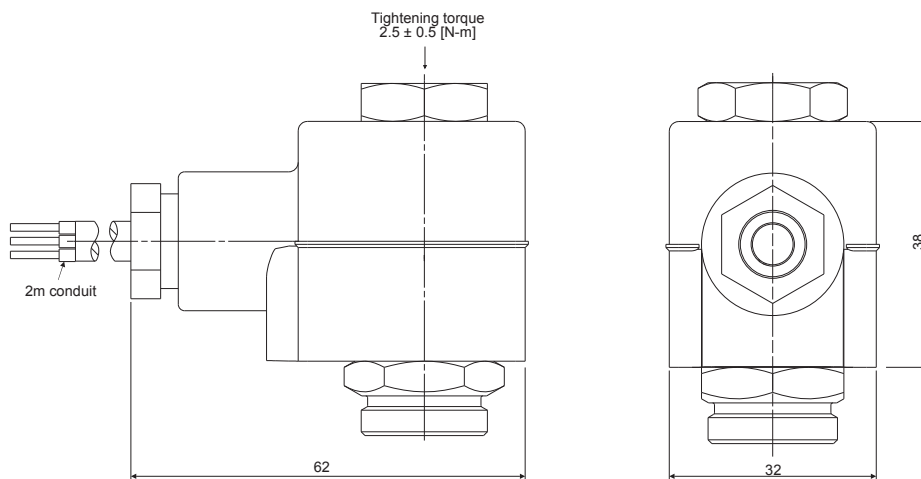
Voltage & Power Consumption

V	AC (W)						DC (W)		
	50 Hz			60 Hz			10	5.5	3.5
6									
12	•			•			•	•	•
24	•	•	•	•	•	•	•	•	•
48									
110									
120									
220									
230									
240									

- Available options

GEM-SOL® | GEM-BP | IP68 Coil

Dimensions



How to Order

GEM-BP	-	VOLTAGE	POWER ⁽¹⁾	
12	2	AC8W 50Hz	1	
24	3	AC8W 60Hz	2	
		DC10W	3	
		AC5.5W 50Hz	4	
		AC5.5W 60Hz	5	
		AC2.5W 50/60Hz	6	
		DC5.5W	7	
		DC3.5W	8	
		2Ω		LDO
		5Ω		IL
		13Ω		EL
		20Ω		OL
		53Ω		DL

Example : GEM-BP-31

GEM-SOL® GEM-BP IP68 Coil, 24V AC8W 50Hz

(1) For Latch : choose type according to which latch system you have

* To order coils manufactured according to your specific requirements, please contact our technical sales department.

b **BACCARA**[®]
AUTOMATION & CONTROL



COILS & OPERATORS

GEM-SOL® G80-B	Coil.....	66
GEM-SOL® GEM-BL	Latch Coil.....	67
GEM-SOL® GEM-B	Coil.....	68
CONNECTORS	70
GEM-SOL® G80-O	Operator 2 Way, 3 Way NC, NO.....	72
GEM-SOL® G80-OM	M12 Operator 2 Way, 3 Way NC, NO.....	74
GEM-SOL® G80-OL	Latch Operator 2 Way, 3 Way NC, NO.....	76
GEM-SOL® GEM-O	Operator 2 Way, 3 Way NC, NO.....	78
GEM-SOL® GEM-OG	Operator 3/4" UNEF 2 Way, 3 Way NC, NO.....	80



COILS & OPERATORS

Coils

GEM-SOL® | G80-B

Coil

Technical Data

Coil winding insulation	F 155°C
Temperature range	Coil : -20°C to 120°C Ambient : -20°C to 50°C
Construction	in accordance with EN 60204.1
Duty cycle *	100% ED
Electrical connection	<ul style="list-style-type: none"> • AMP 6.3x0.8, DIN 43650, 2 poles + 1 earth • 2 flying leads, 20AWG
Connector	<ul style="list-style-type: none"> • DIN 43650 • Fixture : M3 screws, 2 positions at 180° • Max. tightening torque for the connector screw : 0.5 Nm
Assembly	On a valve, 4 positions at 90°
Coil fixing	On a G80 operator with M8x0.75 nut
Impregnation	Optional
Coil voltage	<ul style="list-style-type: none"> • Voltage and power consumption - see table • All Baccara coil voltages are ±10% of nominal
Standard protection class	IP65 with connector

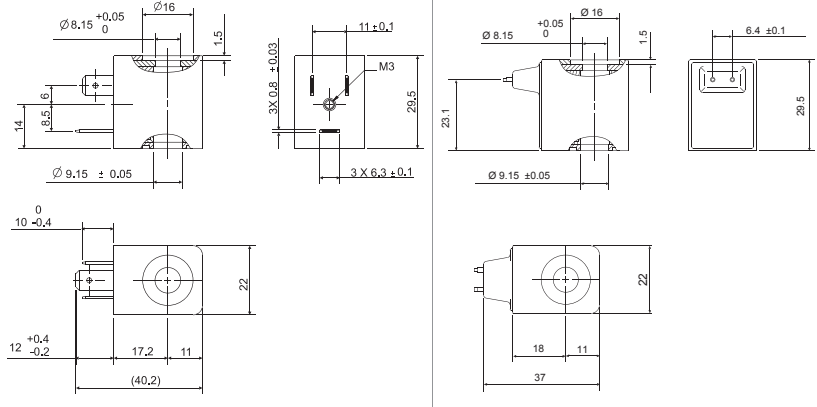
- The coil should not be energized without being assembled on the operator
- * Please consult with our technical sales department :
 - for further information on using different power coils (not shown in the table)
 - for long term operation



Power Consumption (AC)

Type	50 Hz	
	Inrush	Holding
7.5W	12.5VA	10.5VA
5W	7VA	5VA

Dimensions



Power Consumption (DC)

Type
6W
3W

Voltage & Power Consumption

V	AC (W)				DC (W)	
	50 Hz		60 Hz		6	3
6					•	•
12	•	•	•	•	•	•
24	•	•	•	•	•	•
110	•	•	•	•		
230	•	•	•	•		

- Available options

* **SPECIAL OPTIONS** | Extended lead times, Non-stock items, MOQ may be applicable

How to Order

G80-B	-	VOLTAGE	POWER	CONNECTOR
6 ⁽¹⁾	1	AC7.5W 50Hz	1	with 1
12	2	AC6W 50Hz	2	flying leads coil * 4
24	3	DC6W	3	
110	5	AC5W 50Hz	4	
230	7	AC3W 60Hz	5	
		DC3W	7	

Example : G80-B-331

GEM-SOL® G80-B Coil, 24VDC 6W with connector

(1) DC only

* To order coils manufactured according to your specific requirements, please contact our technical sales department.

GEM-SOL® | GEM-BL

Latch Coil

Technical Data

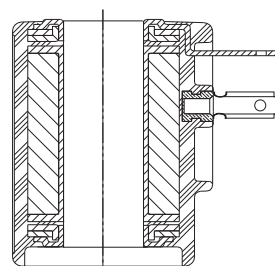
Coil winding insulation	H 180°C
Temperature range	Coil : -20°C to 150°C Ambient : -20°C to 70°C
Electrical connection	<ul style="list-style-type: none"> • AMP pins, DIN 46242, 2 poles + 1 earth • 2 flying leads, 18 AWG (0.75mm²), 330 mm length
Connector	<ul style="list-style-type: none"> • DIN 43650 • PG9 or 1/2" NPT * Max. tightening torque for the connector screw: 0.5 Nm
Assembly	In any position
Coil fixing	One nut G1/4" hexagonal 19mm
Typical pulse time	30-50ms
Impregnation	Optional
Standard / Certification	CE, RU
Standard protection class	IP65 with connector * Option : IP68 (please refer to GEM-BP Coil)



- The coil should not be energized without being assembled on the operator
- * The coil, including its magnetic circuit and permanent magnets, is encapsulated in high temperature resistant nylon to withstand humidity and meet heavy duty requirements.

When ordering for a new application, please inform us of your requirements according to the table below. This will enable us to determine the most suitable coil.

VOLTAGE	OPERATING METHOD	MAX CURRENT [A] ON COIL	CAPACITOR [μF]	SWITCHING TIME [ms]
3	Direct	≤2	None	≤25
6	Capacitor	≤1	2200	≤50
9		≤0.5	4700	≤100
12		≤0.1	other	other
24		other		
230				
Other				



Example : 12V DC, Capacitor, ≤1,4700, ≤50ms

Operation Voltage

LATCH TYPE	Ω	Voltage
LDO	2	6 - 10.5
IL	5	9 - 14
EL	13	14.5 - 20
OL	20	18 - 29
DL	53	30 - 48

* **SPECIAL OPTIONS** | Extended lead times, Non-stock items, MOQ may be applicable

How to Order

GEM-BL	LATCH TYPE ⁽¹⁾	CONNECTOR	
2Ω	LDO	with	1
5Ω	IL	flying leads coil *	4
13Ω	EL	with 1/2" Hub	5
20Ω	OL	connector with moulded cable	7
53Ω	DL	other	9

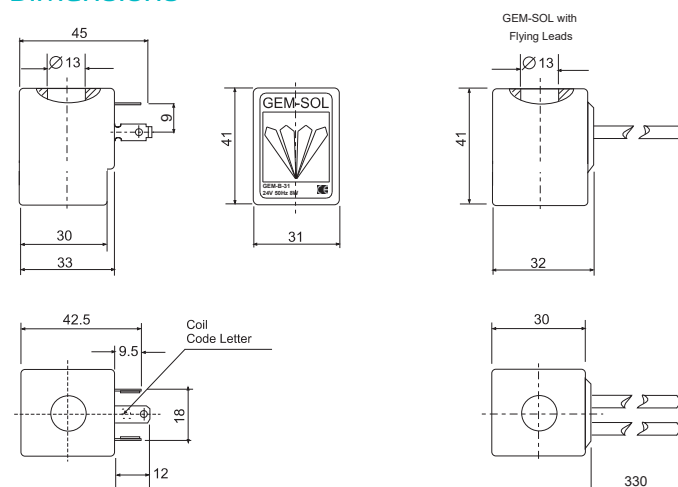
Example : GEM-BL-LDO1

GEM-SOL® GEM-BL Latch Coil, 2Ω with connector.

(1) Choose latch type according to which latch system you have.

* To order coils manufactured according to your specific requirements, please contact our technical sales department.

Dimensions



COILS & OPERATORS

Coils



GEM-SOL® | GEM-B

Coil

Technical Data

Coil winding insulation	H 180°C
Temperature range	Coil : -20°C to 150°C Ambient : -20°C to 70°C
Duty cycle *	100% ED
Electrical connection	<ul style="list-style-type: none"> • AMP pins, DIN 46242, 2 poles + 1 earth • 2 flying leads, 18 AWG (0.75mm²), 330 mm length
Connector	<ul style="list-style-type: none"> • DIN 43650 • PG9 or 1/2" NPT * Max. tightening torque for the connector screw : 0.5 Nm
Assembly	In any position
Coil fixing	One nut G1/4" hexagonal 19mm
Impregnation	Optional
Coil voltage	<ul style="list-style-type: none"> • Voltage and power consumption - see table • All Baccara coil voltages are ±10% of nominal
Standard / Certification	CE, RU
Standard protection class	IP65 with connector * Option : IP68 (please refer to GEM-BP Coil)

- The coil should not be energized without being assembled on the operator
- * Please consult with our technical sales department :
 - for further information on using different power coils (not shown in the table)
 - for long term operation



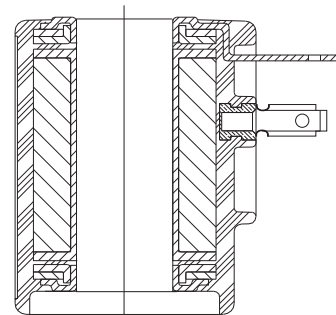
Power Consumption (AC)

Type	Inrush	Holding	Cos Ø
8W	1800 [mA]	680 [mA]	0.46
5.5W	1700 [mA]	580 [mA]	0.51
2.5W *	300 [mA]	190 [mA]	0.54

* + 2 Diodes

Power Consumption (DC)

Type
10W
5.5W
2.5W



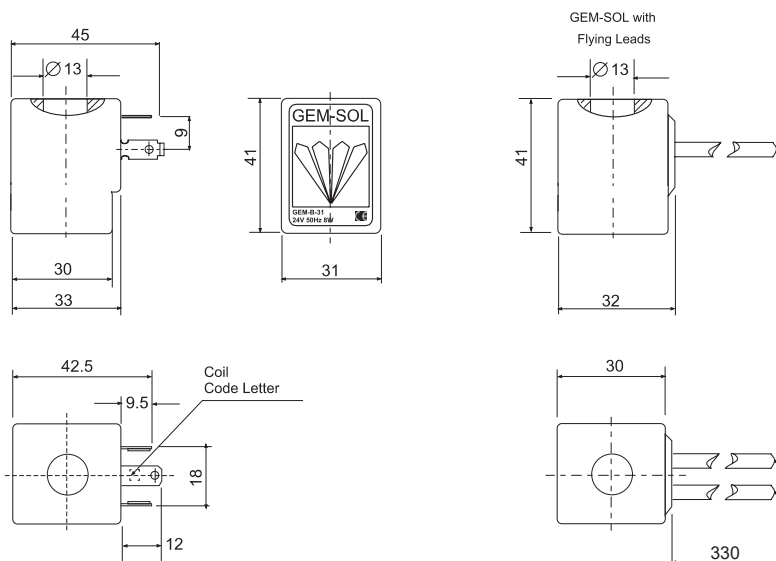
Voltage & Power Consumption

V	AC (W)						DC (W)		
	50 Hz			60 Hz			10	5.5	3.5
6							•	•	•
12	•			•			•	•	•
24	•	•	•	•	•	•	•	•	•
48	•			•			•		
110	•			•	•		•		
120	•			•	•				
220	•	•	•	•			•		
230	•	•		•	•				
240	•			•			•		

- Available options

GEM-SOL® | GEM-B | Coil

Dimensions



How to Order

GEM-B	-	VOLTAGE	POWER	CONNECTOR
6 ⁽¹⁾	1	AC8W 50Hz	1	with 1
12	2	AC8W 60Hz	2	with LED 2
24	3	DC10W	3	flying leads coil * 4
48	4	AC5.5W 50Hz	4	with 1/2" hub 5
110	5	AC5.5W 60Hz	5	surge protection with LED * 6
120	6	AC2.5W 50/60Hz	6	connector with moulded cable 7
220	7A	DC5.5W	7	other 9
230	7	DC3.5W	8	
240	8			
	Latch/other* ⁽²⁾		9	

* **SPECIAL OPTIONS** | Extended lead times, Non-stock items, MOQ may be applicable

Example : GEM-B-341

GEM-SOL® GEM-B Coil, 24V AC 5.5W 50Hz with connector.

(1) DC only

(2) For specifying Latch type coil, please refer to A3P32 (GEM-A3P) valve - How to Order table.

* To order coils manufactured according to your specific requirements, please contact our technical sales department.

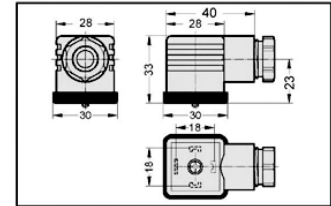
COILS & OPERATORS

Connectors

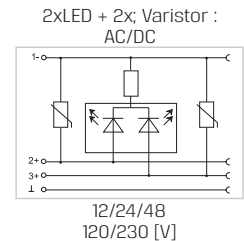
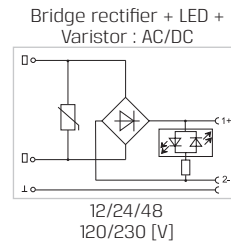
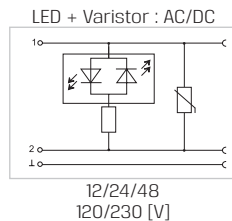
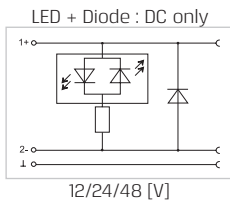
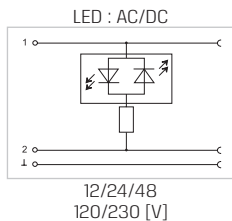
KA DIN 43650-A | GEM-SOL® Coils | ISO 4400

Description

Housing	black/grey/transparent
Contacts	screw with conductor protection
Number of poles	2 or 3 + $\frac{1}{2}$
Contact spacing	18 mm
Cable entry	PG9 - PG11 - 1/2 NPTF
Gasket	NBR profile (other types on request)
Fixing screw	M3 x 32 * Max. tightening torque for the connector screw : 0.5 Nm
Earth position	H12 (opposite to cable entry)
Protection class	IP65 (mated)
Max. conductor section	1.5 mm ²
Standard circuits (housing black-grey)	See "How to Order" coding
Standard circuits (transparent housing)	See "How to Order" coding
LED color (transparent)	Amber



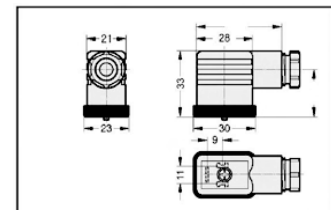
Circuit Versions



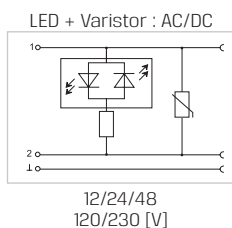
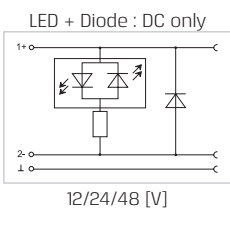
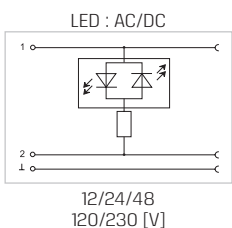
KA DIN 43650-B | G80 Coils | Industrial

Description

Housing	black/grey/transparent
Contacts	screw with conductor protection
Number of poles	2 or 3 + $\frac{1}{2}$
Contact spacing	11 mm
Cable entry	PG7 - PG9
Gasket	NBR profile (other types on request)
Fixing screw	M3 x 32 * Max. tightening torque for the connector screw : 0.5 Nm
Earth position	H12 (opposite to cable entry)
Protection class	IP65 (mated)
Max. conductor section	1.5 mm ²
Standard circuits (housing black-grey)	See "How to Order" coding
Standard circuits (transparent housing)	See "How to Order" coding
LED color (transparent)	Amber



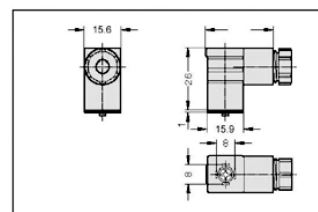
Circuit Versions



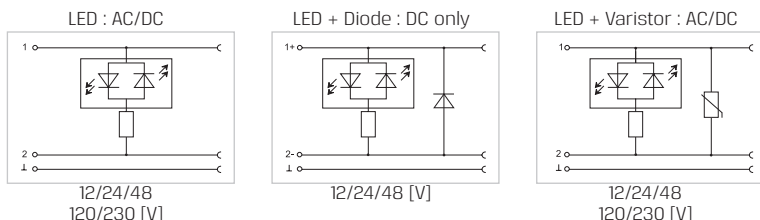
KA DIN 43650-C | G65 Coils

Description

Housing	black/grey/transparent
Contacts	screw with conductor protection
Number of poles	2 or 3 + $\frac{1}{2}$
Contact spacing	8 mm
Cable entry	PG7
Gasket	NBR flat (other types on request)
Fixing screw	M2.5 x 28 * Max. tightening torque for the connector screw : 0.5 Nm
Earth position	H6 (next to cable entry)
Protection class	IP65 (mated)
Max. conductor section	0.75 mm ²
Standard circuits (housing black-grey)	See "How to Order" coding
Standard circuits (transparent housing)	See "How to Order" coding
LED color (transparent)	Amber



Circuit Versions



Technical Data

DESCRIPTION	STANDARD	VALUE
No. of contacts		2 or 3 + $\frac{1}{2}$
Cable entry	P67	cable OD 4-6 mm
	PG9	cable OD 6-8 mm
	PG11	cable OD 8-10 mm
	1/2 NPT	cable OD 8-10 mm
Fixing system		central fixing screw
Termination		screw
Max. contact screw torque	VDE 0627	0.5 Nm
Contact surface		silver plated
Contact material		Cu Sn
Conductor cross-section		0.51.5 mm ²
Housing material		PA + G
Flammability		UL94-V0 on request
Insert material		PA + G
Insert material		NBR or silicon
Protection class (mated)	IEC 60 529	IP65 (mated)
Operating temperature		-40°C / + 125°C
Nominal current		10A (6A KC-KD)
Max. contact current	IEC 60 512-3	max. 16A / 40°C (10A KC-KD)
Rated voltage	IEC 60 664	250V AC / 300V DC
Rated impulse voltage	IEC 60 664	5 kV
Overvoltage category	IEC 60 664	III
Contact resistance	IEC 60 512-2	≤4mΩ
Insulation resistance		VDE 0110 1/89-Class C
Pollution degree	IEC 60 664	3

COILS & OPERATORS

Operators

GEM-SOL® | G80-O

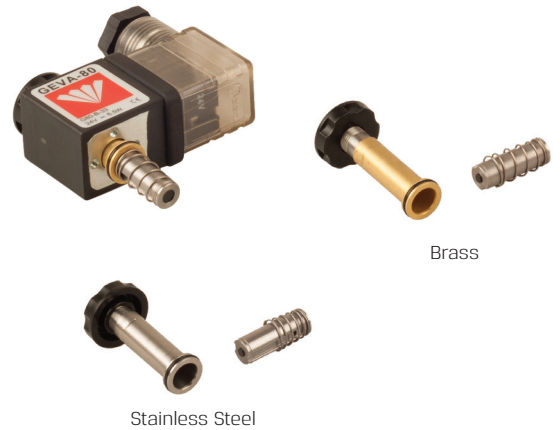
Operator 2 Way, 3 Way NC, NO

Applicable for GEM-SOL® A22(G80-A) & M22(G80-M) valves

Technical Data

Function	2 Way, 3 Way NC, NO
Orifice size	1, 1.2, 1.6mm
Pressure range (bars)	See solenoid valve performances
Temperature range	Fluid : -10°C to 80°C (no freezing) Ambient : -10°C to 50°C
Response time	5 to 12 ms
Materials in contact with media	Operator: Brass or Stainless Steel. AISI 300 & 400 series Shading ring: Copper Note : Operator for DC is without shading ring and may not be used for AC Orifice: Stainless Steel Spring: Stainless Steel AISI 300 series
Media	Air, inert gases, water *
Threads on operator tube	M8x0.75 male and M5 or #10UNF female to connect exhaust, muffler etc.
Operator assembly	Fix the coil with one M8 nut. Max. tightening torque : 2 N/m
Coil fixing	On a G80 operator with M8x0.75 nut
Coil data	See technical G80 coil data
Coil voltage	<ul style="list-style-type: none"> Voltage and power consumption - see table All Baccara coil voltages are ±10% of nominal

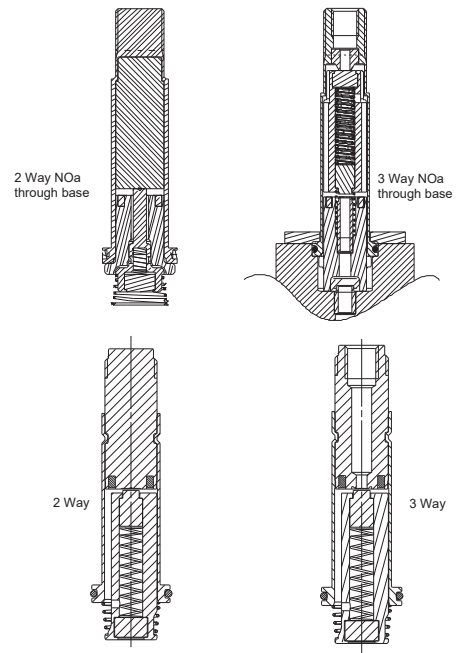
* For other fluids and for use in abnormal conditions, please contact our technical sales department



Voltage & Power Consumption

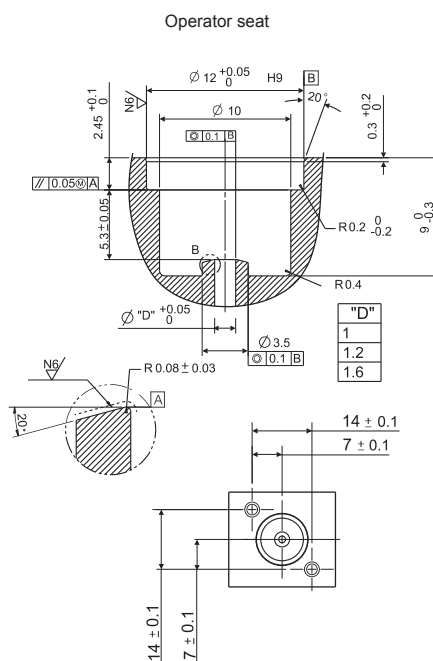
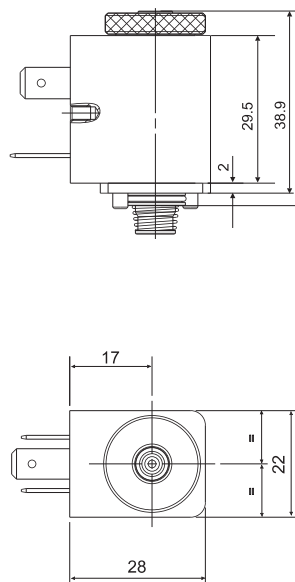
V	AC (W)				DC (W)	
	50 Hz		60 Hz			
6					•	•
12	•	•	•	•	•	•
24	•	•	•	•	•	•
110	•	•	•	•		
230	•	•	•	•		

• Available options



GEM-SOL® | G80-O | Operator 2 Way, 3 Way NC, NO

Dimensions



How to Order

2 Way

G80-O	2W	TUBE	FUNCTION	CURRENT
		Brass 2	2W NC 1	DC 0
		Stainless Steel 3	2WNOa ⁽²⁾ 2a	AC 1

3 Way

G80-O	PORT	TUBE	FUNCTION	CURRENT	ORIFICE
	M5 00	Brass 2	3W NC 3	DC 0	1 1
	#10UNF 01	Stainless Steel 3	3W NO 4	AC 1	1.2 2
	1/8" BSP ⁽¹⁾ 10		3W NOa ⁽²⁾ 4a		1.6 3

* When ordering without coil, please define what current and pressure rating is needed (DC, AC)

SEALS	VOLTAGE	POWER	CONNECTOR
NBR N	W/out coil 0	No coil 0	with 1
FKM V	6 ⁽⁴⁾ 1	AC75W 50Hz 1	surge protection with LED * 3
EPDM E	12 2	AC6W 60Hz 2	flying leads coil * 4
FFKM ⁽³⁾ K	24 3	DC6W 3	other 9
	110 5	AC5W 50Hz 4	
	230 7	AC3W 60Hz 5	
		DC3W 7	

* **SPECIAL OPTIONS** | Extended lead times, Non-stock items, MOQ may be applicable

Example : G80-O-2W210-N-331

GEM-SOL® G80-O Operator, Brass tube, 2W NC, DC, NBR, 24VDC 6W with connector.

Example : G80-O-002302-N-331

GEM-SOL® G80-O Operator, M5, Brass tube, 3W NC, DC, 1.2 orifice, NBR, 24VDC 6W with connector.

(1) Option available with use of an adaptor

(2) Supply pressure through base

(3) FFKM O-ring is available only upon request

When ordering FFKM seals, please consult with our technical sales department about O-ring compound

Available only in 2W NC

(4) DC only

* To order operators manufactured according to your specific requirements, please contact our technical sales department.

COILS & OPERATORS

Operators

GEM-SOL® | G80-OM

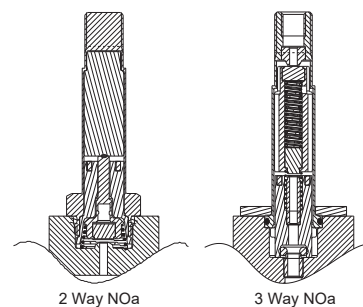
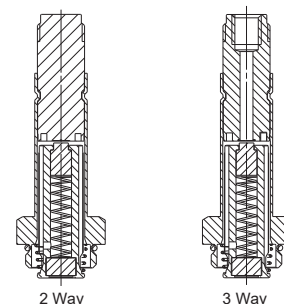
M12 Operator 2 Way, 3 Way NC, NO

Applicable for GEM-SOL® A22 (G80-A) valves

Technical Data

Function	2 Way, 3 Way NC, NO
Orifice size	1, 1.2, 1.6mm
Pressure range (bars)	See solenoid valve performances
Temperature range	Fluid : -10°C to 80°C (no freezing) Ambient : -10°C to 50°C
Response time	5 to 12 ms
Materials in contact with media	Operator: Brass or Stainless Steel AISI 300 & 400 series Shading ring: Copper Note : Operator for DC is without shading ring and may not be used for AC Orifice: Stainless Steel Spring: Stainless Steel AISI 300 series
Media	Air, inert gases, water*
Threads on operator tube	M8x0.75 male and M5 or #10UNF female to connect exhaust, muffler etc.
Operator assembly	Fix the coil with one M8 nut. Max. tightening torque : 2 N/m
Coil fixing	On a G80 operator with M8x0.75 nut
Coil data	See technical G80 coil & wide coil data
Coil voltage	• Voltage and power consumption - see table • All Baccara coil voltages are ±10% of nominal

* For other fluids and for use in abnormal conditions, please contact our technical sales department



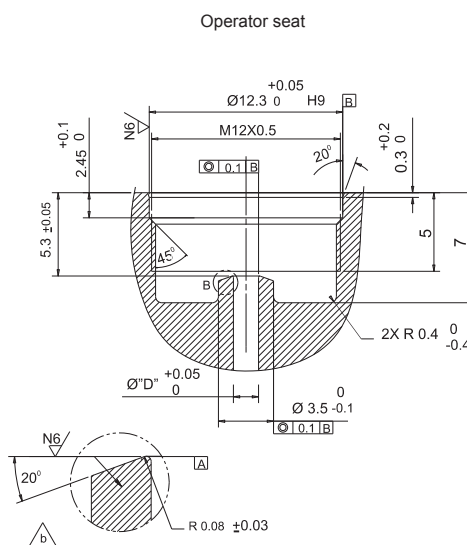
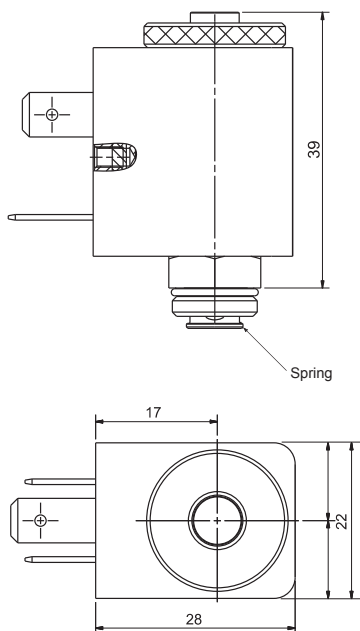
Voltage & Power Consumption

V	AC (W)				DC (W)	
	50 Hz		60 Hz		6	3
6					•	•
12	•	•	•	•	•	•
24	•	•	•	•	•	•
110	•	•	•	•		
230	•	•	•	•		

• Available options

GEM-SOL® | G80-OM | M12 Operator 2 Way, 3 Way NC, NO

Dimensions



How to Order

2 Way

G80-OM	2W	TUBE	FUNCTION	CURRENT
		Brass 2	2W NC 1	DC 0
		Stainless Steel 3	2WNO 2	AC 1
			2WNOa ⁽¹⁾ 2a	

3 Way

G80-OM	PORT	TUBE	FUNCTION	CURRENT	ORIFICE
	None(2W) -	Brass 2	3W NC 3	DC 0	1 1
	M5 00	Stainless Steel 3	3W NO 4	AC 1	1.2 2
	#10UNF 01		3W NOa ⁽¹⁾ 4a		1.6 3

* When ordering without coil, please define what current and pressure rating is needed (DC, AC)

SEALS	VOLTAGE	POWER	CONNECTOR
NBR N	without coil 0	No coil 0	with 1
FKM V	6 ⁽³⁾ 1	AC75W 50Hz 1	surge protection with LED * 3
EPDM E	12 2	AC6W 60Hz 2	flying leads coil * 4
Teflon T	24 3	DC6W 3	other 9
FFKM ⁽²⁾ K	110 5	AC5W 50Hz 4	
	230 7	AC3W 60Hz 5	
		DC3W 7	

* **SPECIAL OPTIONS** | Extended lead times, Non-stock items, MOQ may be applicable

Example : G80-OM-2W210-N-331

GEM-SOL® G80-OM Operator M12, Brass tube, 2W NC, DC, NBR, 24VDC 6W with connector.

Example : G80-OM-002302-N-331

GEM-SOL® G80-OM Operator M12, M5, Brass tube, 3W NC, DC, 1.2 orifice, NBR, 24VDC 6W with connector.

(1) Supply pressure through base

(2) 2 Way NC only

(3) DC only

* To order operators manufactured according to your specific requirements, please contact our technical sales department.

COILS & OPERATORS

Operators

GEM-SOL® | G80-OL

Latch Operator 2 Way, 3 Way NC, NO

Applicable for GEM-SOL® A22 (G80-A) & M22 (G80-M)* valves

* O-ring operator type

Technical Data

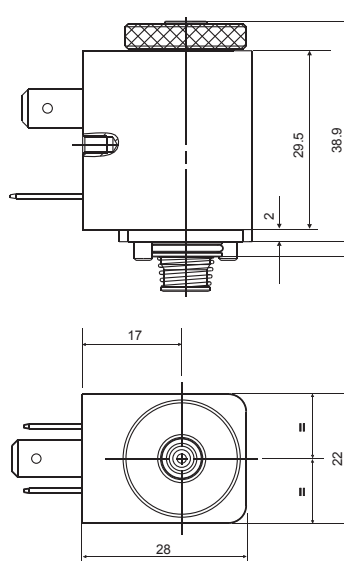
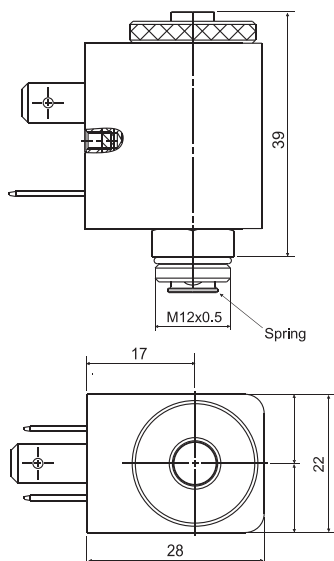
Function	2 Way, 3 Way NC, NO
Orifice size	1, 1.2, 1.6mm
Pressure range (bars)	See solenoid valve performances
Temperature range	Fluid : -10°C to 80°C (no freezing) Ambient : -10°C to 50°C
Response time	5 to 12 ms
Materials in contact with media	Operator: Brass or Stainless Steel AISI 300 & 400 series Orifice: Stainless Steel Spring: Stainless Steel AISI 300 series
Media	Air, inert gases, water*
Threads on operator tube	M8x0.75 male and M5 or #10UNF female to connect exhaust, muffler etc.
Operator assembly	Insert operator into cavity, tighten it by the flange and the two M3 screws. Fix the coil with one M8 nut. Max. tightening torque : 2 N/m
Coil fixing	On a G80 operator with M8x0.75 nut
Coil data	See technical G80 coil data
Coil voltage	<ul style="list-style-type: none">• Voltage and power consumption - see table• All Baccara coil voltages are ±10% of nominal
Operation	<ul style="list-style-type: none">• Compatible with all G80 valves at 12 and 24V DC. Use "L" as the power indicator



* For other fluids and for use in abnormal conditions, please contact our technical sales department.

GEM-SOL® | G80-OL | Latch Operator 2 Way, 3 Way NC, NO

Dimensions



How to Order

* When ordering without coil, please define what current and pressure rating is needed (DC, AC)

G80-OL											* When ordering without coil, please define what current and pressure rating is needed (DC, AC)						
	TYPE	PORT		TUBE		FUNCTION		ORIFICE		SEALS		VOLTAGE		POWER		CONNECTOR	
"O" ring type	Null	M5	00	Brass	2	2W NC	1	None (2W)	0	NBR	N	without coil	0	No coil	0	with	1
M12	M	#10 UNEF	01	Stainless Steel	3	3W NC	3	1	1	FKM	V	6 ⁽¹⁾	1	Latch	L		
3/4" UNEF	U	1/8" BSP	10			3W NO	4	1.2	2	EPDM	E	12	2				
								1.6	3			24	3				

Example : G80-OL-M00232N-3L1

GEM-SOL® G80-OL Latch Operator, M12, M5 port, Brass tube, 3W NC, 1.2 orifice, NBR, 24V DC Latch with connector.

Please provide the following information so that we can determine the most suitable coil :

- Voltage range
- Circuit type
- Current limitation
- Capacitor size (µF)
- Switching time (msec)

(1) DC only

* To order operators manufactured according to your specific requirements, please contact our technical sales department.

COILS & OPERATORS

Operators

GEM-SOL® | GEM-O

Operator 2 Way, 3 Way NC, NO

Applicable for GEM-SOL® A32(GEM-A), S32(GEM-S) & Z32(GEM-Z) valves

Technical Data

Function	2 Way, 3 Way NC, NO
Orifice size	0.8 to 3mm
Pressure range (bars)	See solenoid valve performances
Temperature range	Fluid : -10°C to 80°C (no freezing) Ambient : -10°C to 50°C
Response time	16 to 36 ms complete cycle
Materials in contact with media	Operator: Stainless Steel AISI 300 & 400 series Shading ring: standard - Copper upon request - silver and aluminium Note : Operator for DC is without shading ring and may not be used for AC Orifice: Stainless Steel Spring: Stainless Steel AISI 300 series
Media	Air, gas, water, fuel, oil etc.
Threads on operator tube	G1/4" male and G1/8" or 1/8" NPT female to connect exhaust, muffler etc.
Operator assembly	By screwing M20x1 hexagonal 22mm to the valve body and fixing coil by one G1/4" hexagonal 19mm metal or plastic nut. • Max. tightening torque : 3 N/m
Coil fixing	Any position, can be turned 360° around the operator.
Coil data	See technical GEM-SOL® coil data
Coil voltage	• Voltage and power consumption - see table • All Baccara coil voltages are ±10% of nominal

• ADC operators and valves are suitable for use with AC 8W or DC 10W.

Voltage & Power Consumption

V	AC (W)						DC (W)		
	50 Hz			60 Hz			10	5.5	3.5
6							•	•	•
12	•			•			•	•	•
24	•	•	•	•	•	•	•	•	•
48	•			•			•		
110	•			•	•		•		
120	•			•	•				
220	•	•	•	•			•		
230	•	•		•	•				
240	•			•			•		

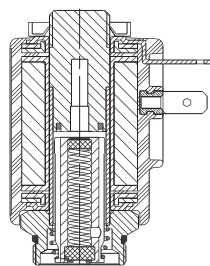
• Available options



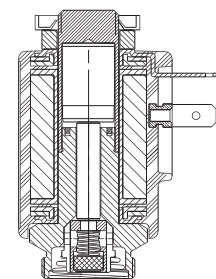
NO through base



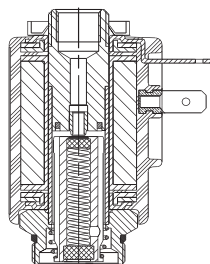
Standard 2 Way/3 Way



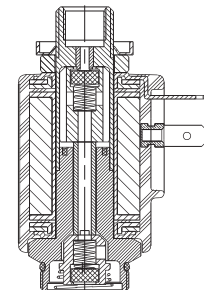
2 Way NC



2 Way NOa through base



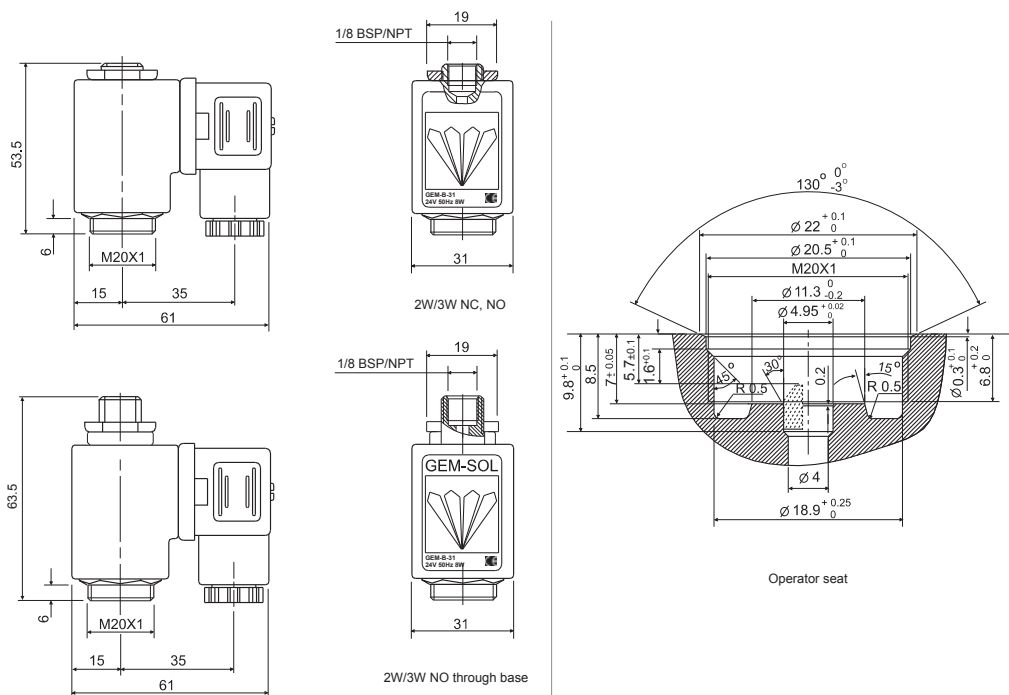
3 Way



3 Way NOa through base

GEM-SOL® | GEM-O | Operator 2 Way, 3 Way NC, NO

Dimensions



How to Order

2 Way

GEM-O	2W	FUNCTION	SEALS	VOLTAGE	POWER	CONNECTOR
		2W NC 1	NBR N	without coil 0	No coil 0	with 1
		2W NO ⁽¹⁾ 2a	FKM V	6 ⁽⁴⁾ 1	AC8W 50Hz 1	with LED 2

3 Way

GEM-O	PORT	FUNCTION	ORIFICE	SEALS	VOLTAGE	POWER	CONNECTOR
	1/8" BSP 10	2W NO 2	0.8 1	EPDM E	12 2	AC8W 60Hz 2	flying leads coil * 4
	1/8" NPT 11	3W NC 3	1.2 2	PTFE ⁽³⁾ T	24 3	DC10W 3	with 1/2" Hub 5
		3W NO 4	1.6 3	FFKM ⁽²⁾ K	48 4	AC5.5W 50Hz 4	surge protection with LED * 6
		3W NO ⁽¹⁾ 4a	2.0 4		110 5	AC5.5W 60Hz 5	connector with moulded cable 7
			2.4 5		120 6	AC2.5W 50/60Hz 6	other 9
			3.0 6		220 7A	DC5.5W 7	
					230 7	DC3.5W 8	
					240 8		
					Latch/other * ⁽⁵⁾ 9		

* **SPECIAL OPTIONS** | Extended lead times, Non-stock items, MOQ may be applicable

Example : GEM-O-2W1-N-341

GEM-SOL® GEM-O Operator 2W NC, NBR, 24V AC 5.5W 50Hz with connector

Example : GEM-O-1034-V-341

GEM-SOL® GEM-O Operator, 1/8" BSP, 3W NC, Orifice 2.0, FKM, 24V AC 5.5W 50Hz with connector

(1) Supply pressure through base

(2) FFKM O-ring is available only upon request

When ordering FFKM seals, please consult with our technical sales department about O-ring compound

(3) For PTFE seals, the O-ring is FKM seal as default. Please contact us if you require a different O-ring material

(4) DC only

(5) For specifying Latch type coil, please refer to A3P32 (GEM-A3P) valve - How to Order table

* **Note:** When ordering without coil, please define what current and pressure rating is needed (DC, AC or ADC), otherwise an ADC valve will be supplied.

* To order operators manufactured according to your specific requirements, please contact our technical sales department.

COILS & OPERATORS

Operators

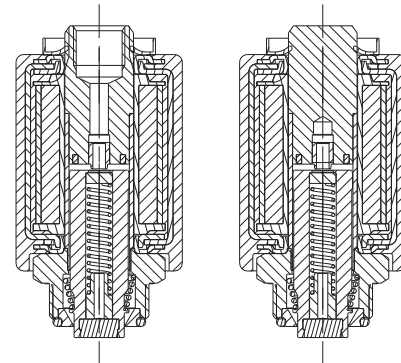
GEM-SOL® | GEM-OG

Operator 3/4" UNEF 2 Way, 3 Way NC, NO

Applicable for GEM-SOL® S32 (GEM-S-4) valves

Technical Data

Function	2 Way, 3 Way NC, NO and Latch
Orifice size	0.8 to 3mm
Pressure range (bars)	See solenoid valve performances
Temperature range	Fluid : -10°C to 80°C (no freezing) Ambient : -10°C to 50°C
Response time	16 to 36 ms complete cycle
Materials in contact with media	Operator: Stainless Steel. AISI 300 & 400 series Shading ring: standard - Copper upon request - silver and aluminium Note : Operator for DC is without shading ring and may not be used for AC Orifice: Stainless Steel Spring: Stainless Steel AISI 300 series
Latch	• Optional
Media	Air, gas, water, fuel, oil etc.
Threads on operator tube	G1/4" male and G1/8" or 1/8" NPT female to connect exhaust, muffler etc.
Operator assembly	By screwing 3/4"-20 UNEF-28 hexagonal 22mm to the valve body and fixing the coil by one G1/4" hexagonal 19mm metal or plastic nut. • Max. tightening torque : 3 N/m
Coil fixing	Any position, can be turned 360° around the operator.
Coil data	See technical GEM-SOL® coil data
Coil voltage	• Voltage and power consumption - see table • All Baccara coil voltages are ±10% of nominal



• ADC operators and valves are suitable for use with AC 8W or DC 10W.

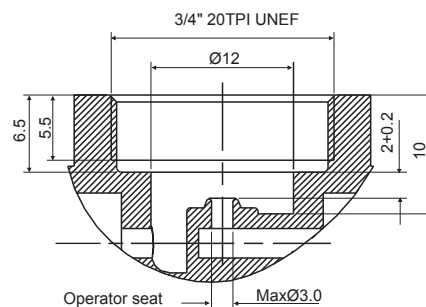
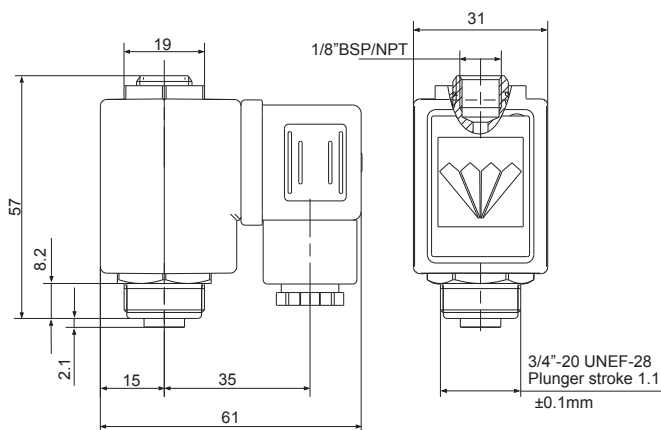
Voltage & Power Consumption

V	AC (W)						DC (W)		
	50 Hz			60 Hz			10	5.5	3.5
6							•	•	•
12	•			•			•	•	•
24	•	•	•	•	•	•	•	•	•
48	•			•			•		
110	•			•	•		•		
120	•			•	•				
220	•	•	•	•			•		
230	•	•		•	•				
240	•			•			•		

• Available options

GEM-SOL® | GEM-OG | Operator 3/4" UNEF 2 Way, 3 Way NC, NO

Dimensions



Operator seat

How to Order

2 Way

GEM-OG	-	2W	FUNCTION
			2W NC 1
			2W NO ⁽¹⁾ 2a

3 Way

GEM-OG	-	PORT	FUNCTION	ORIFICE
		1/8" BSP 10	2W NO 2	0.8 1
		1/8" NPT 11	3W NC 3	1.2 2
			3W NO 4	1.6 3
				2.0 4
				2.4 5
				3.0 6

SEALS	-	VOLTAGE	POWER	CONNECTOR
NBR N		W/out coil 0	No coil 0	with 1
FKM V		6 ⁽²⁾ 1	AC8W 50Hz 1	with LED 2
EPDM E		12 2	AC8W 60Hz 2	flying leads coil * 4
		24 3	DC10W 3	with 1/2" Hub 5
		48 4	AC5.5W 50Hz 4	surge protection with LED * 6
		110 5	AC5.5W 60Hz 5	connector with moulded cable 7
		120 6	AC2.5W 50/60Hz 6	other 9
		220 7A	DC5.5W 7	
		230 7	DC3.5W 8	
		240 8		
		Latch/other * ⁽³⁾ 9		

Example : GEM-OG-2W1-N-341

GEM-SOL® GEM-OG Operator, 2W NC, NBR, 24V AC 5.5W 50Hz with connector

Example : GEM-OG-1034-V-341

GEM-SOL® GEM-OG Operator, 1/8" BSP, 3W NC, 2.0, FKM, 24V AC 5.5W 50Hz with connector

(1) Supply pressure through base

(2) DC only

(3) For specifying Latch type coil, please refer to A3P32 (GEM-A3P) valve - How to Order table.

* Note: When ordering without coil, please define what current and pressure rating is needed (DC, AC or ADC), otherwise an ADC valve will be supplied.

* To order operators manufactured according to your specific requirements, please contact our technical sales department.

b **BACCARA**[®]
AUTOMATION & CONTROL



PROCESS VALVES

GLOBE

GC	3/4"-2" 2 Way NC (Plastic).....	84
GC	General Purpose 3/4"-2" 3 Way (Plastic).....	86
GC	1/4"-1" 2 Way NC (Metal).....	88
GC-SM	Stackable Manifold 1/4", 1/2" 2 Way NC, NO.....	90



Process Valves

Globe | Plastic

GC

Special

3/4"-2" | 2 Way NC

Technical Data

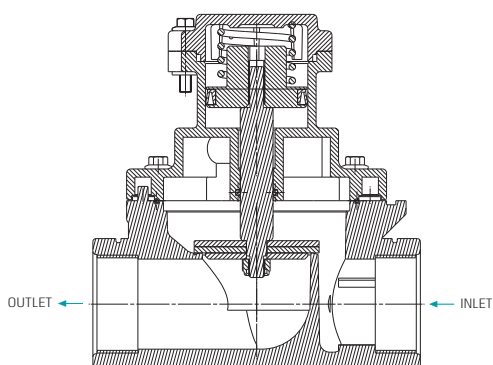
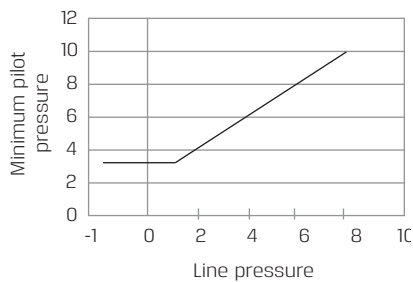
Function	2 Way NC
Ports size	3/4", 1", 1-1/2", 2" BSP & NPT
Pressure range	See table
Temperature range	Fluid : -5°C to 60°C (no freezing) Ambient : -10°C to 50°C
Materials in contact with media	Main Valve: Plastic (Reinforced Nylon 6) Diaphragm: NBR, FKM, EPDM, Polyurethane



2" | 2 Way NC

Pressure (bar) & Flow

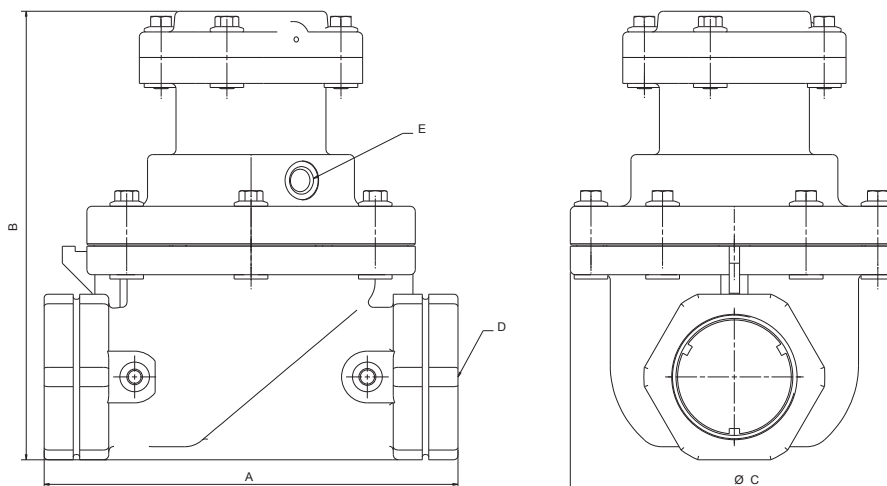
Size	Orifice (mm)	Line Pressure
3/4", 1"	27	Vacuum - 10 bar
1-1/2", 2"	55	Vacuum - 10 bar



GC | 3/4"-2" | 2 Way NC

Dimensions

Size	A	B	C	D	E
3/4"	110	108	81	3/4"	1/8"BSP/NPT
1"	110	108	81	1"	1/8"BSP/NPT
1-1/2"	160	174	127	1-1/2"	1/8"BSP/NPT
2"	170	185	127	2"	1/8"BSP/NPT



How to Order

GC	BODY	TYPE	PORT	FUNCTION	SEALS				
Plastic	4	Globe	1	3/4" BSP	50	2W NC	1	NBR	N
				3/4" NPT	51			FKM	V
				1" BSP	60			EPDM	E
				1" NPT	61			Polyurethane	P
				1-1/2" BSP	70				
				1-1/2" NPT	71				
				2" BSP	80				
				2" NPT	81				

Example : GC-4160-1N

GC Plastic, Globe, 1" BSP, 2W NC, NBR seals

* To order valves manufactured according to your specific requirements, please contact our technical sales department.

Process Valves

Globe | Plastic

GC

Special

General Purpose 3/4"-2" | 3 Way

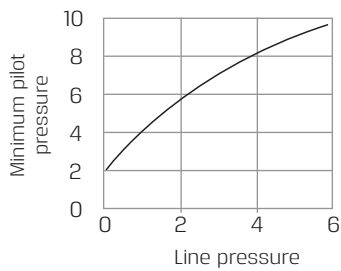
Technical Data

Function	3 Way
Ports size	3/4", 1", 1-1/2", 2" BSP & NPT
Pressure range	See table
Temperature range	Fluid : -5°C to 60°C (no freezing) Ambient : -10°C to 50°C
Materials in contact with media	Main Valve: Plastic (Reinforced Nylon 6) Seal seat: Polyurethane

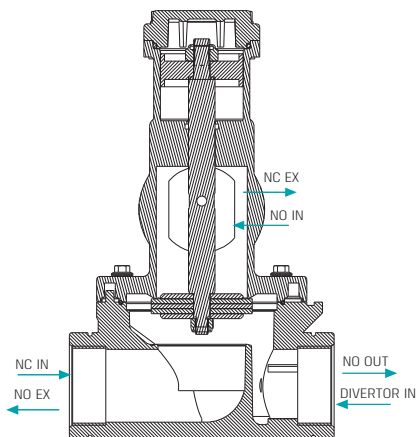
- Use a 5x2 pilot valve to control the valve.

Pressure (bar) & Flow

Size	Orifice (mm)	Line Pressure
3/4", 1"	27	Vacuum - 5 bar
1-1/2", 2"	55	Vacuum - 5 bar

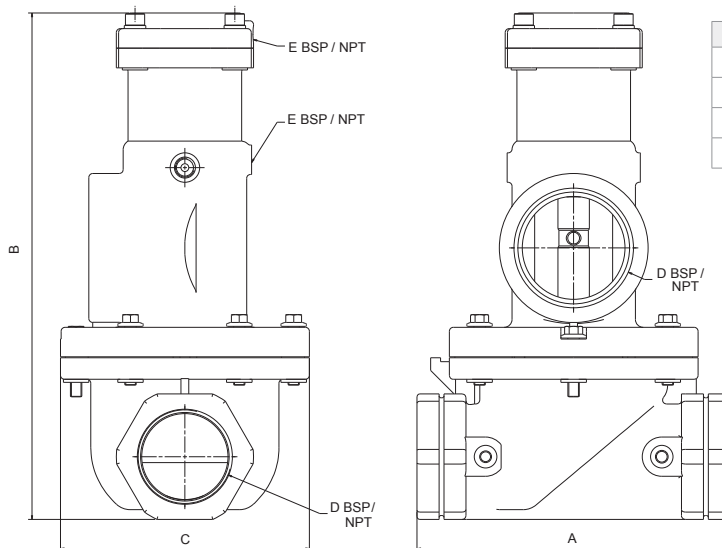


1-1/2" | General purpose



GC | General Purpose 3/4"-2" | 3 Way

Dimensions



Size	A	B	C	D	E
3/4"	110	142	81	3/4"	1/8" BSP/NPT
1"	110	142	81	1"	1/8" BSP/NPT
1-1/2"	160	264	126	1-1/2"	1/8" BSP/NPT
2"	170	274	126	2"	1/8" BSP/NPT

How to Order

GC	BODY	TYPE	PORT	FUNCTION	SEALS		
	Plastic	4	Globe	1			
			3/4" BSP	50	General purpose	9	
			3/4" NPT	51		Polyurethane	P
			1" BSP	60			
			1" NPT	61			
			1-1/2" BSP	70			
			1-1/2" NPT	71			
			2" BSP	80			
			2" NPT	81			

Example : GC-4160-9P

GC Plastic, Globe, 1" BSP, 3 Way, Polyurethane seals

* To order valves manufactured according to your specific requirements, please contact our technical sales department.

Process Valves

Globe | Metal

GC

Special

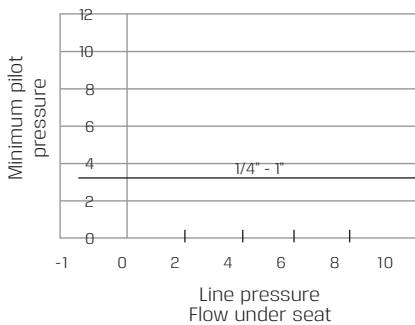
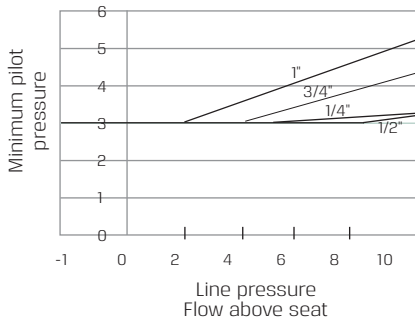
1/4"-1" | 2 Way NC

Technical Data

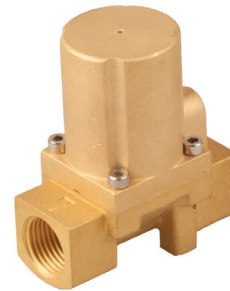
Function	2 Way NC
Ports size	1/4", 3/8", 1/2", 3/4", 1" BSP & NPT
Pressure range	See table
Temperature range	Fluid : -5°C to 60°C (no freezing) Ambient : -10°C to 50°C
Materials in contact with media	Main Valve: Brass or Stainless Steel AISI 316 Seals: NBR/PU, FKM, EPDM and PTFE

Pressure (bar) & Flow

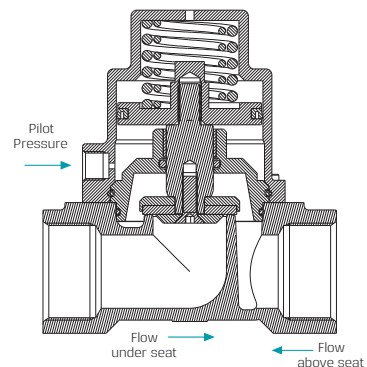
Size	Orifice (mm)	Line Pressure
1/4"	8	Vacuum - 10 bar
3/8", 1/2"	12	Vacuum - 10 bar
3/4"	20	Vacuum - 10 bar
1"	25	Vacuum - 10 bar



Plastic cover



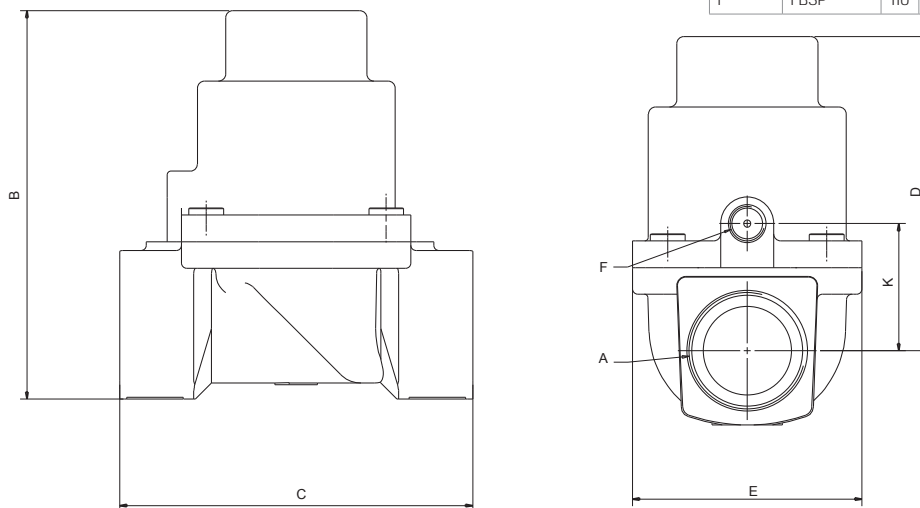
Brass cover



GC | 1/4"-1" | 2 Way NC

Dimensions

Size	A	B	C	D	E	K	F
1/4"	1/4"BSP	62	58	50	32	23	1/8"BSP
3/8",1/2"	3/8",1/2"BSP	78	69	65	38	27	1/8"BSP
3/4"	3/4"BSP	86	89	69	55	34	1/8"BSP
1"	1"BSP	110	100	89	65	36	1/8"BSP



How to Order

GC	BODY	TYPE	PORT	FUNCTION	SEALS				
Brass	2	Globe	1	1/4" BSP	20	2W NC	1	NBR/PU	N
Stainless Steel	3			1/4" NPT	21	2W NC bidirectional	1a	FKM	V
				3/8" BSP	30			EPDM	E
				3/8" NPT	31			PTFE	T
				1/2" BSP	40				
				1/2" NPT	41				
				3/4" BSP	50				
				3/4" NPT	51				
				1" BSP	60				
				1" NPT	61				

Example : GC-2160-1E

GC Brass, Globe 1" BSP, 2W NC, EPDM seals

* To order valves manufactured according to your specific requirements, please contact our technical sales department.

Process Valves

Globe | Manifold

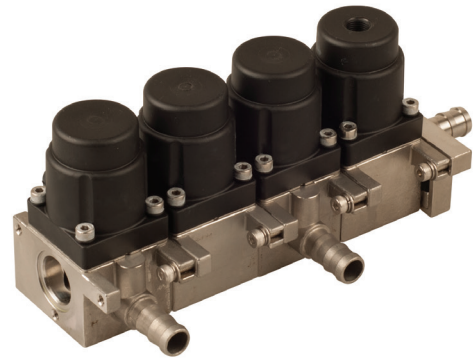
GC-SM

Special

Stackable manifold 1/4", 1/2" | 2 Way NC, NO

Technical Data

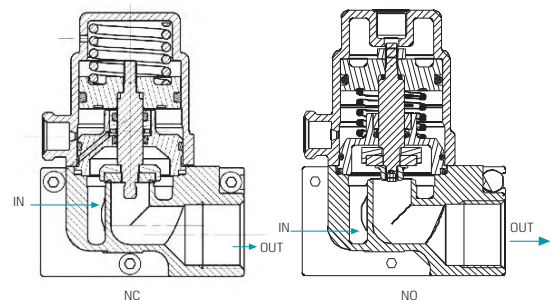
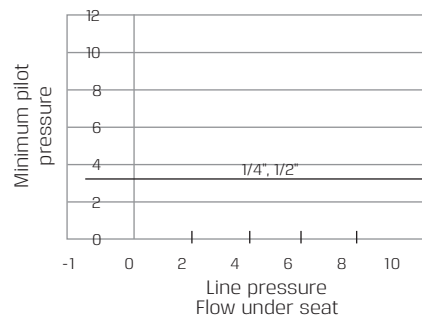
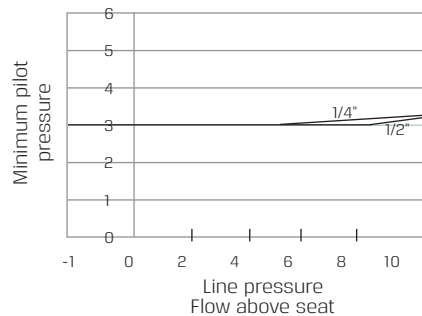
Function	2 Way NC, NO
Ports size	1/4", 1/2" BSP & NPT
Pressure range	See table
Temperature range	Fluid : -5°C to 60°C (no freezing) Ambient : -10°C to 50°C
Materials in contact with media	Main Valve: Brass or Stainless Steel AISI 316 Seals: NBR, FKM, EPDM



4 stations | Stainless Steel

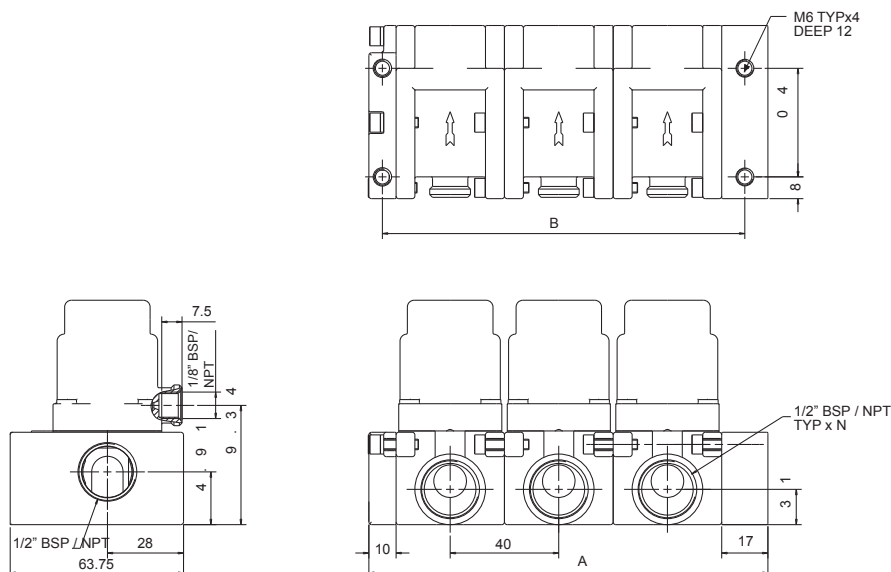
Pressure (bar) & Flow

Size	Orifice (mm)	Line Pressure
1/4"	8	Vacuum - 10 bar
1/2"	12	Vacuum - 10 bar



GC-SM | Stackable manifold 1/4", 1/2" | 2 Way NC, NO

Dimensions



A	B
27+40xN	13.5+40xN

N = number of stations

How to Order

GC-SM	No. of STATIONS	BODY	PORT	FUNCTION	SEALS		
specify quantity	Brass	2	1/4" BSP ⁽¹⁾	20	2W NC	1 NBR N	
	Stainless Steel	3	1/4" NPT ⁽¹⁾	21	2W NC bidirectional	1a FKM V	
				1/2" BSP	40	2W NO	2 EPDM E
				1/2" NPT	41		

Example : GC-SM-02240-1N

GC-SM Globe Manifold, 2 station, Brass, 1/2" BSP, 2W NC, NBR seals

(1) Only available in Brass

* To order manifolds manufactured according to your specific requirements, please contact our technical sales department.



INSTRUMENTATION & CONTROL

GEM-SOL® | GEM-T&T1

Digital dual & global timer condensers.....94



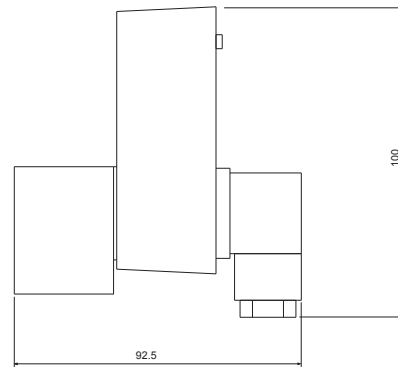
GEM-SOL® | GEM-T&T1



Digital dual & global timer condensers

Technical Data

Valve specifications	See table
Pressure	See table • Higher pressures are available
Digital Dual Condenser Timer (T) Time ranges	Off : 0-99.59 mins On : 0-59 sec
Digital Global Condenser Timer (T1) Time ranges	Off : 0-24 hrs On : 0-24 hrs
Electrical connection	• AMP pins, DIN 46242, • 2 poles + 1 earth
Ambient temperature	-10°C to 50°C
Operation *	• Flash memory to store programme • Automatic sleep mode when no power detected • Can be programmed without connection to power supply *see manual for all options
Weight	64 gr.
Digital Display	Count down ON and OFF times. Manual override : press keys for 2 seconds.
Time Adjustment	• Press SET for 2 seconds • Press ADJ to adjust ON time • Press SET • Press ADJ to adjust OFF -time seconds • Press SET • Press ADJ to adjust OFF -time minutes • Press SET
Voltage	Voltage and power consumption - see table
Standard / Certification	CE
Standard protection class	IP65 when installed with a connector on coil



Valve

Valve size	GEM-SOL® Valve type	Orifice (mm)	Kv(l/min)
1/8"	I32 (GEM-I)	3	3.8
1/4"	I32 (GEM-I)	3	3.8
3/8"	S32 (GEM-S)	8	16
1/2"	S32 (GEM-S)	12	35
3/4"	S32 (GEM-S)	25	136

How to Order

GEM-T		GEM-T1		PORT	VOLTAGE	CONNECTOR
w/out valve	00	w/out coil	0	without	0	
1/8" BSP	10	24V AC	3	with	1	
1/8" NPT	11	48V AC	4	with LED	2	
1/4" BSP	20	110V AC	5			
1/4" NPT	21	120V AC	6			
3/8" BSP	30	220V AC	7A			
3/8" NPT	31	230V AC	7			
1/2" BSP	40	240V AC	8			
1/2" NPT	41	other	9			
3/4" BSP	50					
3/4" NPT	51					

Voltage & Power Consumption

V	AC (W) 50/60 Hz	DC (W)
6		
12		
24	•	
48	•	
110	•	
120	•	
220		
230	•	
240	•	

• Available options

Example : GEM-T-20-51

GEM-SOL® GEM-T 1/4" BSP, 110V AC coil with connector
T : Dual Timer
T1 : Global Timer

* To order timers manufactured according to your specific requirements, please contact our technical sales department.

b **BACCARA**[®]
AUTOMATION & CONTROL



PNEUMATIC VALVES

GENERAL PURPOSE

3 PORT 1/8" PILOT VALVES	98
BC 1/4 BODY PORTED VALVES	100
MECHANICALLY OPERATED	101
AIR OPERATED	103
SOLENOID OPERATED	105
MANIFOLD	109



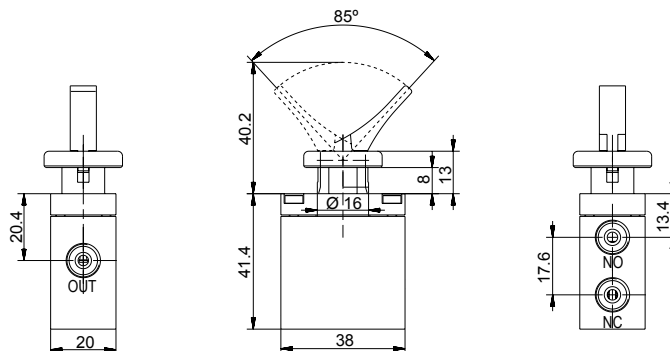
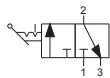
3 Port 1/8" Pilot Valves

- Available in NC or NO option
- Port size : 1/8" BSP

Technical Data

Material	Brass
Fluid	Air / Inert gas * *For other fluids, please consult with our technical sales department
Operation pressure	NC : 10 bar NO : 7 bar
Ambient temperature	-5° to 55°C
Lubrication	Not required (use turbine oil class ISO VG32 if lubricated)
Port size	1/8" BSP
Pilot pressure	Air-Spring : 2 - 10 bar

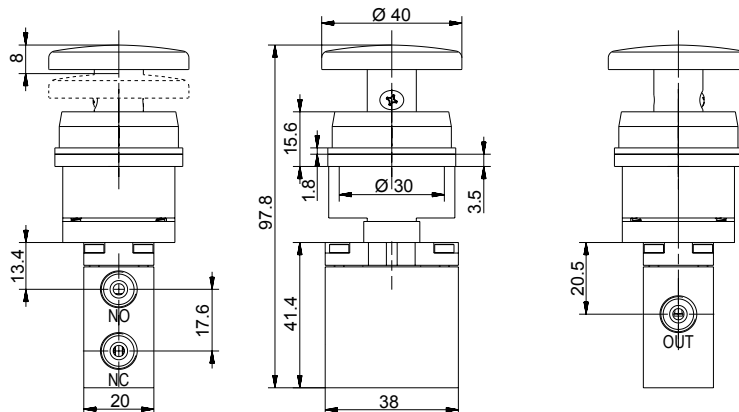
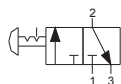
Lever



How to Order

33-13-B	-	FUNCTION
		NC 1
		NO 2

Emergency lock Push-Button



How to Order

33-111-B-E-S	-	FUNCTION
		NC 1
		NO 2

PNEUMATIC VALVES | General Purpose

BC Series

BC 1/4" Body Ported Valves

- 5 port valves - mechanical, air and solenoid
- 3 port (only Sol-Spring)
- Port size : 1/4" BSP
- Can be used as an independent valve or installed on a manifold.

Technical Data

Fluid	Air / Inert gas
Operation pressure	1.5 to 10 bar
Ambient temperature	-5° to 55° C (option for FKM seals) up to 150° C
Lubrication	Not required (use turbine oil class ISO VG32 if lubricated)
Port size	1/4" BSP
Flow rate (Air)	1,100 L/min (at 5.5 bar)



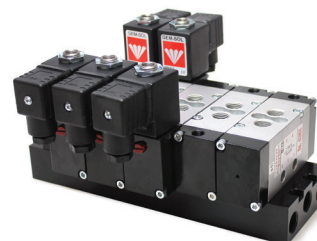
Mechanically Operated



Air Operated



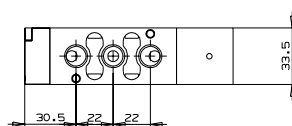
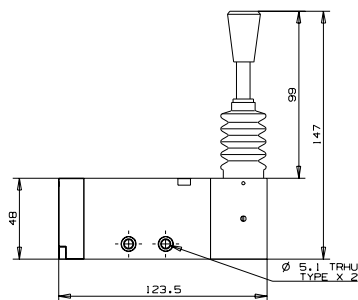
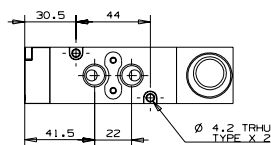
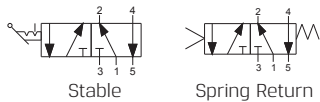
Solenoid Operated



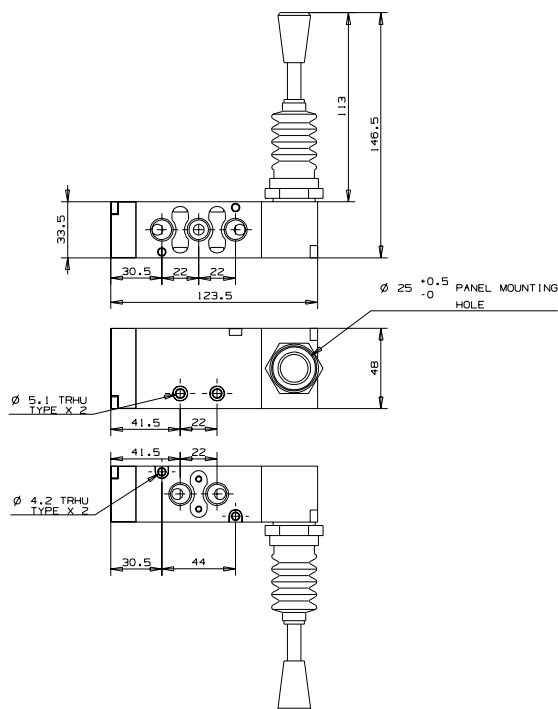
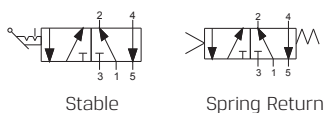
Manifold

BC | Mechanically Operated

BCM5 | Lever Protec



BCM5-PM | Lever Protec Panel Mounting



How to Order

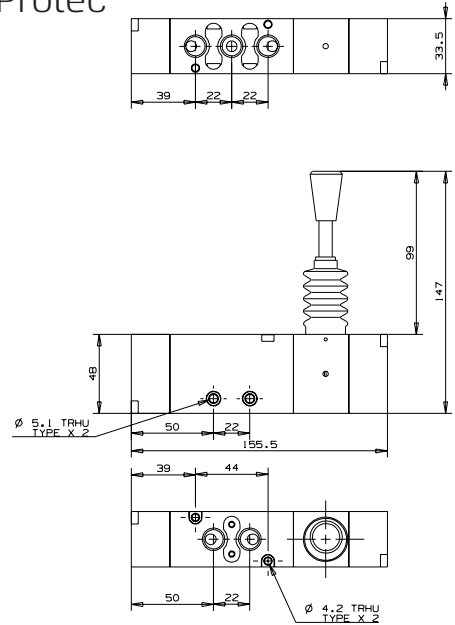
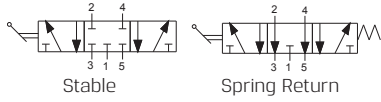
BCM5	MODEL	ACTUATOR TYPE
w/out panel mounting	Nil	Stable D
with panel mounting	PM	Spring Return S

PNEUMATIC VALVES | General Purpose

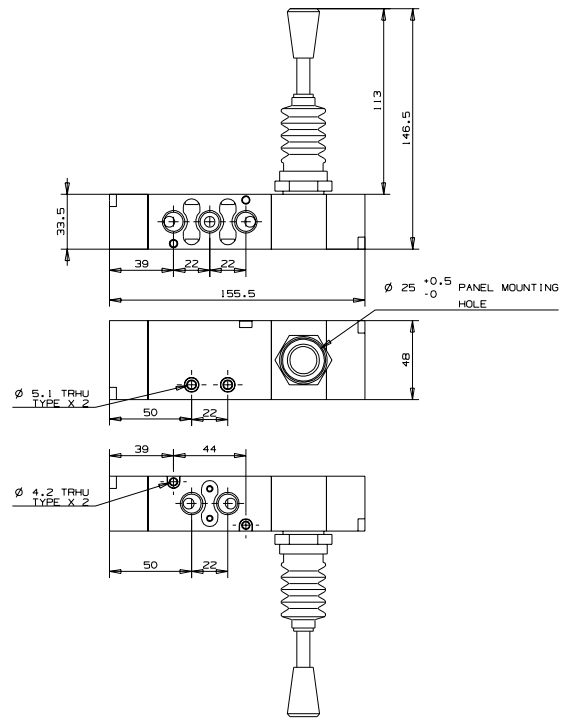
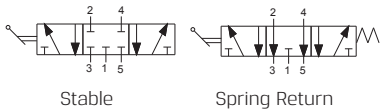
BC Series | 1/4" Body Ported Valves

BC | Mechanically Operated

BCM5 | 3 Position Closed & Open Center Lever Protec



BCM5-PM | 3 Position Closed & Open Center Lever Protec Panel Mounting



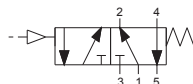
How to Order

BCM5	MODEL	FUNCTION	ACTUATOR TYPE
w/out panel mounting ⁽¹⁾	Nil	Closed Center P	Stable D
with panel mounting	PM	Exhaust Center U Pressure Center Y	Spring Return S

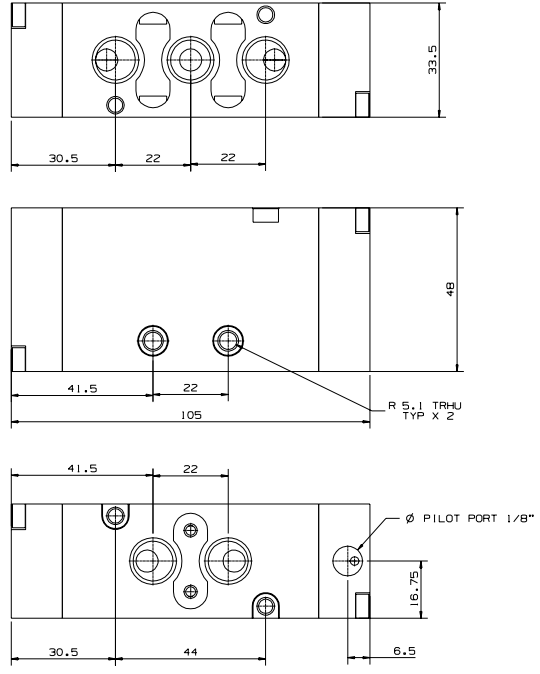
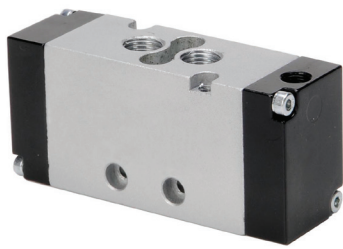
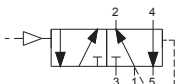
(1) Can be installed on a manifold (body ported type)

BC | Air Operated

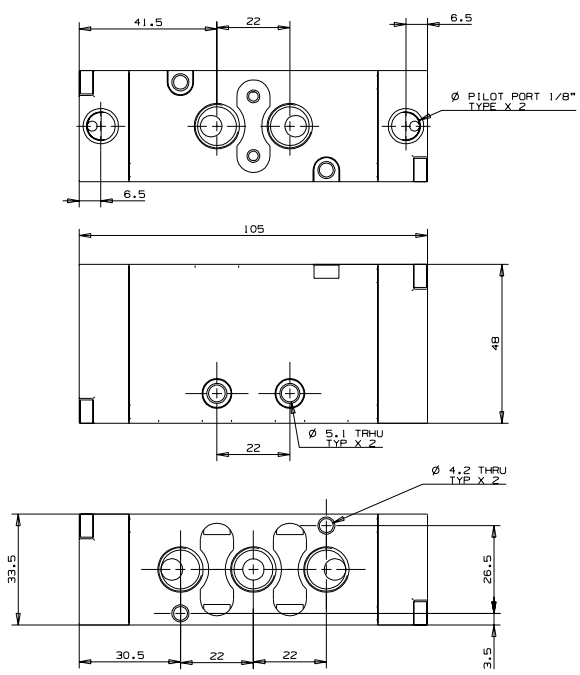
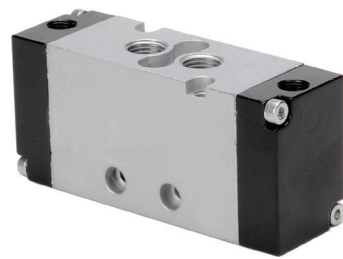
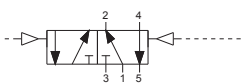
BCA5-S | Air-Spring



BCA5-DF | Air-Differential



BDA5-D | Air-Air



How to Order

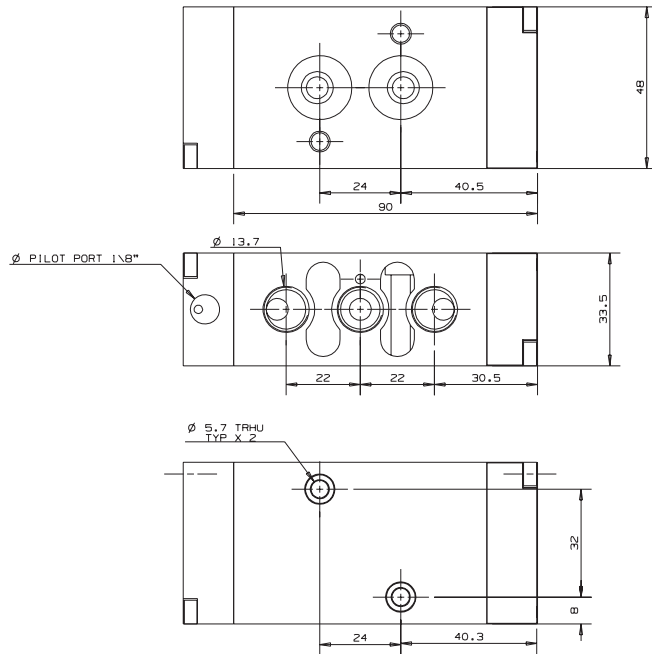
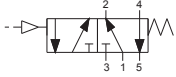
BCA5	-	TYPE
		Air-Spring S
		Air-Dif DF
		Air-Air D

PNEUMATIC VALVES | General Purpose

BC Series | 1/4" Body Ported Valves

BC | Air Operated

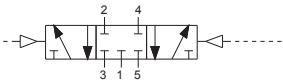
BCA-N | NAMUR type Air-Spring



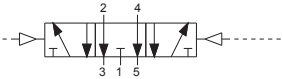
How to Order

BCA - N - S

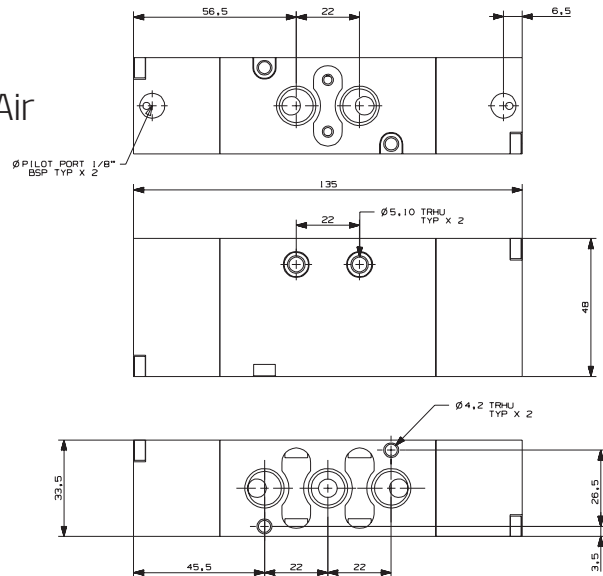
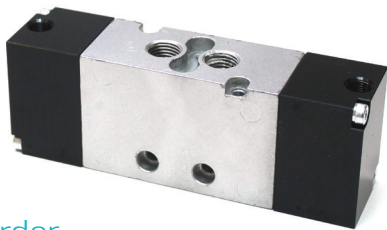
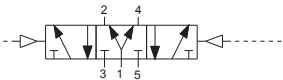
BCA5-P | 3 Position Closed Center Air-Air



BCA5-U | 3 Position Exhaust Center Air-Air



BCA5-Y | 3 Position Pressure Center Air-Air

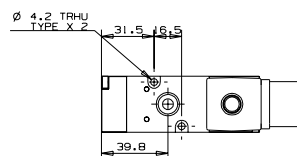
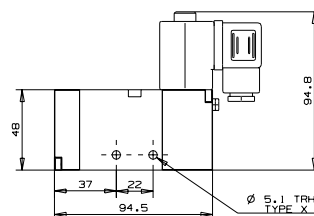
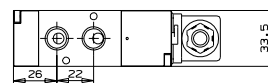
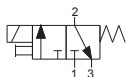


How to Order

BCA5	-	FUNCTION
		Closed Center P
		Exhaust Center U
		Pressure Center Y

BC | Solenoid Operated

BCS3 | Sol-Spring

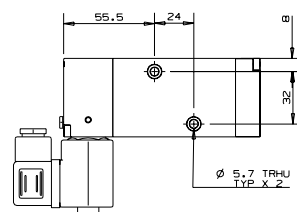
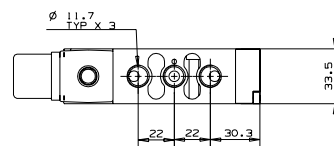
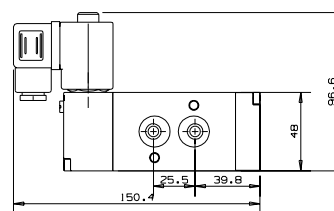
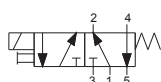


How to Order

BCS3	FUNCTION	MANUAL OVERRIDE	COIL VOLTAGE	POWER	CONNECTOR
	NC 1	None 0	without 0	none 0	without 0
	NO 2	Plastic 1	6 1	AC 8W50Hz 1	standard 1
		Brass slot 2 ⁽¹⁾	12 2		with LED 2
		non-locking St.st knob 3 ⁽¹⁾	24 3	AC 8W60Hz 2	with LED + surge protection 3
		locking St.st knob 4 ⁽¹⁾	48 4	DC 10W 3	with 1/2" hub 4
			110 5		
			120 6		
			230 7		
			240 8		
			other 9		

(1) Special order

BCS-N | NAMUR type Sol-Spring



How to Order

BCS	N	MANUAL OVERRIDE	COIL VOLTAGE	POWER	CONNECTOR
		None 0	without 0	none 0	without 0
		Plastic 1	6 1	AC 8W50Hz 1	standard 1
		Brass slot 2 ⁽¹⁾	12 2		with LED 2
		non-locking St.st knob 3 ⁽¹⁾	24 3	AC 8W60Hz 2	with LED + surge protection 3
		locking St.st knob 4 ⁽¹⁾	48 4	DC 10W 3	with 1/2" hub 4
			110 5		
			120 6		
			230 7		
			240 8		
			other 9		

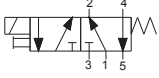
(1) Special order

PNEUMATIC VALVES | General Purpose

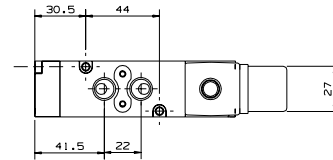
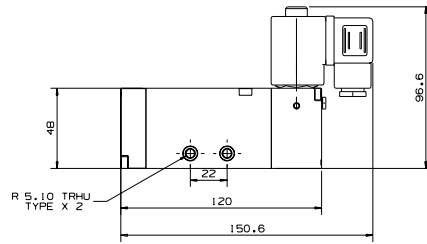
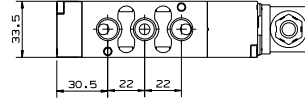
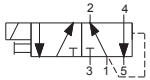
BC Series | 1/4" Body Ported Valves

BC | Solenoid Operated

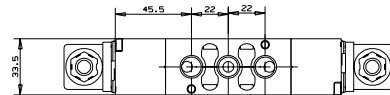
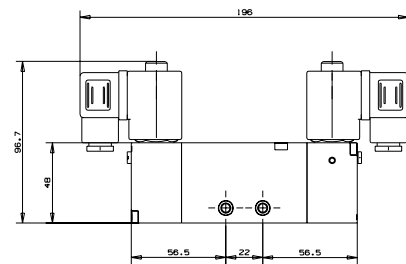
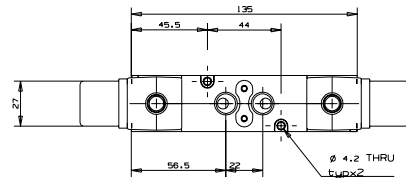
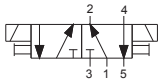
BCS5-S | Sol-Spring Return



BCS5-DF | Sol-Differential



BCS5-D | Sol-Sol



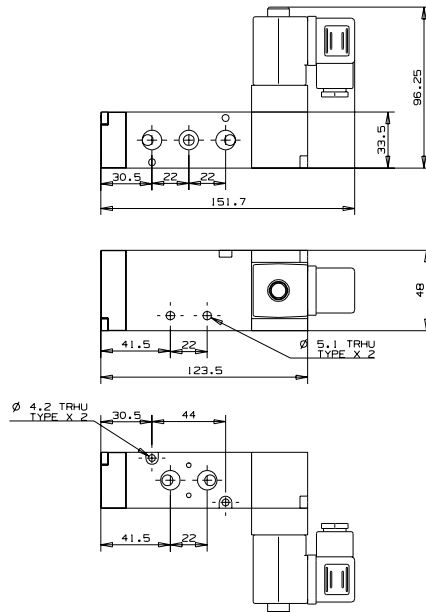
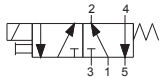
How to Order

BCS5	TYPE	MANUAL OVERRIDE	COIL VOLTAGE	POWER	CONNECTOR
	Sol-Spring S	None	0	without	0
	Sol-Dif DF	Plastic	1	6	1
	Sol-Sol D	Brass slot	2 ⁽¹⁾	12	2
		non-locking	3 ⁽¹⁾	24	3
		St.st knob	4 ⁽¹⁾	48	4
		locking	5 ⁽¹⁾	110	5
		St.st knob	6 ⁽¹⁾	120	6
			7	230	7
			8	240	8
			9	other	9

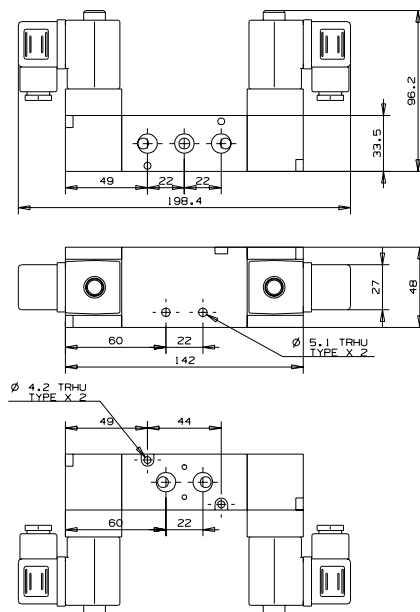
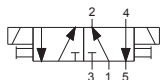
(1) Special order

BC | Solenoid Operated

BCS5-90S | Coil position 90° Sol-Spring



BCS5-90D | Coil position 90° Sol-Sol



How to Order

BCS5	90□	MANUAL OVERRIDE	COIL VOLTAGE	POWER	CONNECTOR	
Sol-Spring	S	None	0	without	0	
Sol-Sol	D	Plastic	1	6	without	0
		Brass slot	2 ⁽¹⁾	12	AC	1
		non-locking	24	2	8W50Hz	1
		St.st knob	3 ⁽¹⁾	24	AC	2
		locking	48	3	8W60Hz	2
		St.st knob	4 ⁽¹⁾	48	DC 10W	3
			110	4		3
			120	5		3
			120	6		3
			230	7		3
			240	7		3
			240	8		3
			other	8		3
				9		3
					with LED + surge protection	3
					with 1/2" hub	4

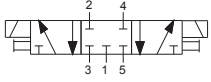
(1) Special order

PNEUMATIC VALVES | General Purpose

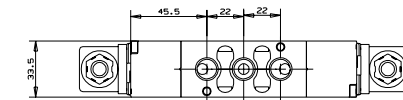
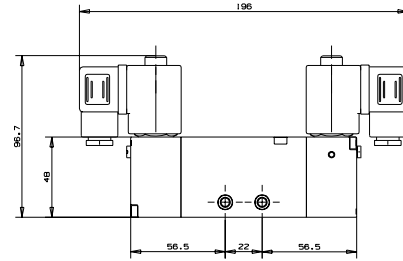
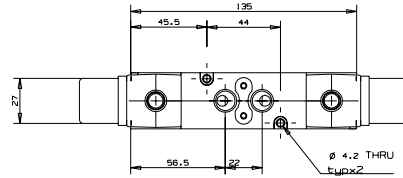
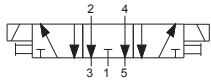
BC Series | 1/4" Body Ported Valves

BC | Solenoid Operated

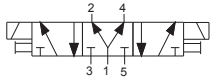
BCS53-P | 3 Position Closed Center Sol-Sol



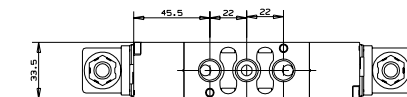
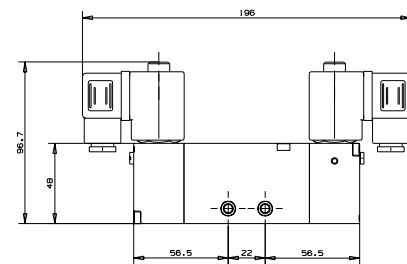
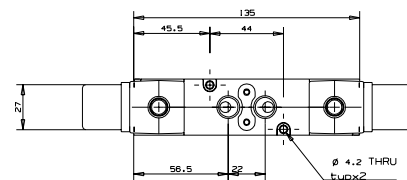
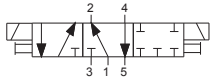
BCS53-U | 3 Position Exhaust Center Sol-Sol



BCS53-Y | 3 Position Pressure Center Sol-Sol



BCS53-A | 3 Position Shelf Control Sol-Sol



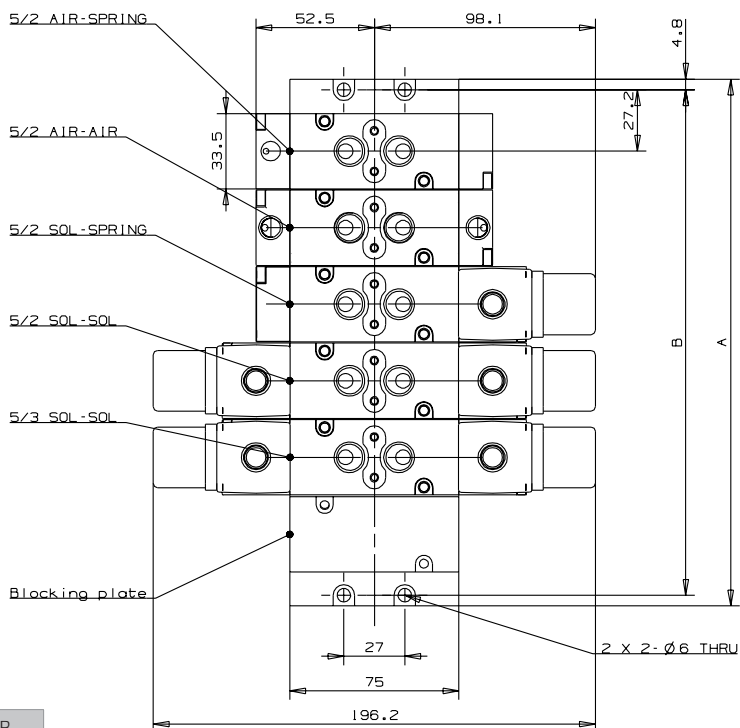
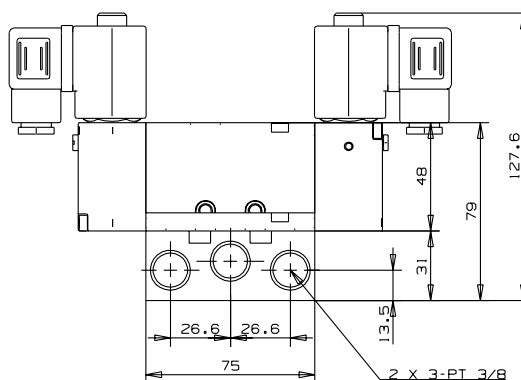
How to Order

BCS53	FUNCTION	MANUAL OVERRIDE	COIL VOLTAGE	POWER	CONNECTOR		
	Closed Center	None	0	without 0	without 0		
	Center	Plastic	1	6	AC 1	standard 1	
	Exhaust Center	Brass slot	2 ⁽¹⁾	12	2	8W50Hz 1	with LED 2
	Center	non-locking	3 ⁽¹⁾	24	3	AC 2	with LED + surge protection 3
	Pressure Center	St.st knob	4 ⁽¹⁾	48	4	8W60Hz 2	DC 10W 3
	Center	locking	5 ⁽¹⁾	110	5	DC 10W 3	
	Shelf Control	St.st knob	6 ⁽¹⁾	120	6		with 1/2" hub 4
			7	230	7		
			8	240	8		
			9	other	9		

(1) Special order

BC | Manifold

BC-BP | Manifold



How to Order

BC	-	BP	-	No. OF STATIONS
				2
				3
				4
				6

No. of stations	A (mm)	B (mm)
2	128	118.5
3	162	152.5
4	196	186.5
6	264	254.5

PNEUMATIC VALVES | General Purpose


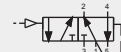

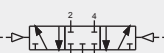

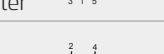

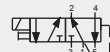
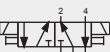


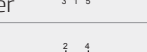

BC Series | 1/4" Body Ported Valves

BC | Manifold

Manifold Specification Sheet

Manifold Model : BC-BP-□

Mark required stations with an "x"

VALVE DESCRIPTION	* STATIONS					
	1	2	3	4	5	6
Air-Spring 						
Air-Dif 						
Air-Air 						
Air-Air 3 Position Closed Center 						
Air-Air 3 Position Exhaust Center 						
Air-Air 3 Position Pressure Center 						
Sol-Spring 						
Sol-Dif 						
Sol - Sol 						
Sol - Sol 3 Position Closed Center 						
Sol-Sol 3 Position Exhaust Center 						
Sol-Sol 3 Position Pressure Center 						
Sol-Sol 3 Position Shelf Control 						

* Station No.1 starts from the left side of the manifold

b **BACCARA**[®]
AUTOMATION & CONTROL



PNEUMATIC VALVES

BRASS HEAVY DUTY

PE VALVES

MECHANICALLY OPERATED	114
AIR OPERATED	138
SOLENOID OPERATED	148



PNEUMATIC VALVES | Brass Heavy Duty PE Series

PE | Mechanically Operated

- Heavy duty brass valves, mechanically operated
- 3/2, 5/2, 5/3
- Port size : 1/4" & 1/2" BSP & NPT

Application

- Suitable for use in aggressive environments such as mining, cement manufacturing and flour milling industries.

Technical Data

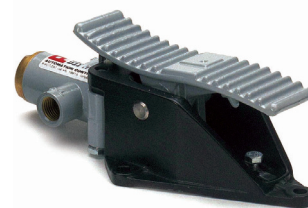
Fluid	Air / Inert gas / Water
Operation pressure	-1 to 10 bar
Ambient temperature	-5° to 55°C (option for FKM seals) up to 150° C
Lubrication	Not required (use turbine oil class ISO VG32 if lubricated)
Port size	1/4" & 1/2" BSP or NPT
Flow rate (Air)	1/4" port size = 1,100 L/min (at 5.5 bar) 1/2" port size = 3,500 L/min (at 5.5 bar)



Lever



Lever Protec



Foot Return Spring



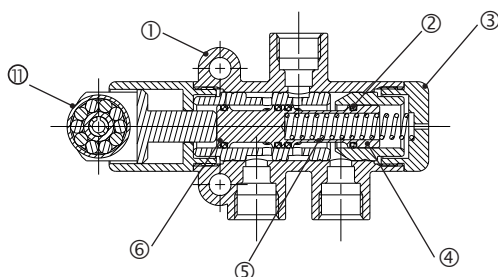
Roller-Spring



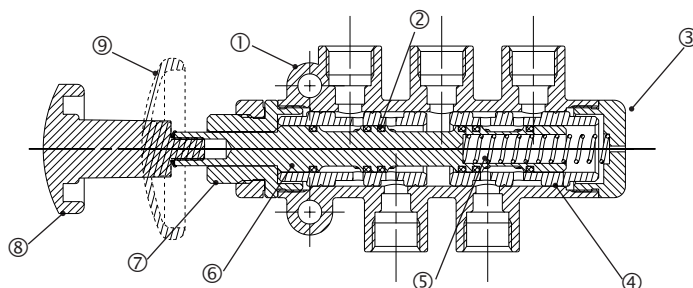
Push-Spring

Construction

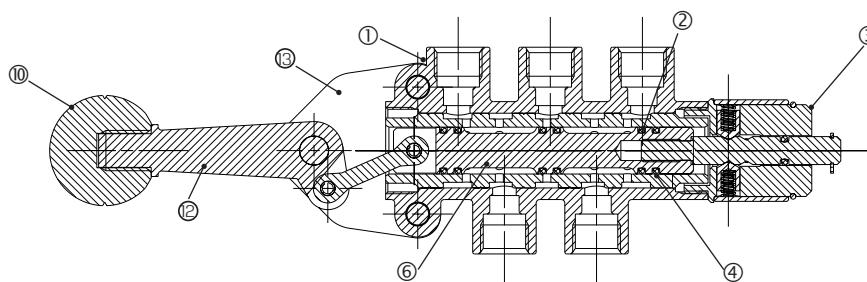
3 port Roller-Spring valve



5 port Push-Spring valve



5 port, 3 Position Stable Lever valve



Component Parts

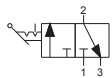
No.	Description	Material
1	Body	Brass *
2	"O" ring	NBR or FKM
3	End cover	Brass
4	Sleeve	Brass
5	Spring	-
6	Spool	Brass
7	Panel Nut	Brass
8	Small button 35.8 mm	Color : Green Red Black Plastic
9	Large button 50.2 mm	
10	Operator knob	Plastic (Black)
11	Roller	-
12	Control handle	Mazak
13	Side plate	Zinc coated steel

* Painted with grey polyester

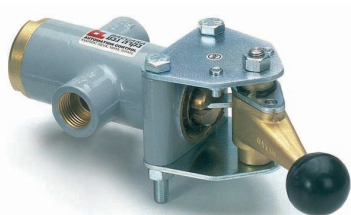
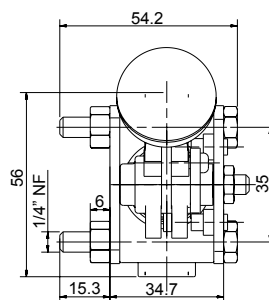
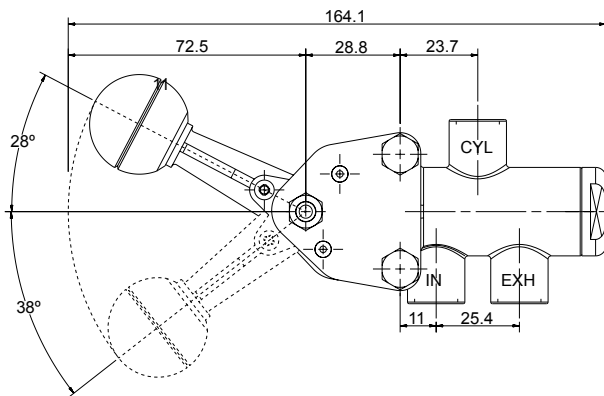
PNEUMATIC VALVES | Brass Heavy Duty PE Series

PE | Mechanically Operated

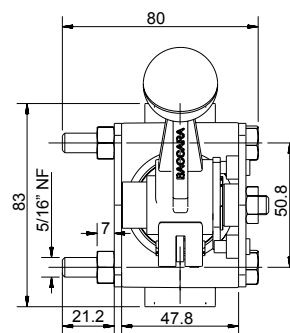
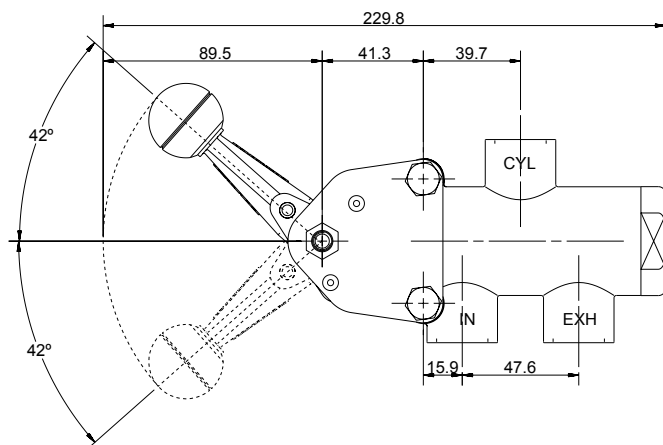
PEM3-L | Stable Lever | 1/4", 1/2" | 3 port



Port size : 1/4"



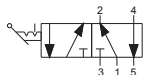
Port size : 1/2"



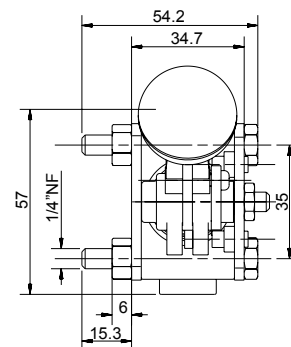
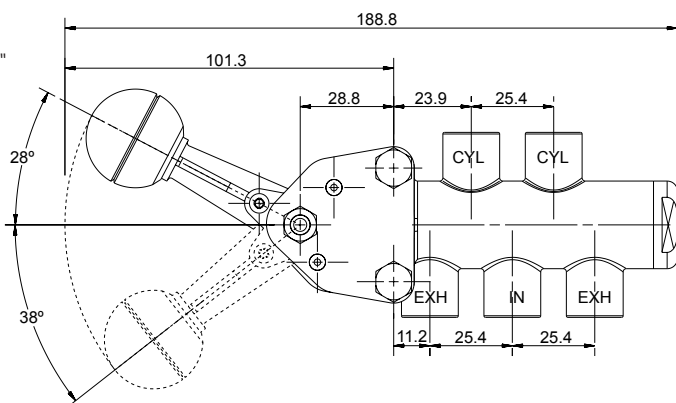
How to Order

PEM3	PORT SIZE	L	SEAL MATERIAL
	1/4" BSP	0	NBR N
	1/4" NPT	1	FKM V
	1/2" BSP	2	
	1/2" NPT	3	

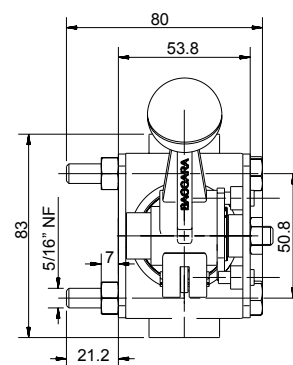
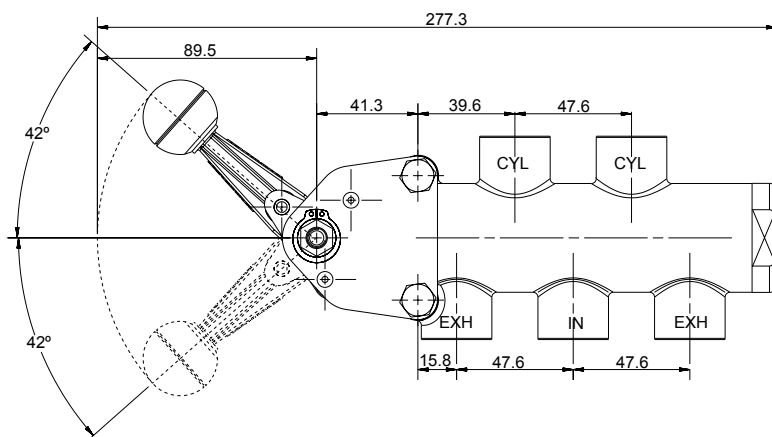
PEM5-L | Stable Lever | 1/4", 1/2" | 5 port



Port size : 1/4"



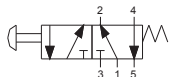
Port size : 1/2"



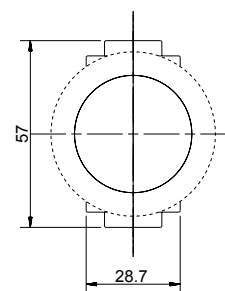
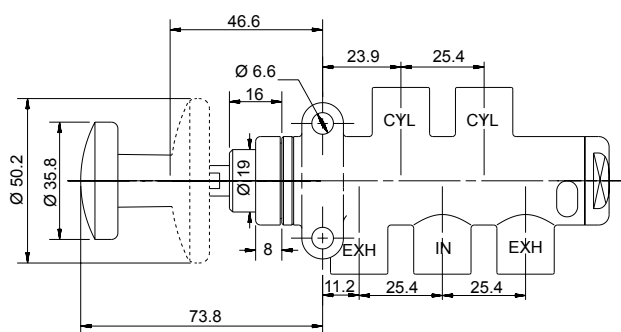
How to Order

PEM5	-	PORT SIZE	-	L	-	SEAL MATERIAL
		1/4" BSP		0		NBR N
		1/4" NPT		1		FKM V
		1/2" BSP		2		
		1/2" NPT		3		

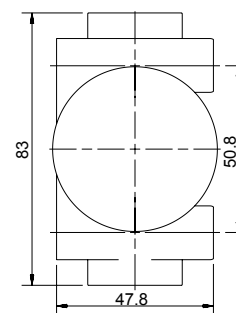
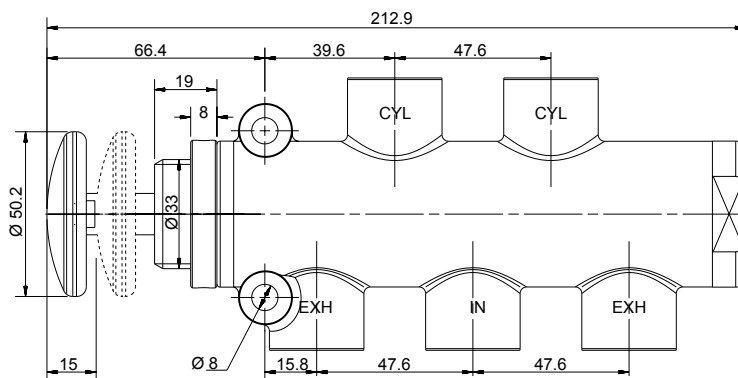
PEM5-PS | Push-Spring | 1/4", 1/2" | 5 port



Port size : 1/4"



Port size : 1/2"



How to Order

PEM5	PORT SIZE	PS	SEAL MATERIAL	BUTTON SIZE	COLOR OF BUTTON	
	1/4" BSP	0	NBR	N	35.8 1 ⁽¹⁾	Red R
	1/4" NPT	1	FKM	V	50.2 2	Green G ⁽²⁾
	1/2" BSP	2				Black B ⁽²⁾
	1/2" NPT	3				

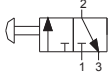
(1) This size is an option for 1/2" valves

(2) Optional

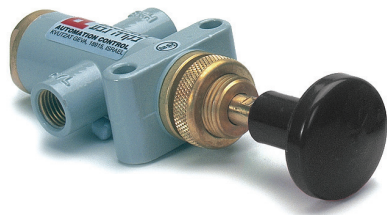
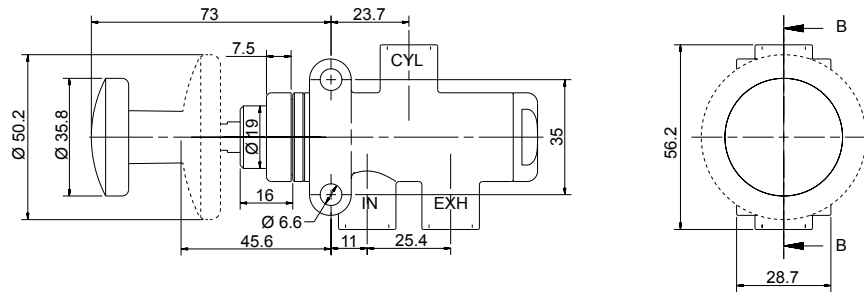
PNEUMATIC VALVES | Brass Heavy Duty PE Series

PE | Mechanically Operated

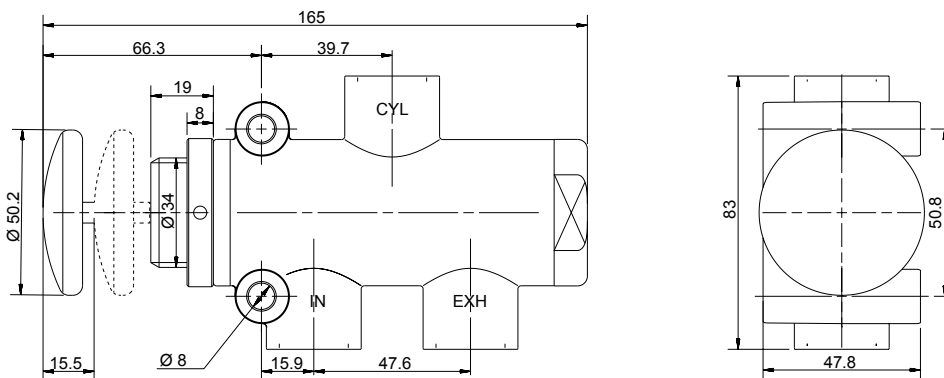
PEM3-PP | Push-Pull | 1/4", 1/2" | 3 port



Port size : 1/4"



Port size : 1/2"



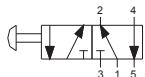
How to Order

PEM3	PORT SIZE	PP	SEAL MATERIAL	BUTTON SIZE	COLOR OF BUTTON
	1/4" BSP 0		NBR N	35.8 1 ⁽¹⁾	Black B
	1/4" NPT 1		FKM V	50.2 2	Green G ⁽²⁾
	1/2" BSP 2				Red R ⁽²⁾
	1/2" NPT 3				

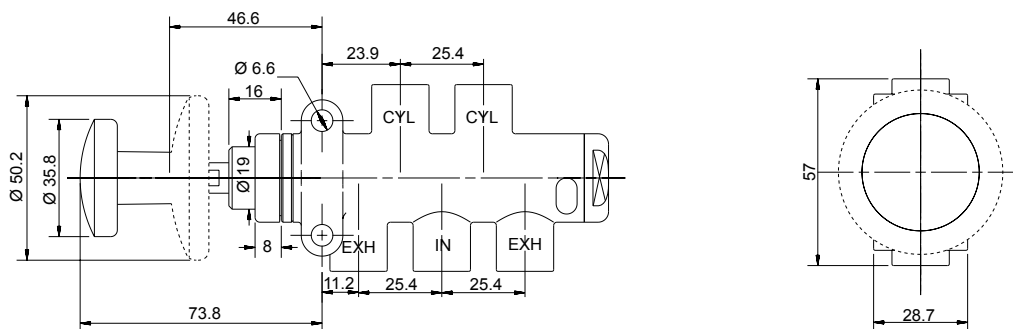
(1) This size is an option for 1/2" valves

(2) Optional

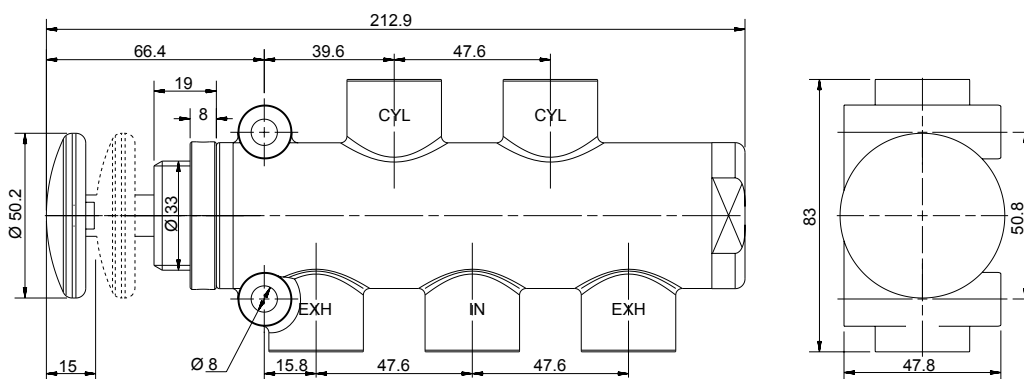
PEM5-PP | Push-Pull | 1/4", 1/2" | 5 port



Port size : 1/4"



Port size : 1/2"



How to Order

PEM5	PORT SIZE	PP	SEAL MATERIAL	BUTTON SIZE	COLOR OF BUTTON	
	1/4" BSP	0	NBR	N	35.8 1 ⁽¹⁾	Black B
	1/4" NPT	1	FKM	V	50.2 2	Green G ⁽²⁾
	1/2" BSP	2				Red R ⁽²⁾
	1/2" NPT	3				

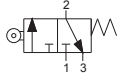
(1) This size is an option for 1/2" valves

(2) Optional

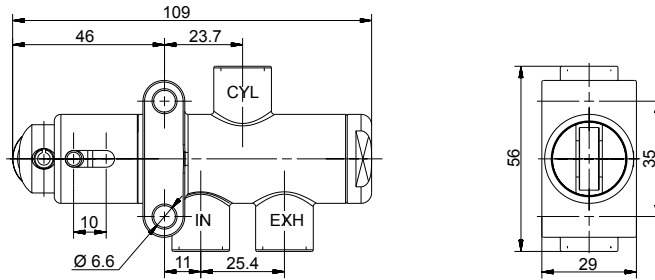
PNEUMATIC VALVES | Brass Heavy Duty PE Series

PE | Mechanically Operated

PEM3-RS | Roller-Spring | 1/4", 1/2" | 3 port

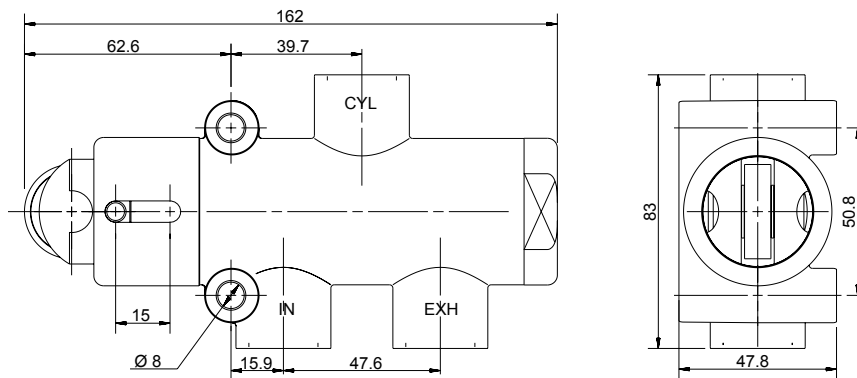


Port size : 1/4"



*Roller fixed at 90°

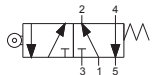
Port size : 1/2"



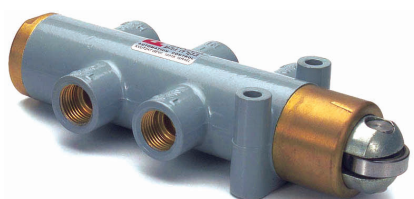
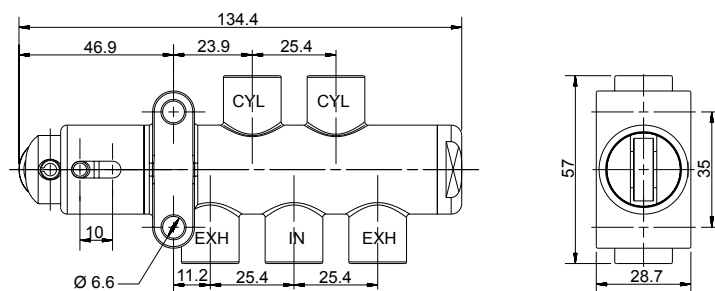
How to Order

PEM3	PORT SIZE	RS	SEAL MATERIAL	ROLLER POSITION
	1/4" BSP	0	NBR N	180° 1
	1/4" NPT	1	FKM V	90° 2
	1/2" BSP	2		
	1/2" NPT	3		

PEM5-RS | Roller-Spring | 1/4", 1/2" | 5 port

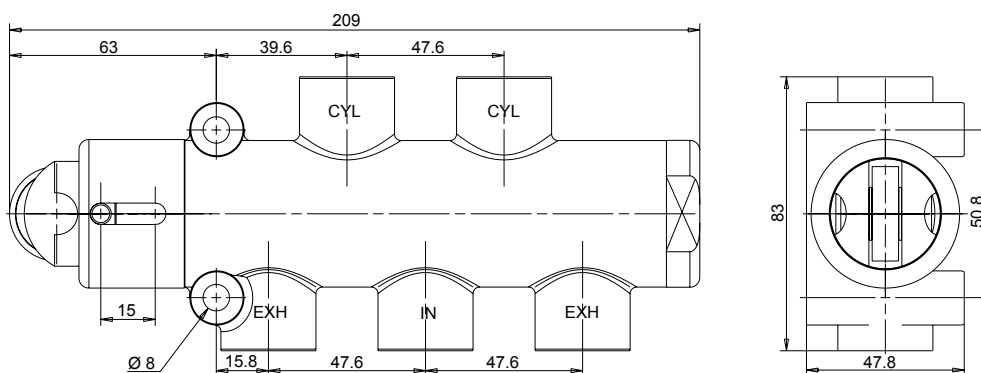


Port size : 1/4"



*Roller fixed at 180°

Port size : 1/2"



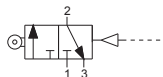
How to Order

PEM5	PORT SIZE	RS	SEAL MATERIAL	ROLLER POSITION
	1/4" BSP	0	NBR N	180° 1
	1/4" NPT	1	FKM V	90° 2
	1/2" BSP	2		
	1/2" NPT	3		

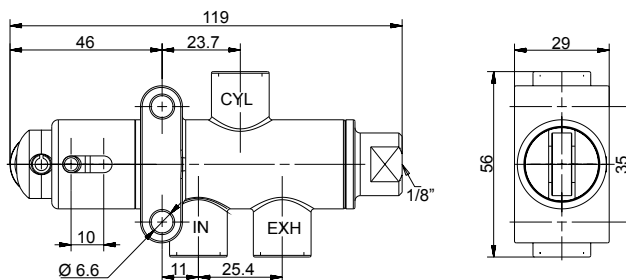
PNEUMATIC VALVES | Brass Heavy Duty PE Series

PE | Mechanically Operated

PEM3-RA | Roller-Air | 1/4", 1/2" | 3 port

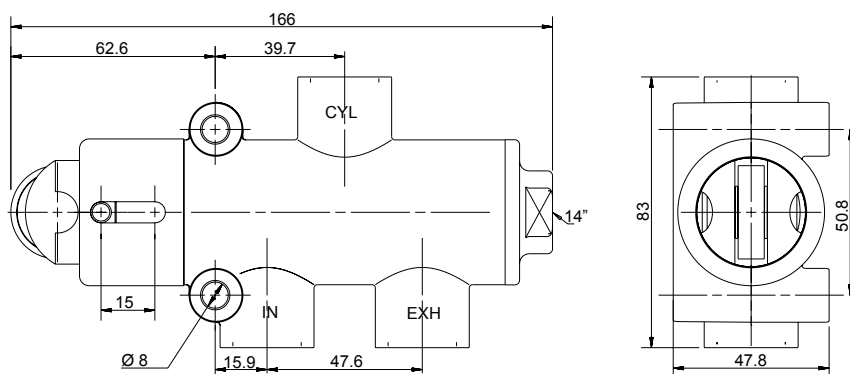


Port size : 1/4"



*Roller fixed at 90°

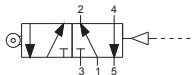
Port size : 1/2"



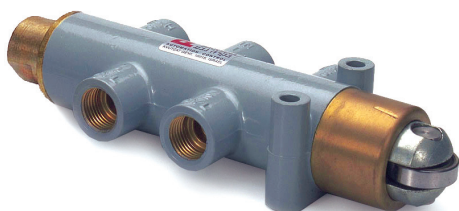
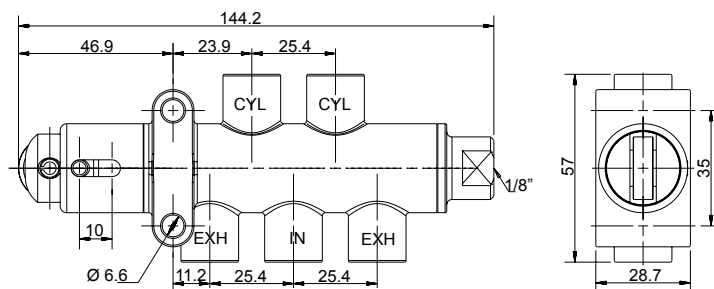
How to Order

PEM3	PORT SIZE	RA	SEAL MATERIAL	ROLLER POSITION
	1/4" BSP	0	NBR N	180° 1
	1/4" NPT	1	FKM V	90° 2
	1/2" BSP	2		
	1/2" NPT	3		

PEM5-RA | Roller-Air | 1/4", 1/2" | 5 port

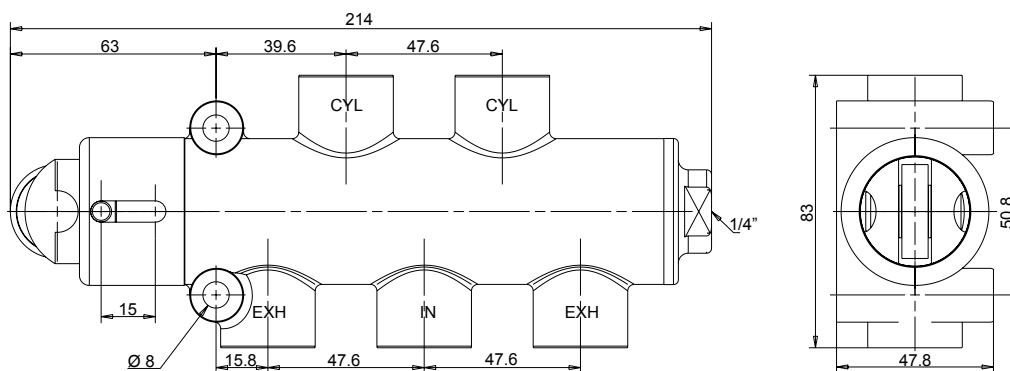


Port size : 1/4"



*Roller fixed at 180°

Port size : 1/2"



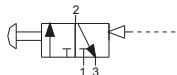
How to Order

PEM5	PORT SIZE	RA	SEAL MATERIAL	ROLLER POSITION
	1/4" BSP 0		NBR N	180° 1
	1/4" NPT 1		FKM V	90° 2
	1/2" BSP 2			
	1/2" NPT 3			

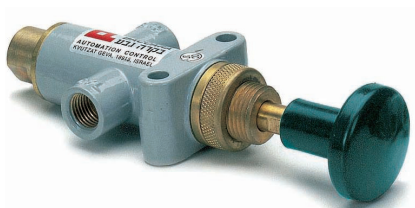
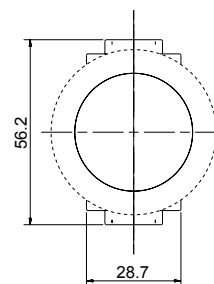
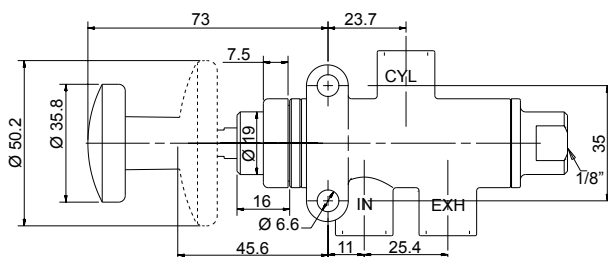
PNEUMATIC VALVES | Brass Heavy Duty PE Series

PE | Mechanically Operated

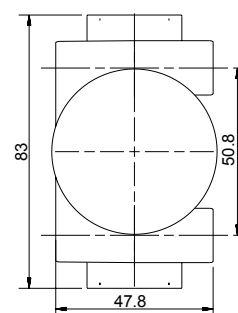
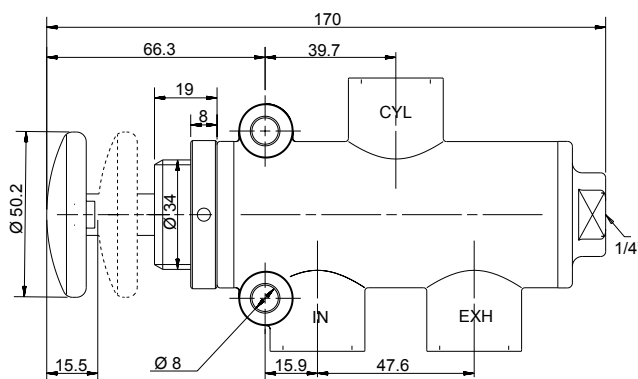
PEM3-PPA | Push-Pull Air | 1/4", 1/2" | 3 port



Port size : 1/4"



Port size : 1/2"

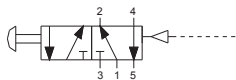


How to Order

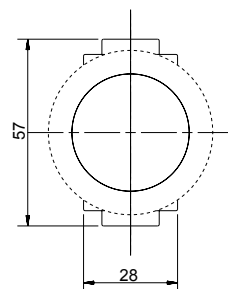
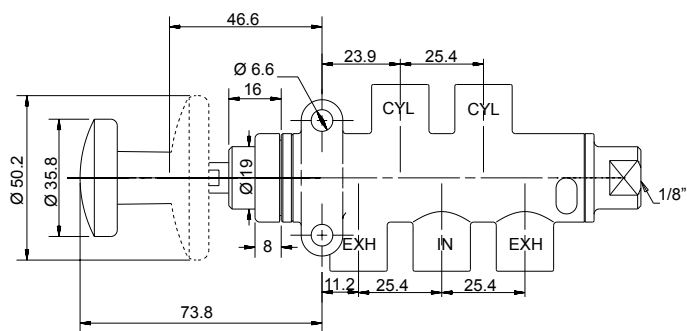
PEM3	PORT SIZE	PPA	SEAL MATERIAL	BUTTON SIZE	COLOR OF BUTTON
	1/4" BSP 0		NBR N	35.8 1 ⁽¹⁾	Green G
	1/4" NPT 1		FKM V	50.2 2	Black B ⁽²⁾
	1/2" BSP 2				Red R ⁽²⁾
	1/2" NPT 3				

(1) This size is an option for 1/2" valves
(2) Optional

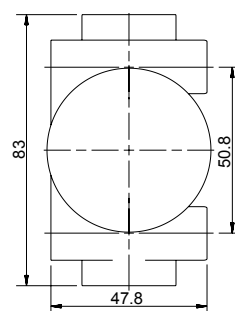
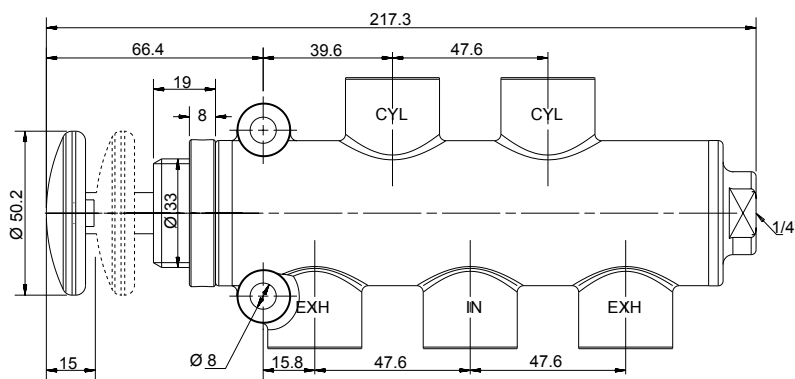
PEM5-PPA | Push-Pull Air | 1/4", 1/2" | 5 port



Port size : 1/4"



Port size : 1/2"



How to Order

PEM5	PORT SIZE	PPA	SEAL MATERIAL	BUTTON SIZE	COLOR OF BUTTON
	1/4" BSP 0		NBR N	35.8 1 ⁽¹⁾	Green G
	1/4" NPT 1		FKM V	50.2 2	Black B ⁽²⁾
	1/2" BSP 2				Red R ⁽²⁾
	1/2" NPT 3				

(1) This size is an option for 1/2" valves

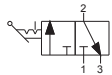
(2) Optional

PNEUMATIC VALVES | Brass Heavy Duty

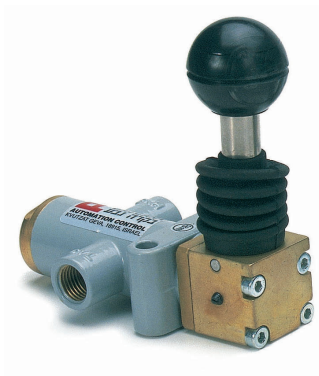
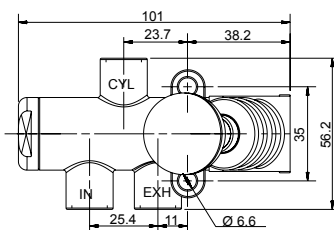
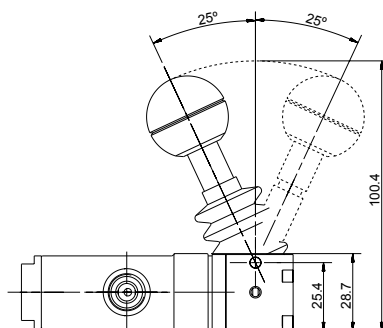
PE Series

PE | Mechanically Operated

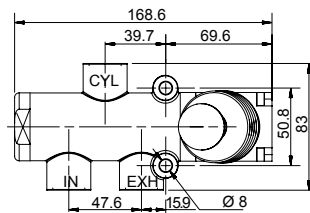
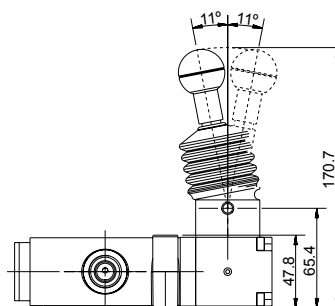
PEM3-L90 | Stable Lever Protec | 1/4", 1/2" | 3 port



Port size : 1/4"



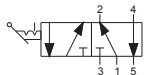
Port size : 1/2"



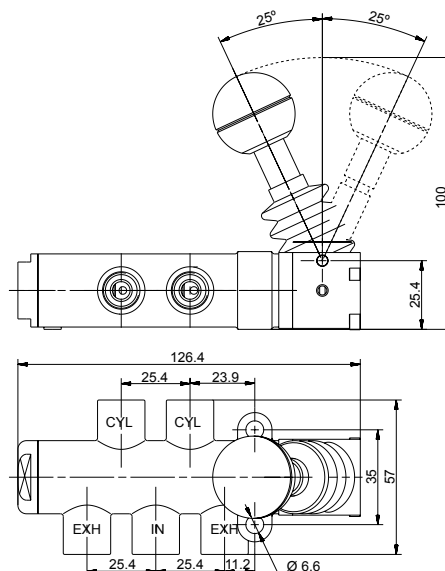
How to Order

PEM3	-	PORT SIZE	-	L90	-	SEAL MATERIAL
		1/4" BSP	0			NBR N
		1/4" NPT	1			FKM V
		1/2" BSP	2			
		1/2" NPT	3			

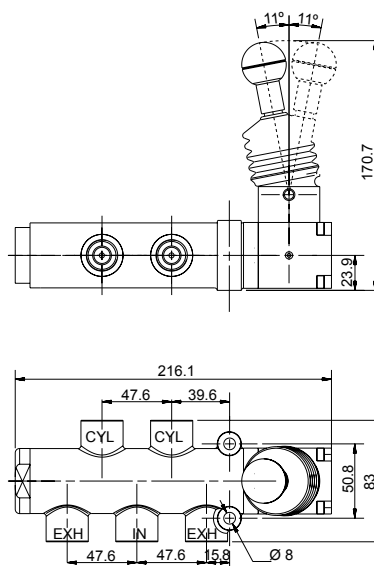
PEM5-L90 | Stable Lever Protec | 1/4", 1/2" | 5 port



Port size : 1/4"



Port size : 1/2"



How to Order

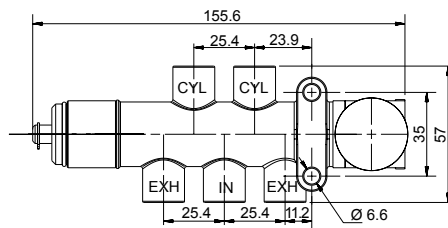
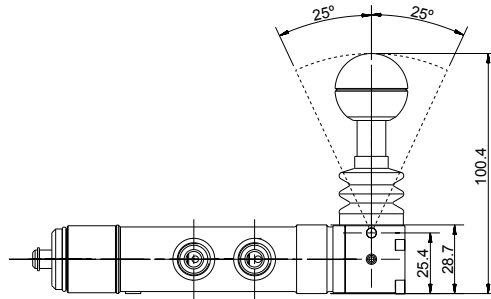
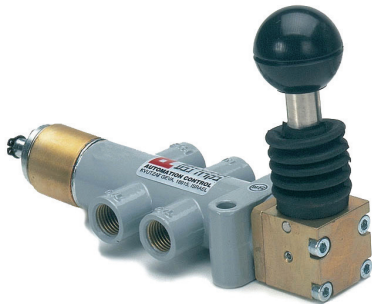
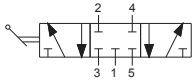
PEM5	-	PORT SIZE	-	L90	-	SEAL MATERIAL
		1/4" BSP	0			NBR N
		1/4" NPT	1			FKM V
		1/2" BSP	2			
		1/2" NPT	3			

PNEUMATIC VALVES | Brass Heavy Duty

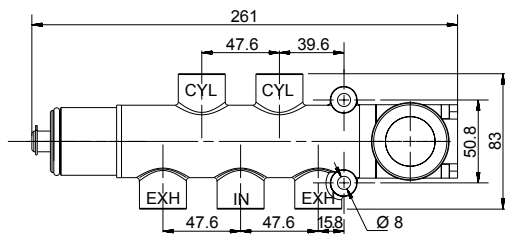
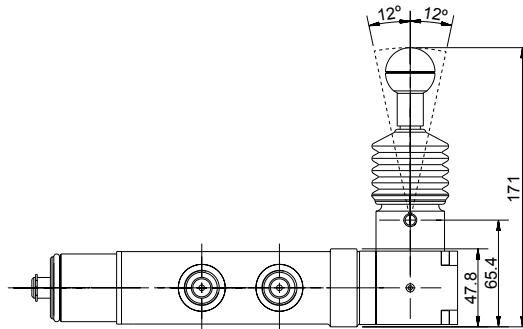
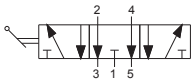
PE Series

PE | Mechanically Operated

PEM5-D90-M | 3 Position Closed Center-Lever Protec Stable | 1/4" | 5 port



PEM5-D90-W | 3 Position Exhaust Center-Lever Protec Stable | 1/2" | 5 port



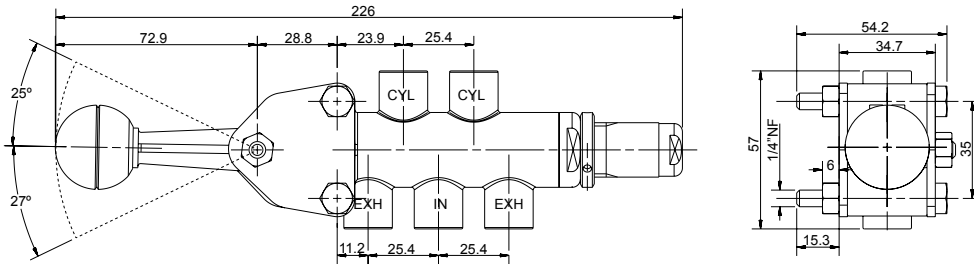
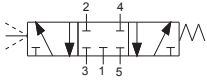
How to Order

PEM5	PORT SIZE	FUNCTION	D90	SEAL MATERIAL		
	1/4" BSP	0	Closed	M	NBR	N
	1/4" NPT	1	Center	M	FKM	V
	1/2" BSP	2	Exhaust	W		
	1/2" NPT	3	Center	W		

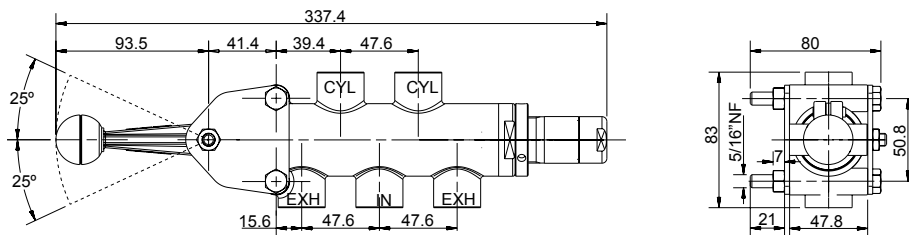
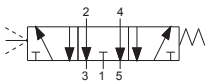
PNEUMATIC VALVES | Brass Heavy Duty PE Series

PE | Mechanically Operated

PEM5-S-P | 3 Position Closed Center-Lever
Return to Center | 1/4" | 5 port



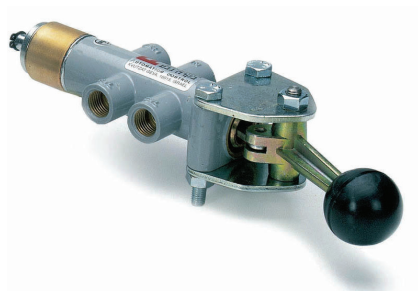
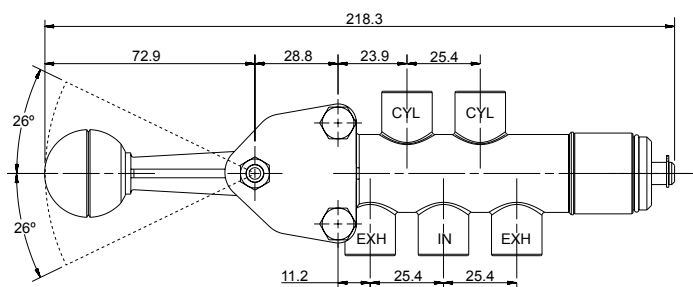
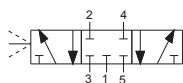
PEM5-S-U | 3 Position Exhaust Center-Lever
Return to Center | 1/2" | 5 port



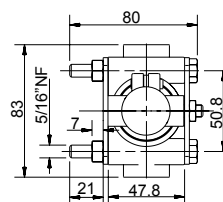
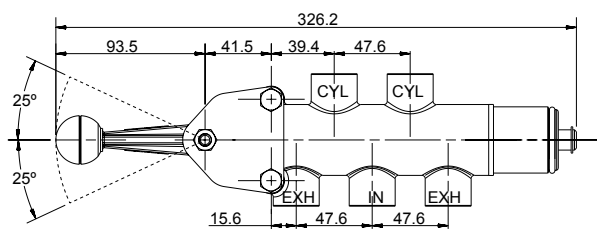
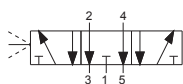
How to Order

PEM5	PORT SIZE	FUNCTION	S	SEAL MATERIAL
	1/4" BSP 0	Closed Center	P	NBR N
	1/4" NPT 1	Center		FKM V
	1/2" BSP 2	Exhaust	U	
	1/2" NPT 3	Center		

PEM5-D-M | 3 Position Closed Center-Lever Stable | 1/4" | 5 port



PEM5-D-W | 3 Position Exhaust Center-Lever Stable | 1/2" | 5 port



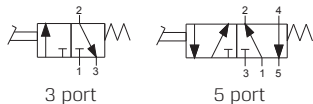
How to Order

PEM5	PORT SIZE	FUNCTION	D	SEAL MATERIAL	
	1/4" BSP	0	Closed	NBR	N
	1/4" NPT	1	Center	FKM	V
	1/2" BSP	2	Exhaust		
	1/2" NPT	3	Center		

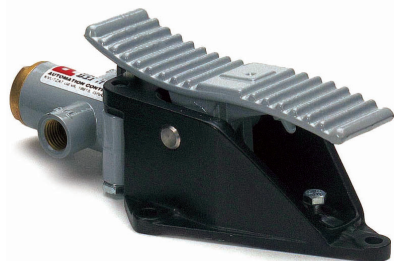
PNEUMATIC VALVES | Brass Heavy Duty PE Series

PE | Mechanically Operated

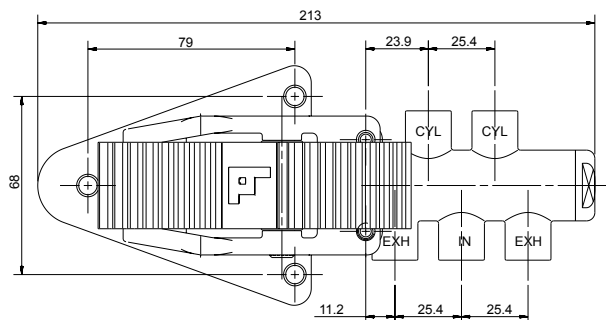
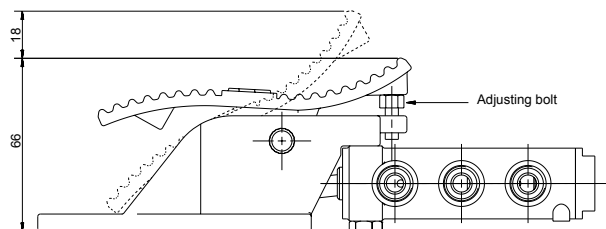
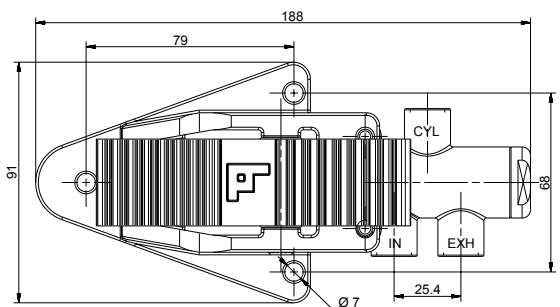
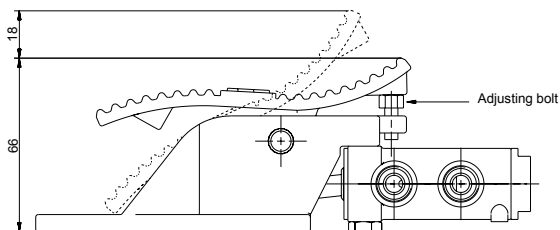
PEM5-PDS | Foot Return Spring | 1/4" | 3 & 5 port



Function : 3 port



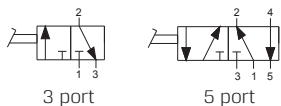
Function : 5 port



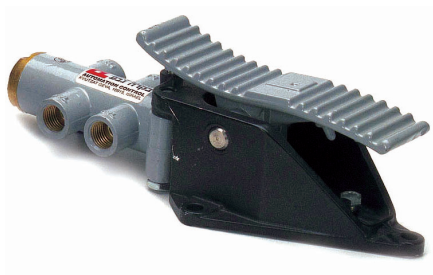
How to Order

PEM	PORT SIZE	FUNCTION	PDS	SEAL MATERIAL
	1/4" BSP 0	3 port 3		NBR N
	1/4" NPT 1	5 port 5		FKM V

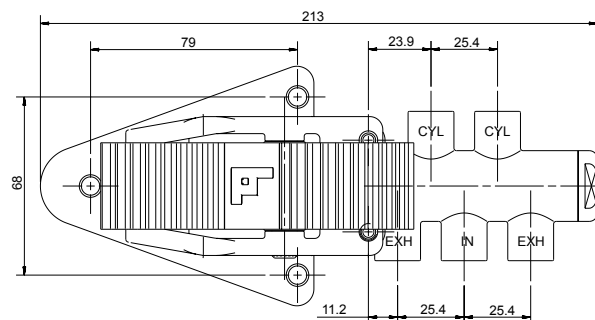
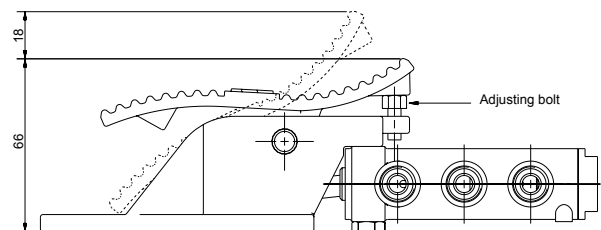
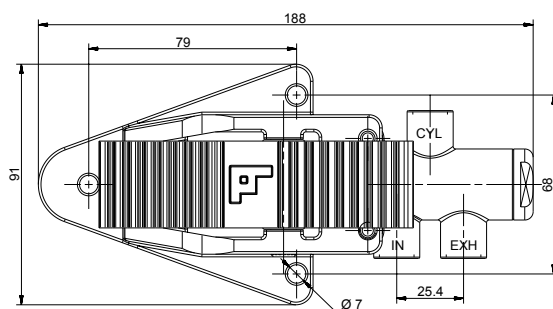
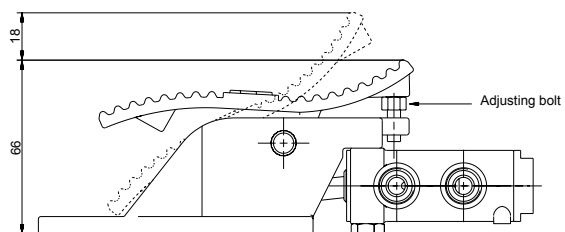
PEM5-PD | Foot Return Foot | 1/4" | 3 & 5 port



Function : 3 port



Function : 5 port



How to Order

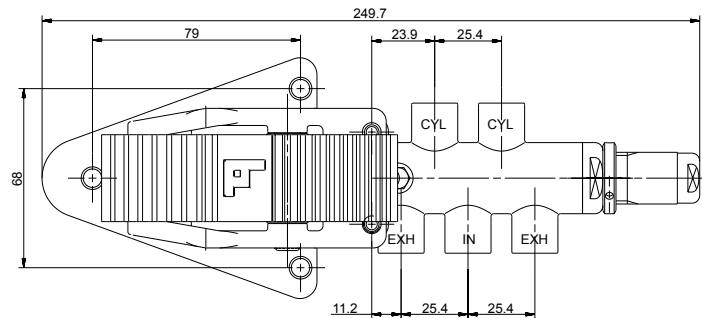
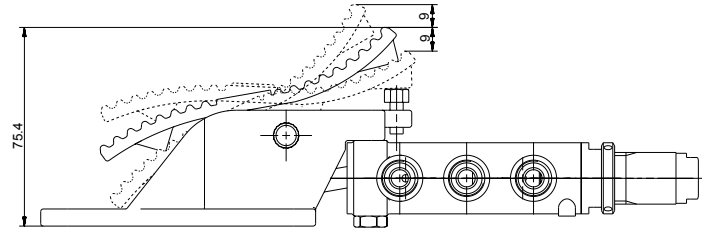
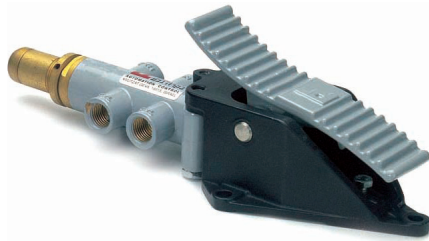
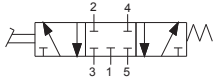
PEM	PORT SIZE	FUNCTION	PD	SEAL MATERIAL
	1/4" BSP 0	3 port 3		NBR N
	1/4" NPT 1	5 port 5		FKM V

PNEUMATIC VALVES | Brass Heavy Duty

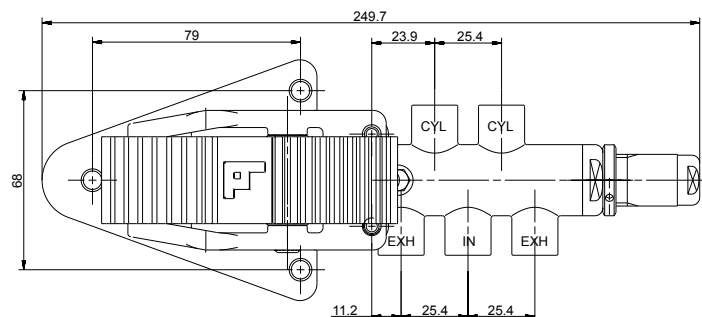
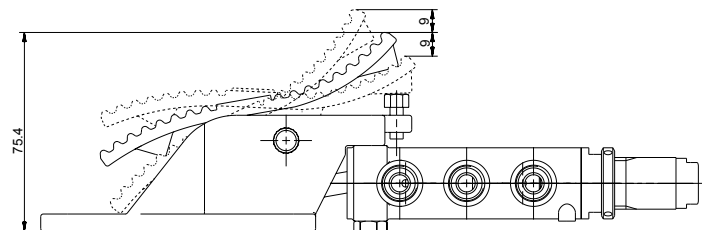
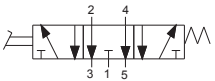
PE Series

PE | Mechanically Operated

PEM5-PE-P | 3 Position Closed Center-Foot
Return to Center | 1/4" | 5 port



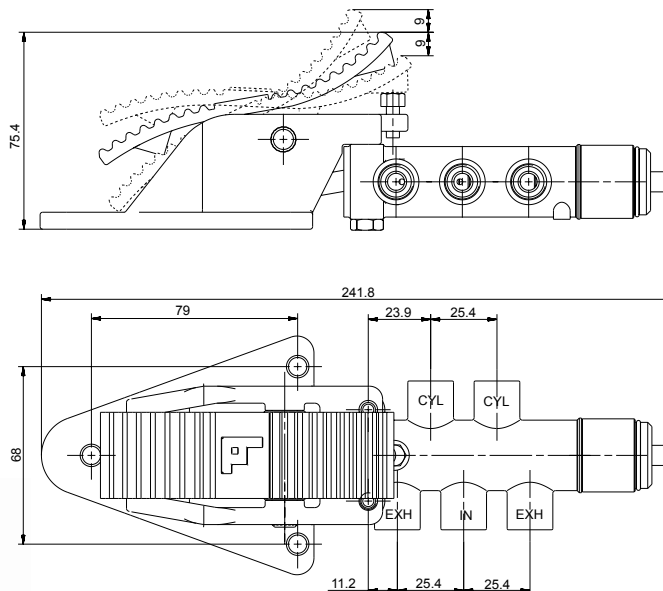
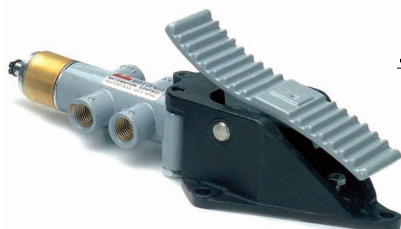
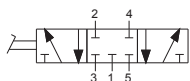
PEM5-PE-U | 3 Position Exhaust Center-Foot
Return to Center | 1/4" | 5 port



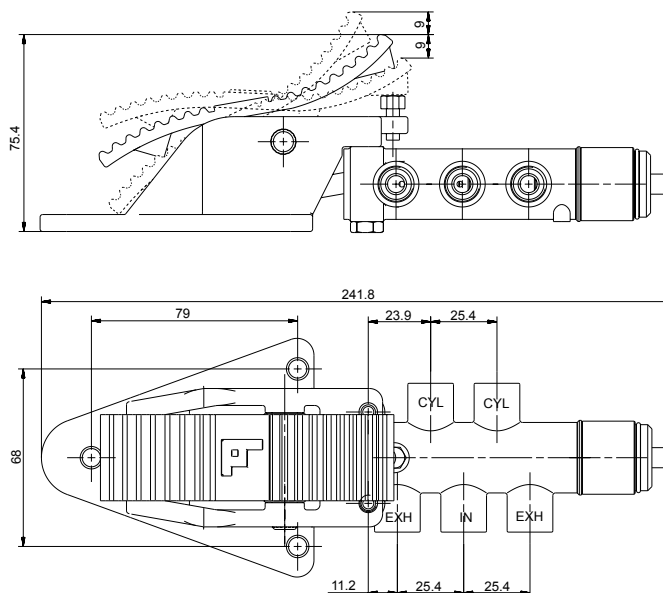
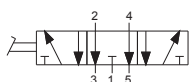
How to Order

PEM5	PORT SIZE	FUNCTION	PE	SEAL MATERIAL
	1/4" BSP 0	Closed Center P		NBR N
	1/4" NPT 1	Exhaust Center U		FKM V

PEM5-PE-M | 3 Position Closed Center-Foot Stable | 1/4" | 5 port



PEM5-PE-W | 3 Position Exhaust Center-Foot Stable | 1/4" | 5 port



How to Order

PEM5	PORT SIZE	FUNCTION	PE	SEAL MATERIAL
	1/4" BSP 0	Closed Center M		NBR N
	1/4" NPT 1	Exhaust Center W		FKM V

PNEUMATIC VALVES | Brass Heavy Duty PE Series

PE | Air Operated

- Heavy duty brass valves, air operated
- 3/2, 5/2, 5/3
- Port size : 1/4" & 1/2" BSP & NPT

Application

- Suitable for use in aggressive environments such as mining, cement manufacturing and flour milling industries.

Technical Data

Fluid	Air / Inert gas / Water
Operation pressure	-1 to 10 bar
Ambient temperature	-5° to 55°C (option for FKM seals) up to 150° C
Lubrication	Not required (use turbine oil class ISO VG32 if lubricated)
Port size	1/4" & 1/2" BSP or NPT
Flow rate (Air)	1/4" port size = 1,100 L/min (at 5.5 bar) 1/2" port size = 3,500 L/min (at 5.5 bar)
Minimum pilot pressure	Air-Air : 2.5 bar Air-Spring : 3 bar Air-Dif : 2.5 bar Cyl-Cyl : 0.5 bar Cyl-Spring : 0.7 bar



Dif Pres for Air Assy



Air-Spring



Cyl-Dif



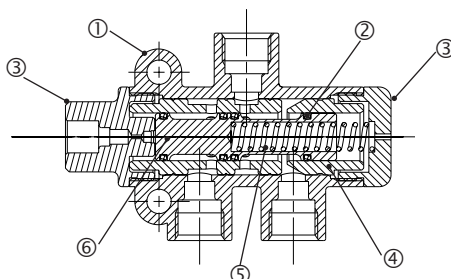
Cyl-Spring



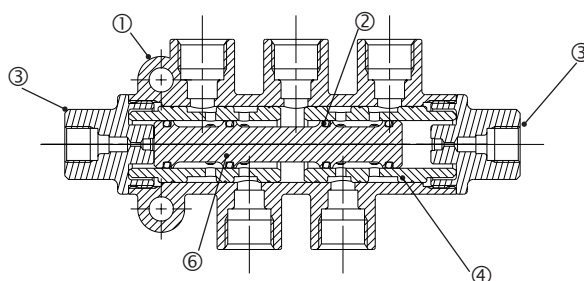
AIR-AIR

Construction

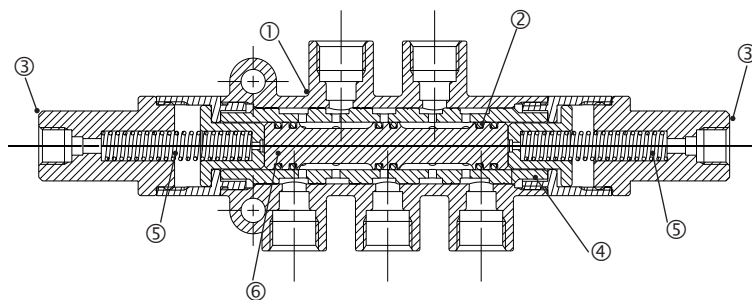
3 port Air-Spring valve



5 port Air-Air valve



5 port, 3 Position Air-Air valve



Component Parts

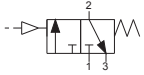
No.	Description	Material
1	Body	Brass *
2	"O" ring	NBR or FKM
3	End cover	Brass
4	Sleeve	Brass
5	Spring	-
6	Spool	Brass

* Painted with grey polyester

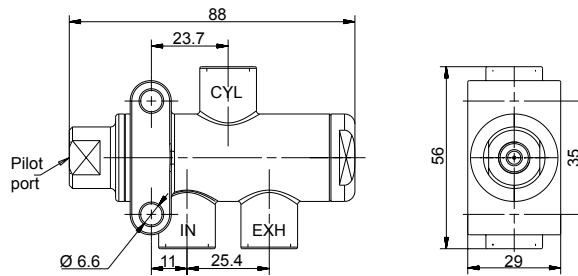
PNEUMATIC VALVES | Brass Heavy Duty PE Series

PE | Air Operated

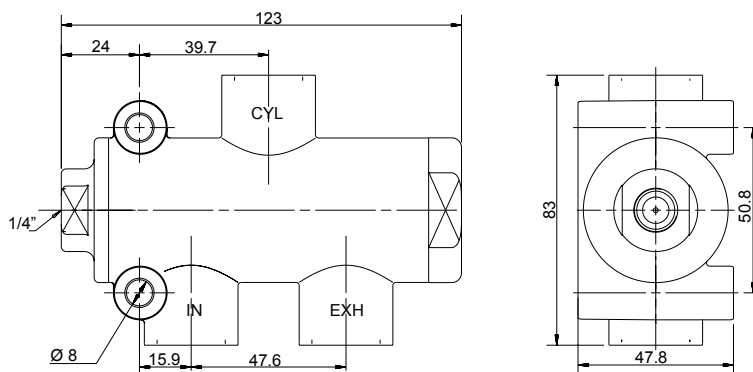
PEA3-S | Air-Spring | 1/4", 1/2" | 3 port



Port size : 1/4"



Port size : 1/2"

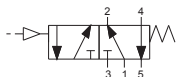


How to Order

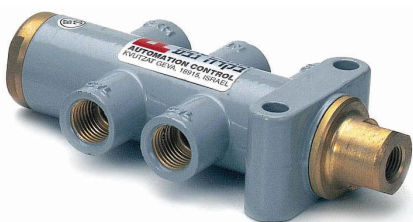
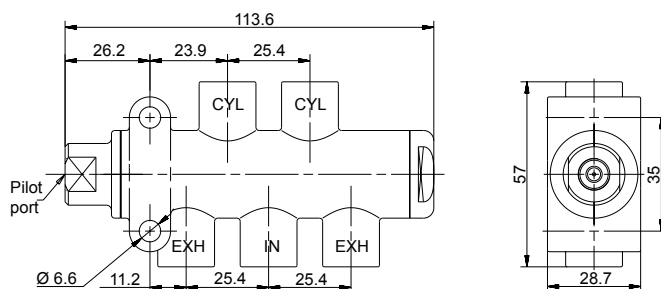
PEA3	PORT SIZE	S	SEAL MATERIAL	PILOT PORT SIZE (1)
	1/4" BSP	0	NBR N	1/8" BSP 0
	1/4" NPT	1	FKM V	1/4" BSP 1
	1/2" BSP	2		1/4" NPT 2
	1/2" NPT	3		

(1) Applicable for 1/4" valve only

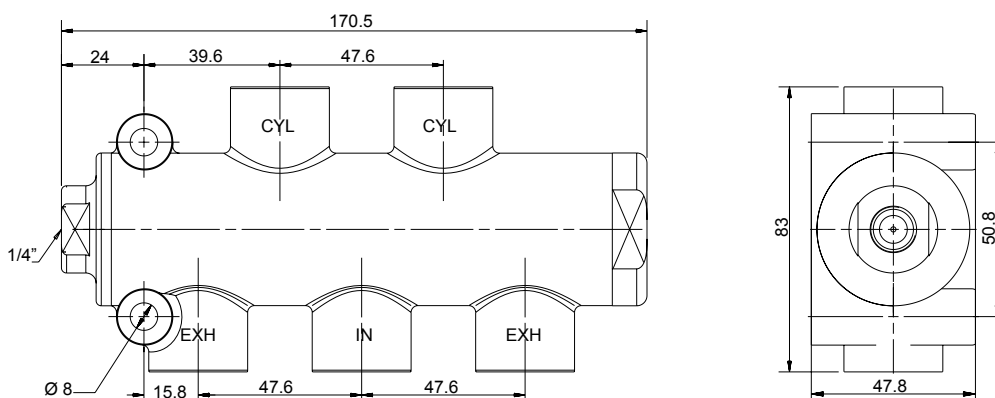
PEA5-S | Air-Spring | 1/4", 1/2" | 5 port



Port size : 1/4"



Port size : 1/2"



How to Order

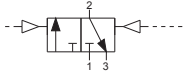
PEA5	PORT SIZE	S	SEAL MATERIAL	PILOT PORT SIZE ⁽¹⁾
	1/4" BSP	0	NBR N	1/8" BSP 0
	1/4" NPT	1	FKM V	1/4" BSP 1
	1/2" BSP	2		1/4" NPT 2
	1/2" NPT	3		

(1) Applicable for 1/4" valve only

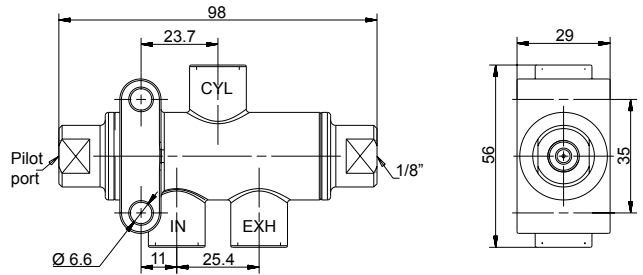
PNEUMATIC VALVES | Brass Heavy Duty PE Series

PE | Air Operated

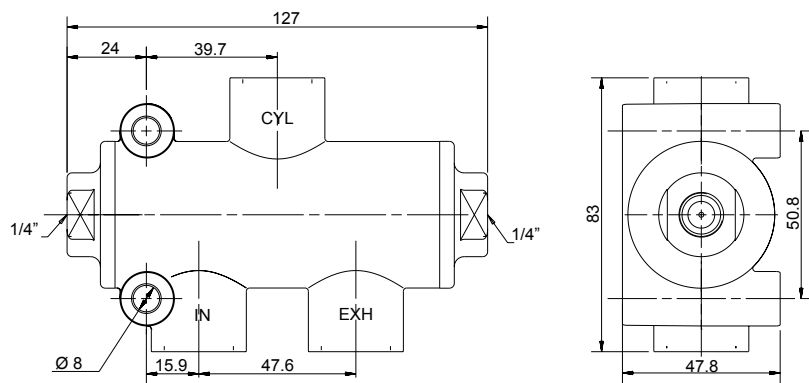
PEA3-D | Air-Air | 1/4", 1/2" | 3 port



Port size : 1/4"



Port size : 1/2"

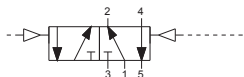


How to Order

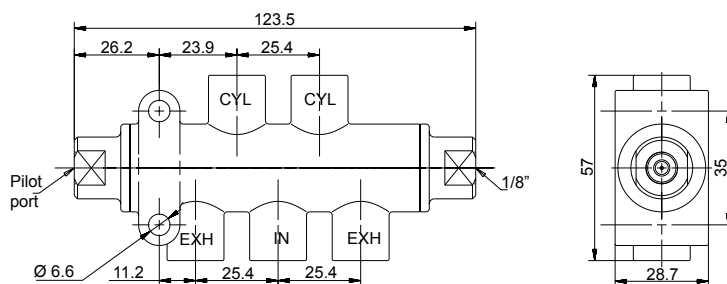
PEA3	PORT SIZE	D	SEAL MATERIAL	PILOT PORT SIZE ⁽¹⁾
	1/4" BSP	0	NBR N	1/8" BSP 0
	1/4" NPT	1	FKM V	1/4" BSP 1
	1/2" BSP	2		1/4" NPT 2
	1/2" NPT	3		

(1) Applicable for 1/4" valve only

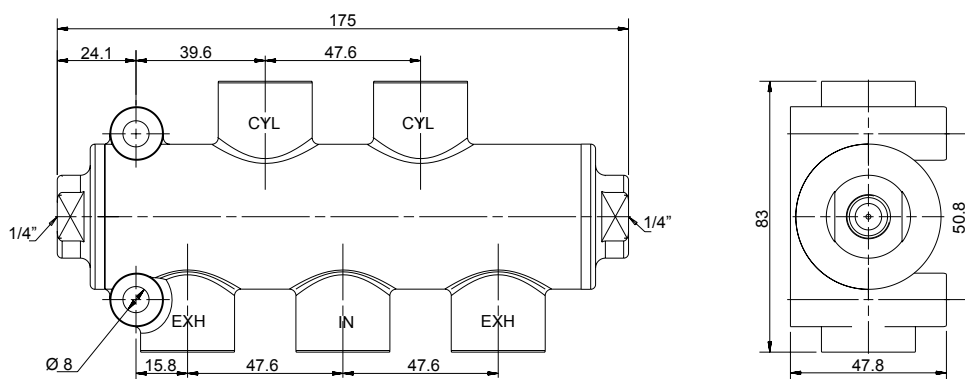
PEA5-D | Air-Air | 1/4", 1/2" | 5 port



Port size : 1/4"



Port size : 1/2"



How to Order

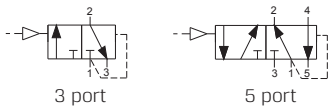
PEA5	PORT SIZE	D	SEAL MATERIAL	PILOT PORT SIZE ⁽¹⁾
	1/4" BSP	0	NBR N	1/8" BSP 0
	1/4" NPT	1	FKM V	1/4" BSP 1
	1/2" BSP	2		1/4" NPT 2
	1/2" NPT	3		

(1) Applicable for 1/4" valve only

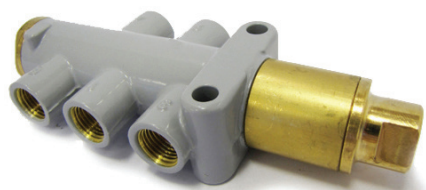
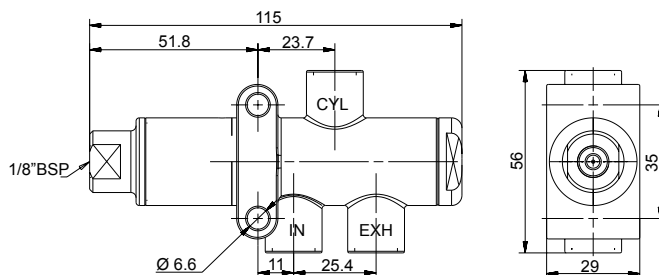
PNEUMATIC VALVES | Brass Heavy Duty PE Series

PE | Air Operated

PEA-DF | Air-Differential | 1/4" | 3 & 5 port

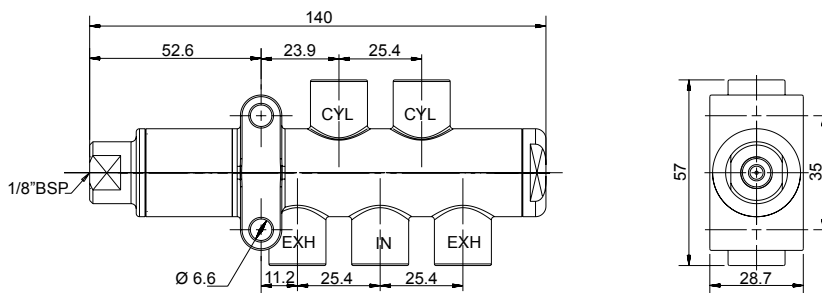


Function : 3 port



*Image is 5/2 valve

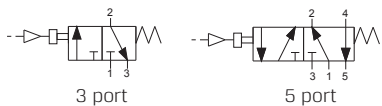
Function : 5 port



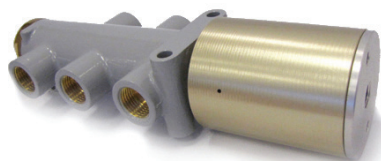
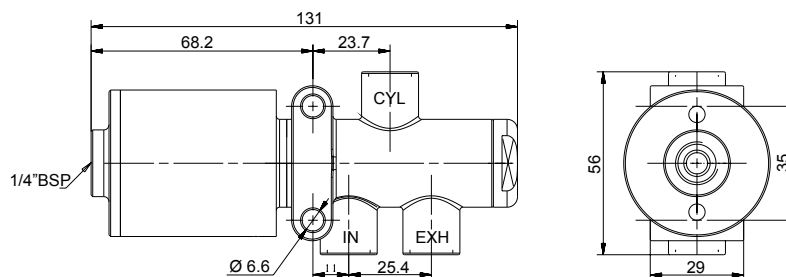
How to Order

PEA	PORT SIZE	FUNCTION	DF	SEAL MATERIAL		
	1/4" BSP	0	3 port	3	NBR	N
			5 port	5	FKM	V

PEA-S | Cyl-Spring | 1/4" | 3 & 5 port

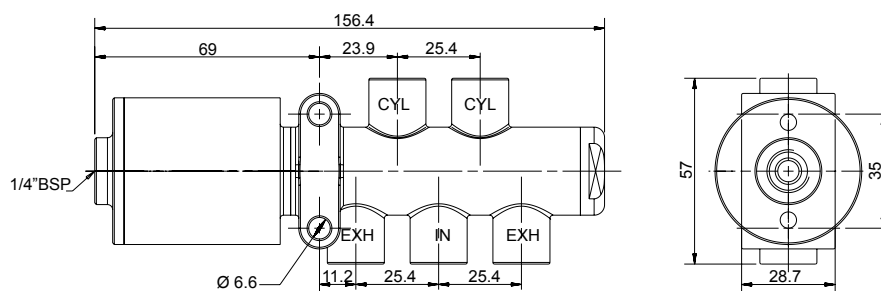


Function : 3 port



*Image is 5/2 valve

Function : 5 port



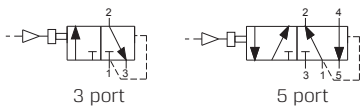
How to Order

PEA	-	PORT SIZE	-	FUNCTION	-	S	-	SEAL MATERIAL
		1/4" BSP		0	3 port	3		NBR N
					5 port	5		FKM V

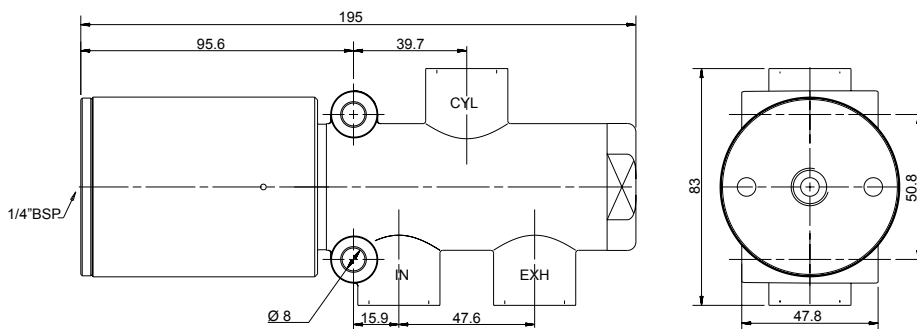
PNEUMATIC VALVES | Brass Heavy Duty PE Series

PE | Air Operated

PEA-DF | Cyl-Dif | 1/2" | 3 & 5 port

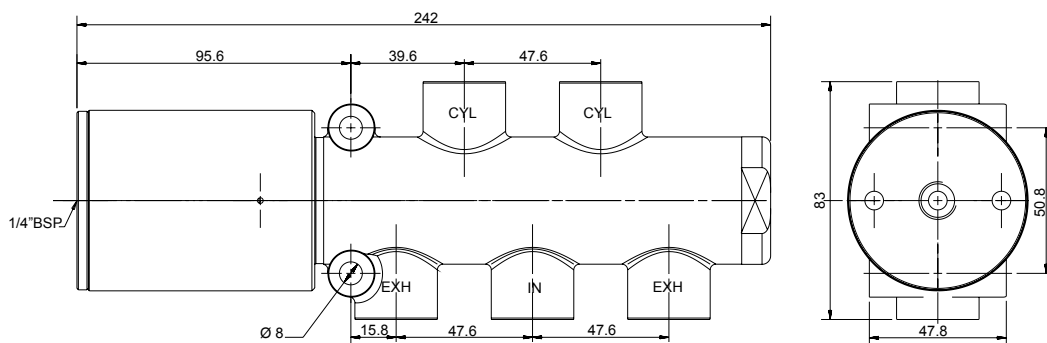


Function : 3 port



*Image is 3/2 valve

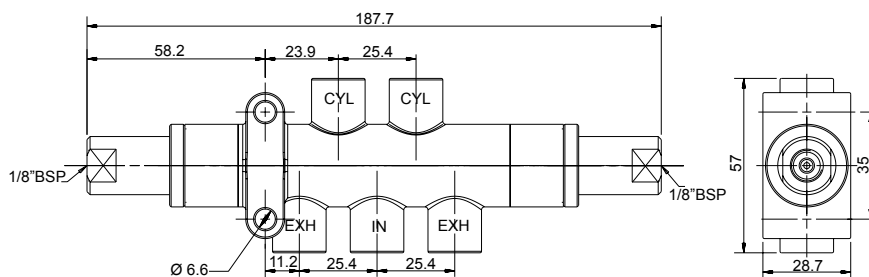
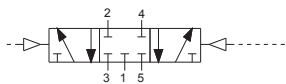
Function : 5 port



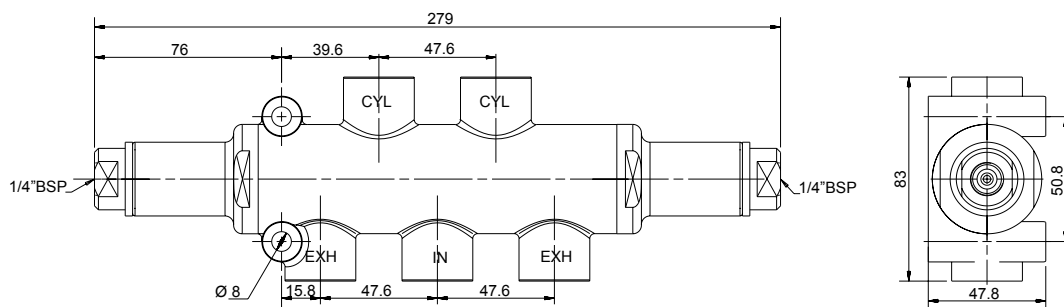
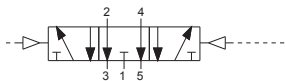
How to Order

PEA	PORT SIZE	FUNCTION	DF	SEAL MATERIAL		
	1/2" BSP	2	3 port	3	NBR	N
			5 port	5	FKM	V

PEA5-P | 3 Position Closed Center | Air-Air | 1/4" | 5 port



PEA5-U | 3 Position Exhaust Center | Air-Air | 1/2" | 5 port



How to Order

PEA5	PORT SIZE	FUNCTION	SEAL MATERIAL
	1/4" BSP 0	Closed Center P	NBR N
	1/2" BSP 2	Exhaust Center U	FKM V

PNEUMATIC VALVES | Brass Heavy Duty PE Series

PE | Solenoid Operated

- Heavy duty brass valves, solenoid operated
- 3/2, 5/2, 5/3
- Port size : 1/4" & 1/2" BSP & NPT

Application

- Suitable for use in aggressive environments such as mining, cement manufacturing and flour milling industries.

Technical Data

Fluid	Air / Inert gas / Water
Operation pressure	-1 to 10 bar
Ambient temperature	-5° to 55° C (option for FKM seals) up to 150° C
Lubrication	Not required (use turbine oil class ISO VG32 if lubricated)
Port size	1/4" & 1/2" BSP or NPT
Flow rate (Air)	1/4" port size = 1,100 L/min (at 5.5 bar) 1/2" port size = 3,500 L/min (at 5.5 bar)
Coil voltage	6V DC & 12-24-48-110-120-230V AC/DC
Power consumption	26VA - 10W
Minimum pilot pressure	All valves : 3 bar



Sol-Spring



Sol-Air



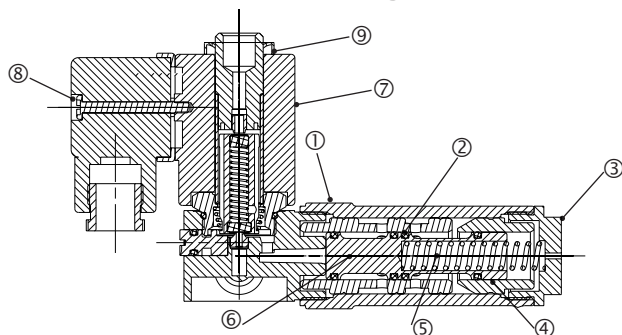
Sol-Sol



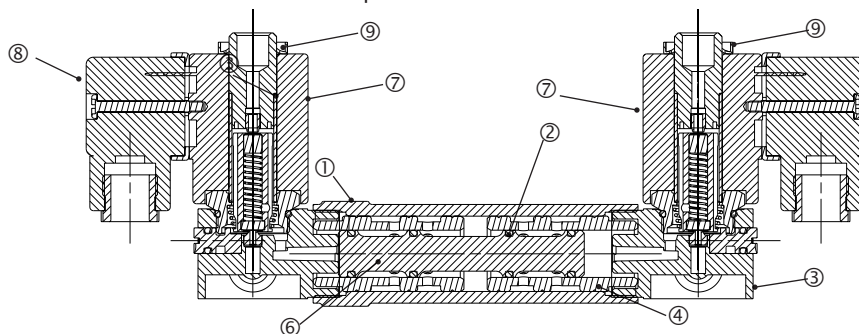
3 position Closed Center

Construction

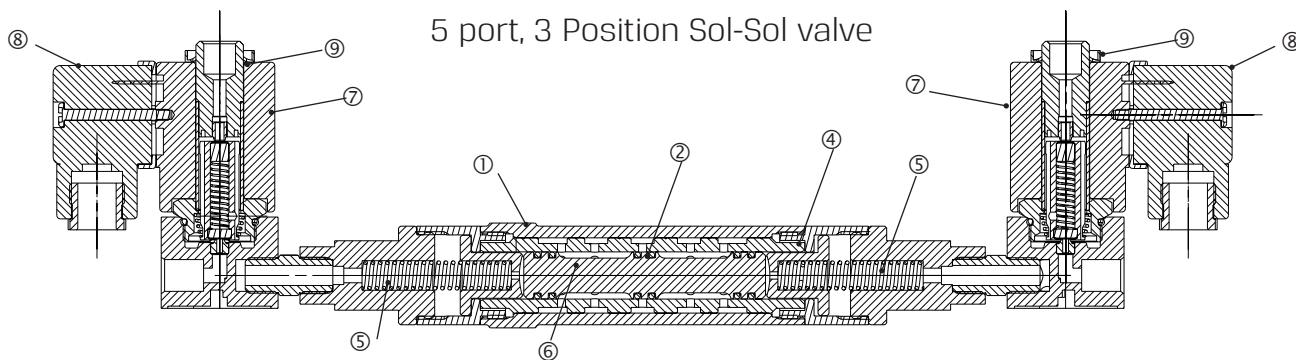
3 port Sol-Spring valve



5 port Sol-Sol valve



5 port, 3 Position Sol-Sol valve



Component Parts

No.	Description	Material
1	Body	Brass *
2	"O" ring	NBR or FKM
3	End cover	Brass
4	Sleeve	Brass
5	Spring	-
6	Spool	Brass
7	Solenoid coil	
8	Connector	
9	Tightening	

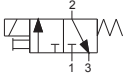
* Painted with grey polyester

PNEUMATIC VALVES | Brass Heavy Duty

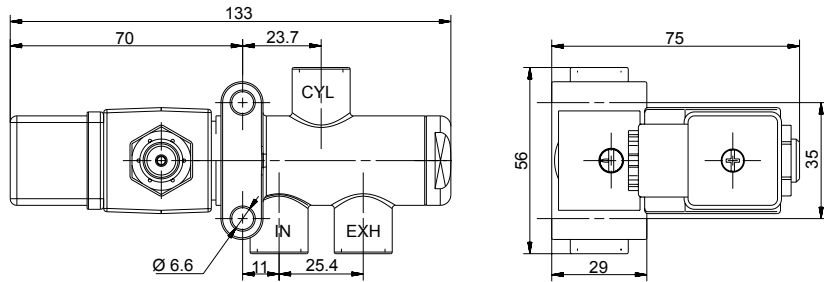
PE Series

PE | Solenoid Operated

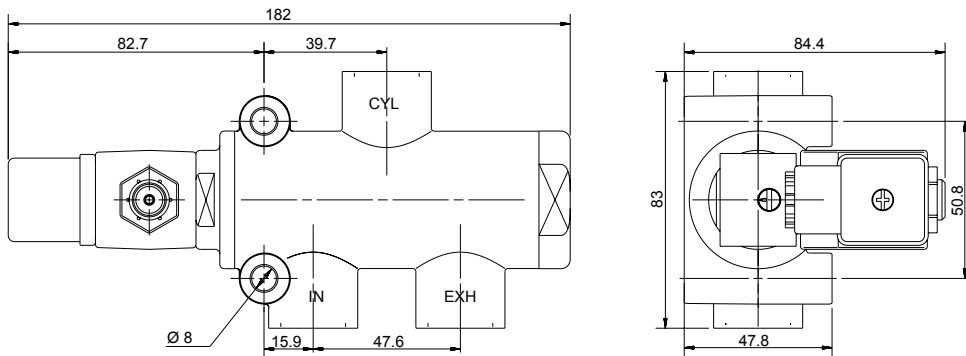
PES3-S | Sol-Spring | 1/4", 1/2" | 3 port



Port size : 1/4"



Port size : 1/2"

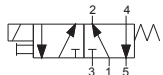


How to Order

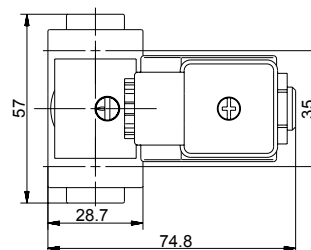
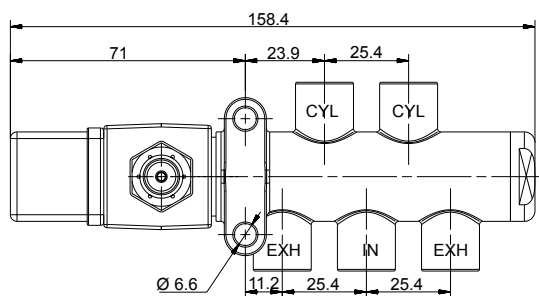
PES3	PORT SIZE	S	SEAL MATERIAL	EXTERNAL AIR SUPPLY (1)	MANUAL OVERRIDE	COIL VOLTAGE	POWER	CONNECTOR		
	1/4" BSP	0	NBR	N	without	1	None	0	without	0
	1/4" NPT	1	FKM	V	with	2	Plastic	1	standard	1
	1/2" BSP	2					Brass slot	2 ⁽²⁾	with LED	2
	1/2" NPT	3					non-locking	3 ⁽²⁾	with LED + surge protection	3
							locking	4 ⁽²⁾	with 1/2" hub	4
							St.st knob			
							St.st knob			
							without	0		
							6	1	AC	
							12	2	8W50Hz	
							24	3	AC	
							48	4	8W60Hz	
							110	5	DC10W	
							120	6		
							230	7		
							240	8		
							other	9		

(1) Only for BSP
(2) Special order

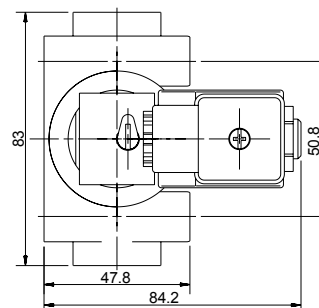
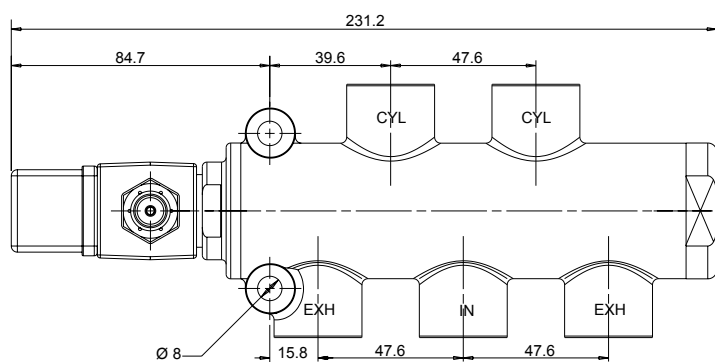
PES5-S | Sol-Spring | 1/4", 1/2" | 5 port



Port size : 1/4"



Port size : 1/2"

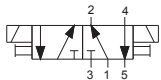


How to Order

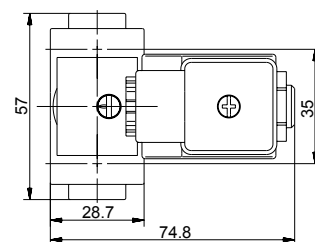
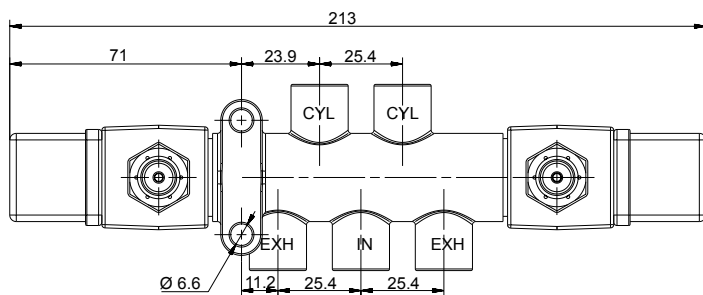
PES5	PORT SIZE	S	SEAL MATERIAL	EXTERNAL AIR SUPPLY ⁽¹⁾	MANUAL OVERRIDE	COIL VOLTAGE	POWER	CONNECTOR					
	1/4" BSP	0	NBR	N	without	1	None	0	without	0			
	1/4" NPT	1	FKM	V	with	2	Plastic	1	6	1	AC	standard	1
	1/2" BSP	2					Brass slot	2 ⁽²⁾	12	2	8W50Hz	with LED	2
	1/2" NPT	3					non-locking	3 ⁽²⁾	24	3	AC	with LED + surge	3
							locking	4 ⁽²⁾	48	4	8W60Hz	protection	3
							locking	4 ⁽²⁾	110	5	DC10W	with 1/2" hub	4
							St.st knob	4 ⁽²⁾	120	6			
							St.st knob	4 ⁽²⁾	230	7			
									240	8			
									other	9			

(1) Only for BSP
(2) Special order

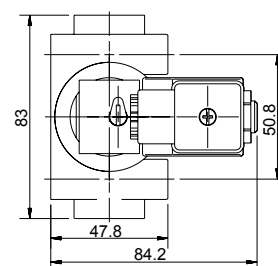
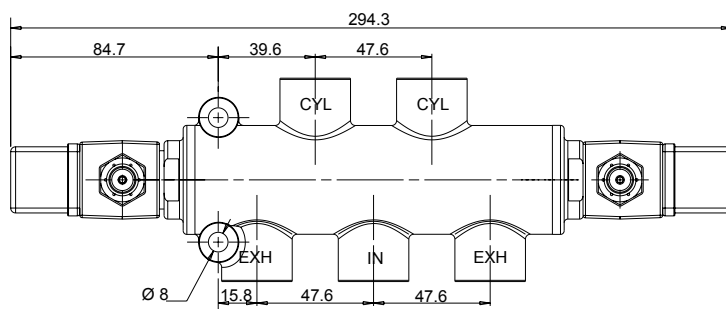
PES5-D | Sol-Sol | 1/4", 1/2" | 5 port



Port size : 1/4"



Port size : 1/2"



How to Order

PES5	PORT SIZE	D	SEAL MATERIAL	EXTERNAL AIR SUPPLY ⁽¹⁾	MANUAL OVERRIDE	COIL VOLTAGE	POWER	CONNECTOR					
	1/4" BSP	0	NBR	N	without	1	None	0	without	0			
	1/4" NPT	1	FKM	V	with	2	Plastic	1	6	1	AC	without	1
	1/2" BSP	2					Brass slot	2 ⁽²⁾	12	2	8W50Hz	with LED	2
	1/2" NPT	3					non-locking	3 ⁽²⁾	24	3	AC	with LED + surge protection	3
							locking	4 ⁽²⁾	48	4	8W60Hz		
							St.st knob		110	5	DC10W	with 1/2" hub	4
							St.st knob		120	6			
									230	7			
									240	8			
									other	9			

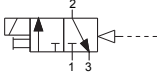
(1) Only for BSP
(2) Special order

PNEUMATIC VALVES | Brass Heavy Duty

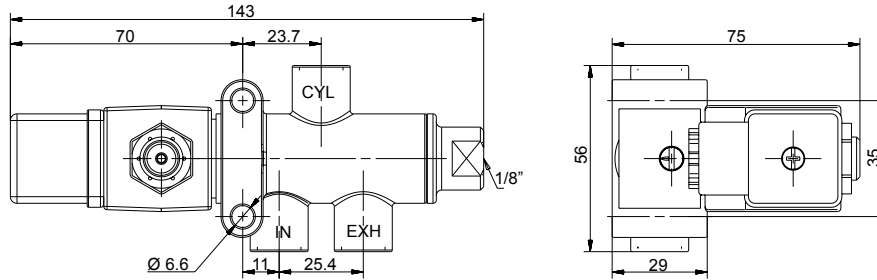
PE Series

PE | Solenoid Operated

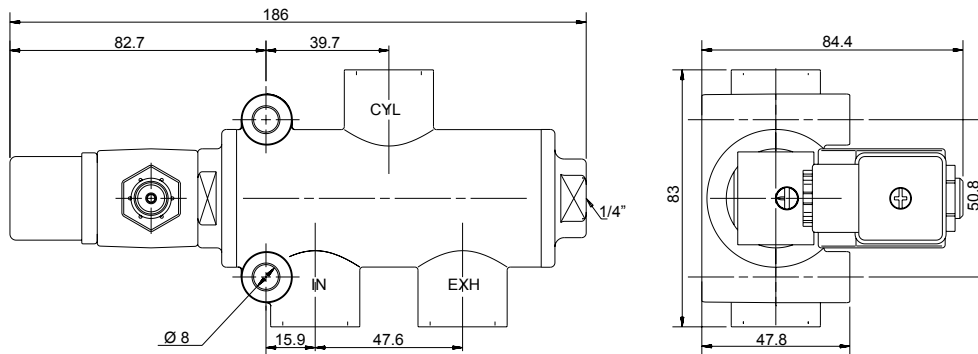
PES3-A | Sol-Air | 1/4", 1/2" | 3 port



Port size : 1/4"



Port size : 1/2"



How to Order

PES3	PORT SIZE	A	SEAL MATERIAL	EXTERNAL AIR SUPPLY ⁽¹⁾	MANUAL OVERRIDE	COIL VOLTAGE	POWER	CONNECTOR					
	1/4" BSP	0	NBR	N	without	1	None	0	without	0			
	1/4" NPT	1	FKM	V	with	2	Plastic	1	6	1	AC	standard	1
	1/2" BSP	2					Brass slot	2 ⁽²⁾	12	2	8W50Hz	with LED	2
	1/2" NPT	3					non-locking	3 ⁽²⁾	24	3	AC	with LED + surge protection	3
							locking	4 ⁽²⁾	48	4	8W60Hz		3
							locking	4 ⁽²⁾	110	5	DC10W	with 1/2" hub	4
							St.st knob	4 ⁽²⁾	120	6			
							St.st knob	4 ⁽²⁾	230	7			
									240	8			
									other	9			

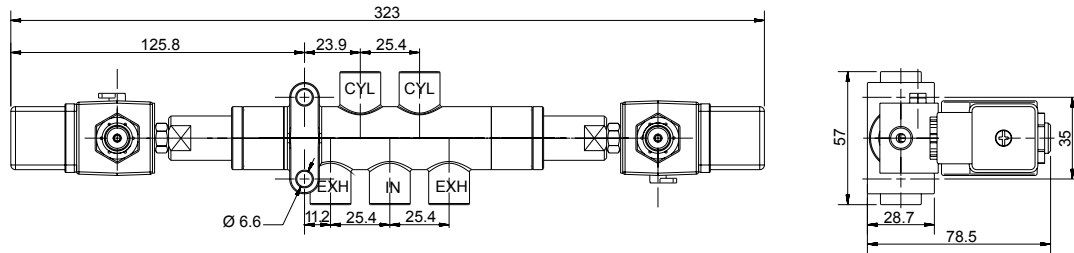
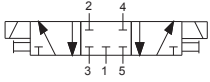
(1) Only for BSP
(2) Special order

PNEUMATIC VALVES | Brass Heavy Duty

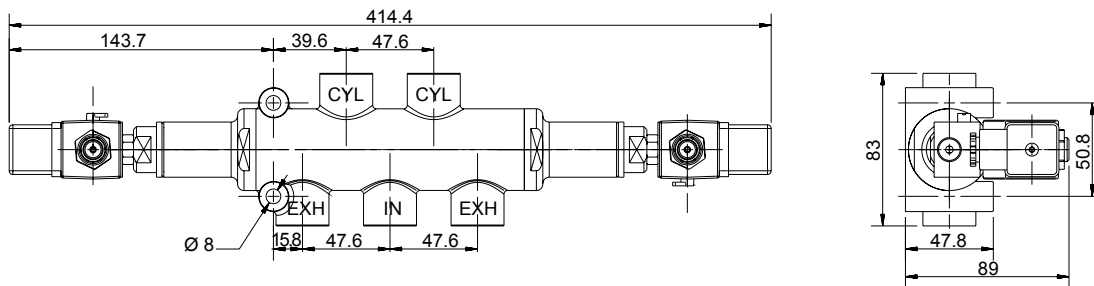
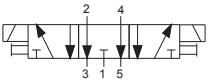
PE Series

PE | Solenoid Operated

PES5-P | 3 Position Closed Center | Sol-Sol | 1/4" | 5 port



PES5-U | 3 Position Exhaust Center | Sol-Sol | 1/2" | 5 port



How to Order

PES5	PORT SIZE	FUNCTION	SEAL MATERIAL	EXTERNAL AIR SUPPLY ⁽¹⁾	MANUAL OVERRIDE	COIL VOLTAGE	POWER	CONNECTOR
	1/4" BSP 0	Closed Center P	NBR N	without 1	None 0	without 0	none 0	without 0
	1/2" BSP 2	Center P	FKM V	with 2	Plastic 1	6 1	AC 8W50Hz 1	standard 1
		Exhaust Center U			Brass slot 2 ⁽²⁾	12 2		with LED 2
					non-locking 3 ⁽²⁾	24 3	AC 8W60Hz 2	with LED + surge protection 3
					locking 4 ⁽²⁾	48 4		
					St.st knob 4 ⁽²⁾	110 5	DC10W 3	with 1/2" hub 4
						120 6		
						230 7		
						240 8		
						other 9		

(1) Only for BSP
(2) Special order



TECHNICAL INFORMATION

VALVE FUNCTIONS	160
OPERATING MECHANISM	161
VALVE SIZING	162
ELECTRICAL PARAMETERS	163
MANUAL OVERRIDES	164
GEM-SOL® SPECIAL ASSEMBLY PROCEDURES	164
GEM-SOL® ELASTOMER MATERIALS	165
FLOW CHART FOR LIQUIDS	166
FLOW CHART FOR GASES	167
OPERATION DRIVER FOR LATCH COILS	168
CONDUITS SIZING	169
LONG DISTANCE OPERATORS CHARTS	170



Valve Functions

Two way valves have one orifice and two ports : one inlet and one outlet. They are available with the following functions :

- Normally Closed (NC) Fig. 1 - valve is closed for flow through the valve when the coil is de-energized.
- Normally Open (NO) Fig. 2 - valve is open for flow through the valve when the coil is de-energized.

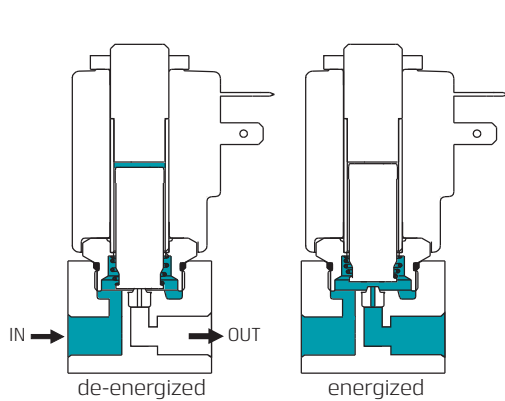


Fig. 1

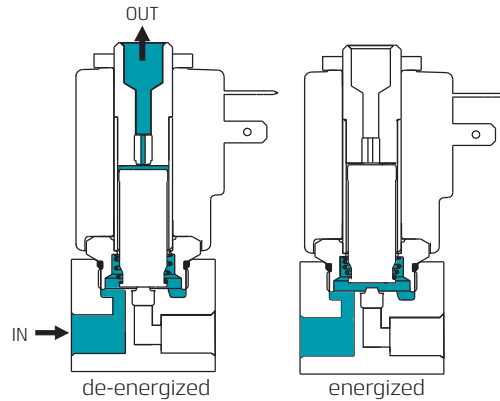


Fig. 2

Three way valves have two orifice and three ports : inlet, outlet and exhaust. They are available with the following functions :

- Normally Closed (NC) Fig. 3 - no flow from inlet port, flow is from outlet port to the exhaust.
- Normally Open (NO) Fig. 4 - flow from inlet port, no flow from the exhaust port.

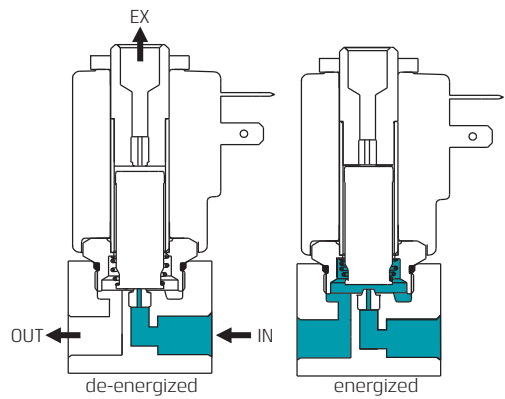


Fig. 3

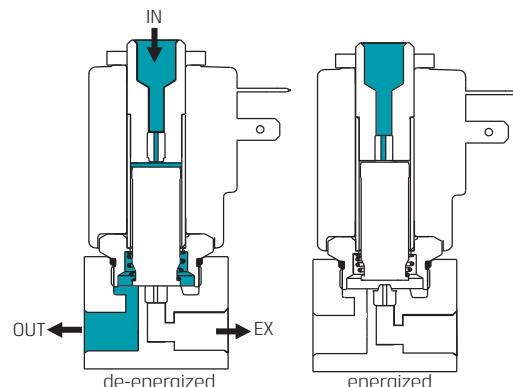


Fig. 4

Also available are the following non-standard functions : Divertor Fig. 5 - one inlet pressure with two outlets, one outlet is NO and the other NC. Selector Fig. 6 - two inlet pressures, one inlet is NO and the other NC.

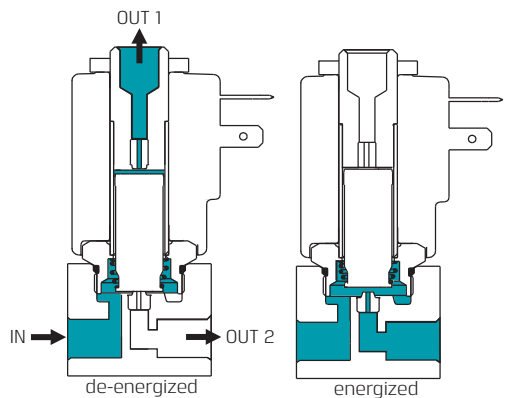


Fig. 5

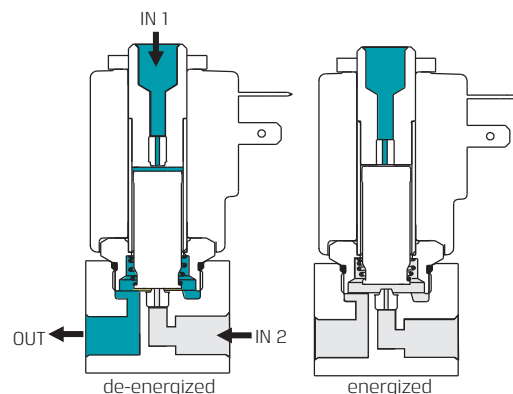


Fig. 6

Operating Mechanism

A solenoid valve is a combination of two functional units :

- A solenoid (electromagnet) with a moving core (plunger).
- A valve body containing the right orifices and seals mechanism.

The plunger in a solenoid valve moves and changes the flow direction when a current is supplied to the electromagnet.

There are two basic types of Baccara GEM-SOL® valves :

Direct operated solenoid valves

When the solenoid is energized in a direct acting valve, the plunger moves and directly acts on the valve disc to open, close or change the flow direction. Direct acting valves' performance depends directly on the orifice pressure and the magnetic power. The increase of line pressure or the orifice size requires more power from the electromagnet.

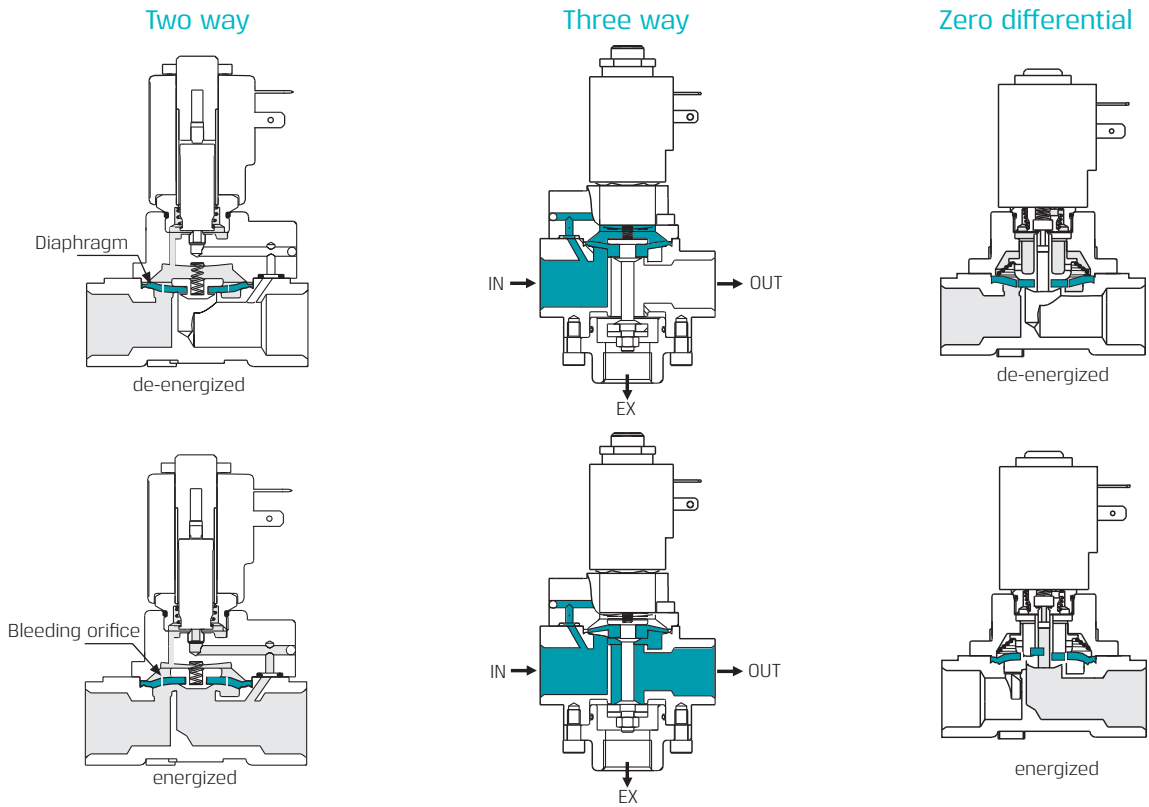
Pilot operated solenoid valves

These valves are recommended for applications where high flow at high pressure is required. A pilot chamber is used which is controlled by a direct acting solenoid valve. The movement of the plunger changes the pressure in the pilot chamber. When there is pressure in the pilot chamber the valve is closed. GEM-SOL® pilot valves are equipped with diaphragm, according to the valve function.

- Two way valves have a bleeding passage in the diaphragm, through which the pilot pressure flows into the pilot chamber; and one orifice to release the pressure when the solenoid is energized.
- Three way valves have a three way pilot solenoid to control the pilot chamber pressure.
- Pilot operated valves require a minimum operating pressure.

Zero differential valves

We also manufacture a two way pilot operated valve which works without differential pressure. For this type of valve, a mechanical spring helps to lift the diaphragm.



Valve Sizing

General

It is not recommended to select a solenoid valve according to its pipe connection port or its orifice size. The valve selection depends on the knowledge of the following factors:

pressure range minimum and maximum, differential pressure, minimum and maximum flow rate, the specific gravity of the fluid, temperature, viscosity, etc.

Pressure

The pressure is generally measured above the atmospheric pressure and is expressed in kg/cm² or bars of relative pressure.

The value of pressure terms in this catalog corresponds to the relative pressure.

Pressure drop ΔP

This is the difference of pressure between the upstream P1 and the downstream P2 of the valve when it is crossed by the fluid.

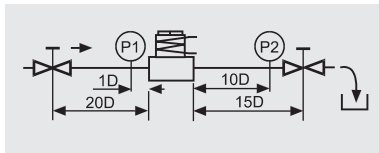
Differential pressure

Minimum - maximum

This is the minimum or maximum difference of pressure between the upstream P1 and the downstream P2 which secures perfect functioning of the device. Only a pilot operated solenoid valve requires the minimum differential pressure to operate.

Flow - the flow factor Kv (Cv)

The flow of a solenoid valve is the quantity of fluid per time units crossing the valve under certain conditions. It is this factor which determines its size. To obtain a simpler method of calculation and comparison between the various types of valves, all variables permitting the calculation of the flow have been reduced to a common denominator : the flow factor Kv (without units). The Kv factor can be determined by the flow chart or by calculation. When the Kv factor is determined, select the solenoid valve which has the equivalent flow factor. The flow factor values given in this catalog have been set up according to the following method :



Fluid is water, specific gravity 1 kg/dm³ the pressure drop P1, P2 is 1Kg/cm² in a way that the Kv is equal to the flow in liter/min.

$$Q = K_v \sqrt{\frac{\Delta P}{\gamma}} \quad K_v = Q \sqrt{\frac{\gamma}{\Delta P}}$$

When several valves are mounted in series, the resulting flow factor is equal to :

$$\frac{1}{K_{v_{Tot}}^2} = \frac{1}{K_{v_1}^2} + \frac{1}{K_{v_2}^2} + \frac{1}{K_{v_3}^2} + \dots + \frac{1}{K_{v_n}^2}$$

When several valves are mounted in parallel, the resulting flow factor is equal to :

$$K_{v_{Tot}} = K_{v_1} + K_{v_2} + K_{v_3} + \dots + K_{v_n}$$

Unit conversion
 Kv = flow factor (decimal units)
 to convert
 CV(USA) = 0.070Kv
 f (UK) = 0.0585Kv
 Kv = 14.28 Cv (USA)
 Kv = 17.11 f (UK)

Viscosity

Practically, the flow Kv is identical for a valve crossed by water or a medium having up to 3°E viscosity. The flow/pressure characteristic is effected above this limit. It is necessary to consider factor above 3°E - the flow factor Kv will be :

$$K_{v_x} = K_v \frac{C}{C_{water}}$$

$$C = \frac{\delta \sqrt{K_v}}{200 Q} + 1$$

δ = kinematic viscosity (in centistokes) of the fluid

Q = flow in liter/min

Kv = flow factor given in catalog

This calculation leads to a choice of a valve with a higher flow factor value than the one which would have been chosen for a fluid having a viscosity of 3°E.

Temperature

The limits of temperature of use of a solenoid valve depend essentially upon the nature of the discs and the design of the coil. The temperature developed in a solenoid valve is a function of the electrical characteristics of the coil, the duty cycle, the fluid and ambient temperatures. These parameters determine the "temperature of use".

For each type of solenoid valve, the temperature range is given in the technical data, however these figures are only a general guide. If temperature of use might extend the given limits, please contact our technical sales department.

Response time

The response time of a solenoid valve is the lapse of time between the electric signal and the outlet of fluid signal. The response time is effected by the following parameters:

Valve function, operating mode, orifice size, inlet pressure and pressure differential, fluid, temperature and coil characteristics.

The C.E.T.O.P defines the test of conditions as follows:

Test pressure : air at 6Kg/cm² - 85 PSI

Ambient temperature : 20° C - 68° F

Response time at energizing

Response time at energizing of the solenoid and until the outlet pressure reaches 90% of the test pressure.

Response time at de-energizing

Lapse of time between de-energizing of the solenoid and until the pressure outlet drops to 10% of the test pressure, see schemas of measure method and resulting curves for AC and DC current.

Average response time for GEM-SOL® valves can be assumed as follows:

- Direct acting solenoids 16 to 36 ms for complete cycle.
- Large direct acting solenoids 40 to 80 ms for complete cycle.
- Pilot operated valve 20 to 80 ms for complete cycle.

Cycling rate

The cycling rate of a solenoid depends directly on its response time.

It is the number of cycles per minutes calculated for continuous operation. The valve should not be reversed at less than 90% or above 10% at discharging of reference pressure.

$$\text{Cycles/Minutes} = \frac{60 \text{ sec}}{R_{T_e} + R_{T_d}}$$

R_{T_e} = response time at energizing (sec)
 R_{T_d} = response time at de-energizing (sec)

The cycling rate is the maximum possible cycles per minute of the solenoid valve. It varies when the valve is mounted in a circuit and depends then upon the installation pressure drop.

Electrical Parameters

The following parameters define a solenoid :

Tension (V) : volts
 Frequency : 50 Hz, 60 Hz direct current etc.
 Power consumption (w) : watts (VA) volt ampere

Intensity (A) : ampere at inrush holding
 Resistance (R) : ohms
 Impedance (Z) : ohms
 Max. temperature of the coil when continuously energized.

Alternating current

$$U=Z \cdot I \quad I=\frac{U}{Z} \quad P = U \cdot I \cos \varphi \text{ (Watt)}$$

$$P = U \cdot I \text{ (VA)}$$

$$\cos \varphi = \frac{R}{Z}$$

$$Z = \sqrt{R^2 + L^2 \omega^2}$$

L = inductance

ω = pulsation

Fig. 7

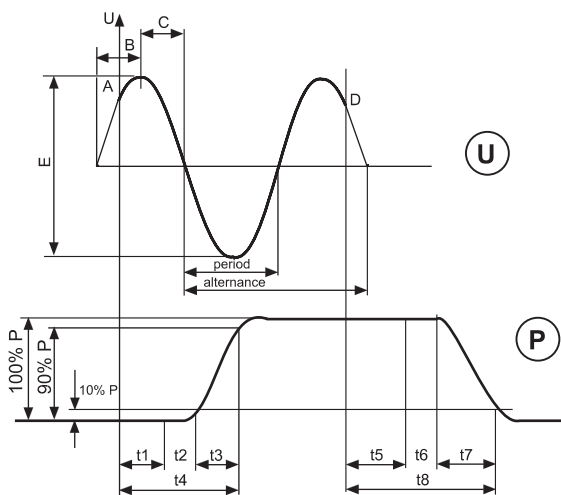
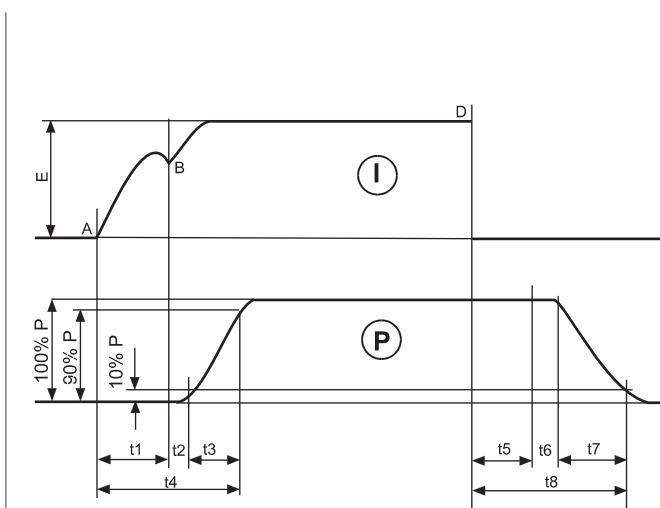


Fig. 7a



Response time

- | | | | |
|---|--------------------|----|--------------------------------|
| U | Voltage | E1 | Plunger |
| I | Current | t2 | Moving parts valve |
| E | Max. voltage | t3 | Increase pressure |
| P | Pressure | t4 | Response time at energizing |
| A | Switch ON | t5 | t5 = t1, t6 = t2 |
| B | Increasing current | t7 | Pressure fall |
| C | Decreasing current | t8 | Response time at de-energizing |
| D | Switch OFF | | |

Manual Overrides

Our solenoid valves are available with one of the following types of manual overrides :

Rotary type :

Manual override lifts the plunger by eccentric cam. It is available with the following options :

- Slot - made of Brass or Stainless steel, operated by a screw driver, up to 25 bar.
- Plastic - made of Nylon, operated by hand or screw driver, up to 12 bar.
- Knob - made of Brass or Stainless steel, operated by hand, up to 25 bar.

Push Lock :

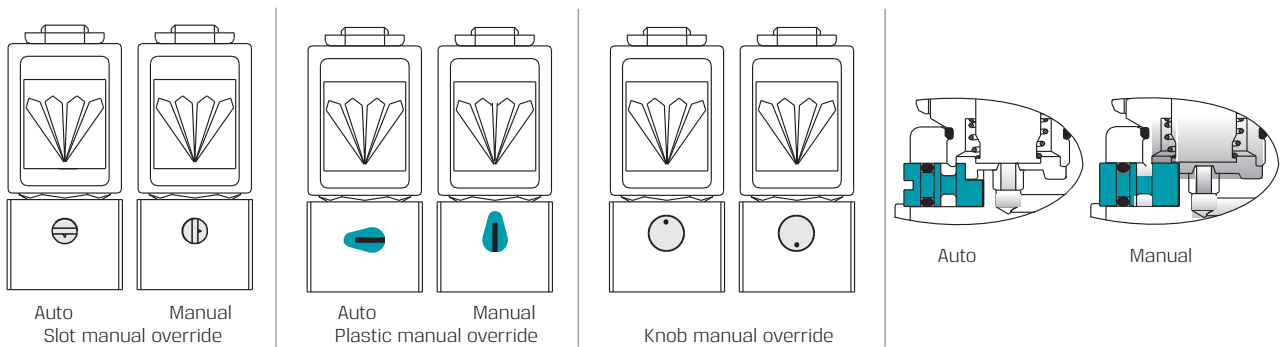
Manual override lifts the plunger when pushed in, 90° rotation locks it in "ON" position.
Made of Stainless steel. Up to 12 bar.

Push Hold :

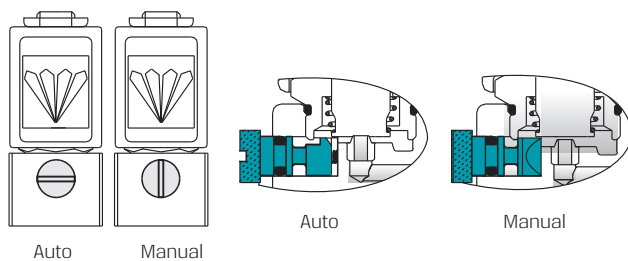
Manual override lifts the plunger when pushed in. Made of Stainless steel. Up to 12 bar.

Note: Valves used at pressure higher than 25 bar do not have manual override.

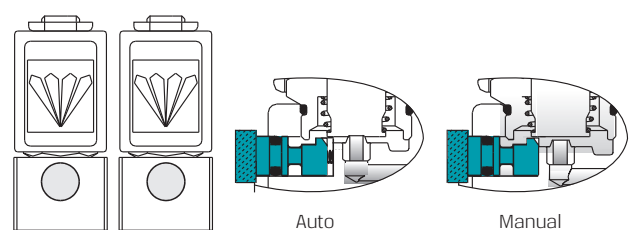
Rotary manual override



Push Lock Manual Override



Push Hold Manual Override



GEM-SOL® Special Assembly Procedures

Valves for oxygen :

All valve parts degreased to remove all oil. Valve assembled in oil free area with oil free tools and tested with clean air.

All ports are plugged and the valve is placed in a sealed bag.

Corrosion protection :

A special film of lubricant is applied to protect the internal parts of the valve from corrosion. This is highly recommended for applications where water drops can remain in the valve.

Reduced noise valves :

Two and three way valves with bumper to reduce the noise when the solenoid is energized. These valves are for DC only.

Silver shading ring :

Used on valves where media may attack standard copper rings, but not silver rings.

Helium leak detector :

We can provide valves and manifolds, tested for leak rates of up to 10^{-9} torr liter per min.

GEM-SOL® Elastomer materials

General information

GEM-SOL® solenoid valves can be used for many fluid types including acids, gases, solvents etc. To ensure appropriate functioning of the valve, particular care must be taken with the selection of the valve and seals materials. The information below summarizes the elastomers materials used for GEM-SOL® valves.

Please contact our technical department for further information.

NBR or BUNA-N

- NBR is a copolymer of butadiene and acrylonitrile. It is the most used elastomer in the seals industry and is the standard elastomer for GEM-SOL® valves.
- NBR is suitable for use from -20°C to 85°C. It has benefits over other elastomers with its compression set, tear and abrasion resistance.
- Air, cold water and inert gases are some of the materials NBR is recommended for.

EPDM - Ethylene Propylene Rubber

- EPDM is an elastomer made from ethylene and propylene monomers. It has a wider temperature range than NBR, -40°C to 149°C. Its main disadvantage is that it cannot be used with petroleum oils.
- Water, alcohol and acetone are some of the materials EPDM is recommended for.

Neoprene

- Neoprene is homopolymers of chloroprene. It has a temperature range of -20°C to 85°C. Neoprene is unusual because it is resistant to both oxygen and petroleum.
- Refrigerants, oxygen and petroleum oils are some of the materials Neoprene is recommended for.

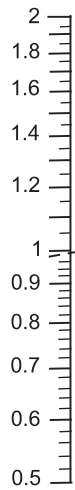
FKM

- FKM is a very important elastomer due to its wide compatibility to chemicals. It has a temperature range of -20°C to 180°C. This gives FKM a significant advantage over NBR, but it is still not the ultimate elastomer.
- Diesel oil, gasoline, some acids and trichlorethylene are some of the materials FKM is recommended for.

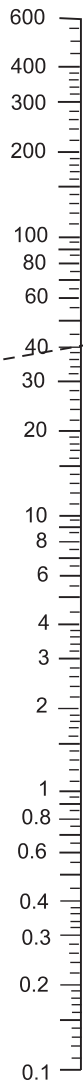
Flow Chart | Liquids

Kinematic viscosity : Max. 3° Engler

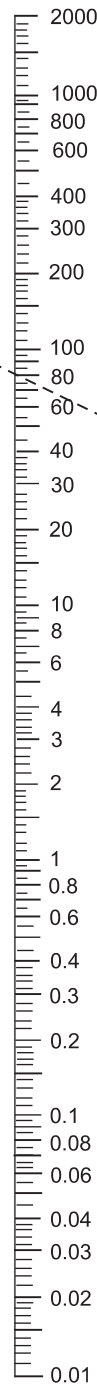
Spec. gravity
 γ (Kg/dm³)



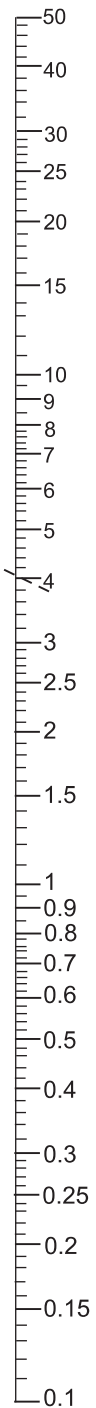
Flow factor
Kv



Flow rate
Q (l/min)



Pressure drop
 Δp (bar)



$$Q = K_v \sqrt{\frac{\Delta p}{\gamma}}$$

Q = ?
 $\gamma = 1$ (water)
 K_v = 40
 $\Delta p = 4$
Q = 80 l/m

$$K_v = Q \sqrt{\frac{\gamma}{\Delta p}}$$

K_v = ?
 $\gamma = 1$ (water)
 $\Delta p = 4$
 Q = 80
K_v = 40

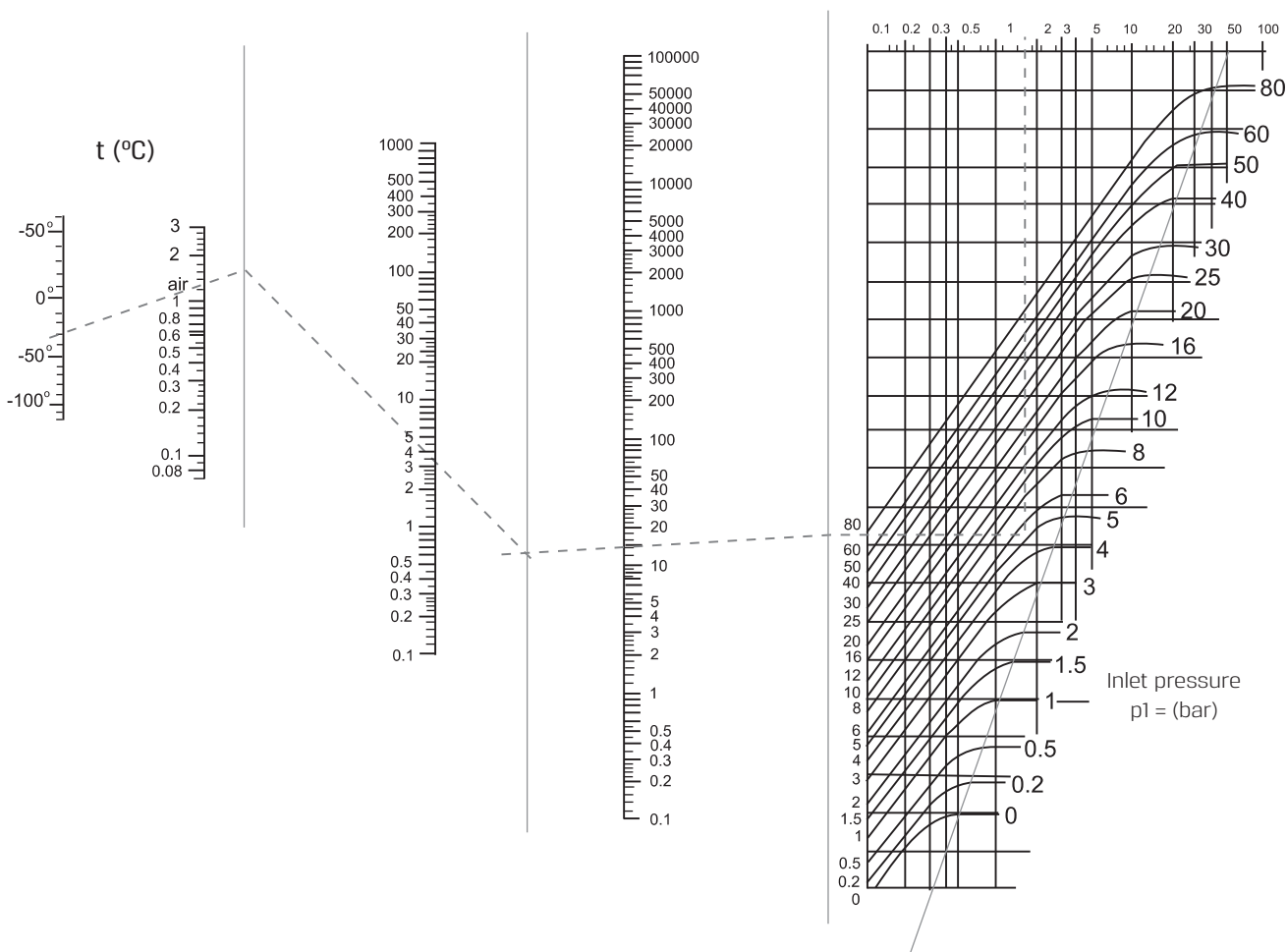
Flow Chart | Gases

Spec. gravity
 γ_N (Kg/m³)

Flow factor
K_v

Flow rate
Q_N (Nm³/h)

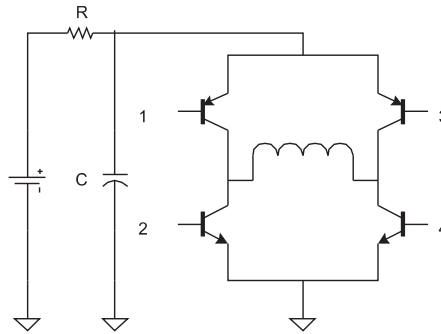
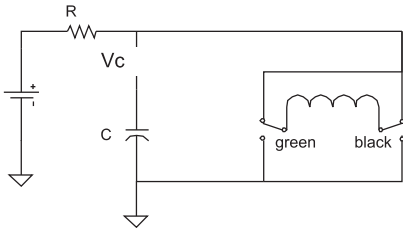
Pressure drop
 Δp (bar)



Q _N = ?	K _v = ?
t = 25	t = 25
γ_N = 1.3 (air)	γ_N = 1.3 (air)
K _v = 3	Q _N = 12
p ₁ = 5	p ₁ = 5
Δp = 1.8	Δp = 1.8
Q_N = 12 Nm³/h	K_v = 3

Operation Driver for Latch Coils

Non-direct operation with two switches (or four transistors)



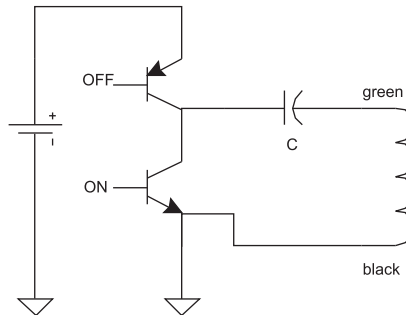
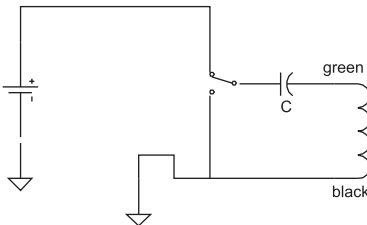
T_{vc} is the time to charge the capacitor. In order to reduce the time, use a similar resistor but never less than 100Ω .

$$C = 4700\mu\text{F}$$

$$T_{vc} = 5 \cdot R \cdot C [\text{sec}]$$

$$t_{\text{on/off}} = 30 \div 50 \text{ ms}$$

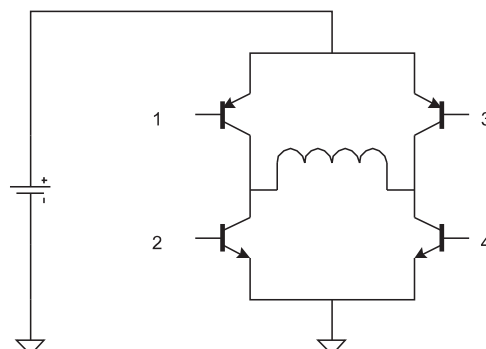
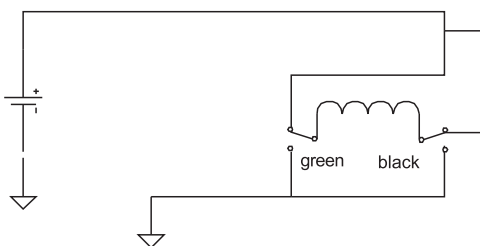
Non-direct operation with one switch (or transistor)



$$C = 4700\mu\text{F}$$

$$t_{\text{on/off}} = 30 \div 50 \text{ ms}$$

Direct operation



Conduits Sizing

GEM-SOL®

Wires cross-section selection for distance installation of GEM-SOL® solenoids

Solenoid type : GEM-SOL® 8W 24V AC					
No. of solenoids	1	2	3	4	Distance
Cross-section [mm²]	1.0	1.5	2.5	4.0	100m
	1.5	4.0	6.0	6.0	200m
	2.5	6.0			300m
	4.0	6.0			400m
	4.0				500m
	6.0				600m
	6.0				700m
	6.0				800m
					900m
				1000m	

Max. conduits resistance 4Ω

Solenoid type : GEM-SOL® 5.5W 24V AC					
No. of solenoids	1	2	3	4	Distance
Cross-section [mm²]	0.75	1.5	2.5	2.5	100m
	1.5	2.5	4.0	6.0	200m
	2.5	4.0	6.0		300m
	2.5	6.0			400m
	4.0				500m
	4.0				600m
	6.0				700m
	6.0				800m
	6.0				900m
				1000m	

Max. conduits resistance 5Ω

G75

Wires cross-section selection for distance installation of G75 solenoids

Solenoid type : G75 24V AC					
No. of solenoids	1	2	3	4	Distance
Cross-section [mm²]	0.5	0.5	0.75	1.0	100m
	0.5	1.0	1.5	2.5	200m
	0.75	1.5	2.5	2.5	300m
	1.0	2.5	2.5	4.0	400m
	1.5	2.5	4.0	6.0	500m
	1.5	4.0	4.0	6.0	600m
	2.5	4.0	6.0	6.0	700m
	2.5	4.0	6.0		800m
	2.5	4.0	6.0		900m
	2.5	6.0			1000m

Max. conduits resistance 15Ω

Solenoid type : G75 latch 4Q					
No. of solenoids	1	2	3	4	Distance
Cross-section [mm²]	0.75	1.5	1.5	2.5	10m
	1.5	2.5	4.0	6.0	20m
	1.5	4.0	6.0	6.0	30m
	2.5	6.0	6.0		40m
	4.0	6.0			50m
	4.0				60m
	4.0				70m
	6.0				80m
	6.0				90m
6.0				100m	

Max. conduits resistance 0.6Ω

Long Distance Operators Charts

LD0S32 (LDOS) | Long distance operating solenoid

Number of solenoids that operate simultaneously as a function of wire cross-sectional [mm ²] area and distance [mt] from energy source				
Distance in meters from energy source	WIRE CROSS-SECTIONAL AREA [mm ²]			
	0.50	1.00	1.50	2.50
200	12	25	38	65
400	6	12	19	40
600	4	8	12	21
800	3	6	9	16
1,000	2	5	7	13
1,500	1	3	5	9
2,000	1	2	3	6
2,500	1	2	3	5
3,000		1	2	4
3,500		1	2	4
4,000		1	2	3
5,000		1	1	2
6,000			1	2
7,000			1	1
8,000			1	1
9,000				1
10,000				1

Wire's maximum resistance for one solenoid is 175Ω

For further technical information, please refer to product pages in Solenoid Valves | Special purpose section.



LD0S32 (LDOS) assembled with S32 (GEM-S) solenoid

G75-LDO | Long distance operator 2 Way, 3 Way NC, NO

LD032 (GEM-LDO) | Long distance operator 2 Way, 3 Way NC, NO

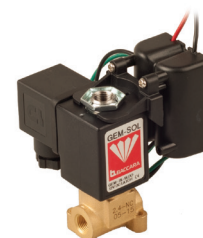
Number of solenoids that operate simultaneously as a function of wire cross-sectional [mm ²] area and distance [mt] from energy source				
Distance in meters from energy source	WIRE CROSS-SECTIONAL AREA [mm ²]			
	0.50	1.00	1.50	2.50
200	24	56	78	130
400	12	28	39	65
600	8	18	26	43
800	6	14	19	32
1,000	4	11	15	26
1,500	3	7	10	17
2,000	2	5	7	13
2,500	2	4	6	10
3,000	1	3	5	8
3,500	1	3	4	7
4,000	1	2	3	6
5,000	1	2	3	5
6,000		1	2	4
7,000		1	2	3
8,000		1	1	3
9,000		1	1	2
10,000		1	1	2

Wire's maximum resistance for one solenoid is 390Ω

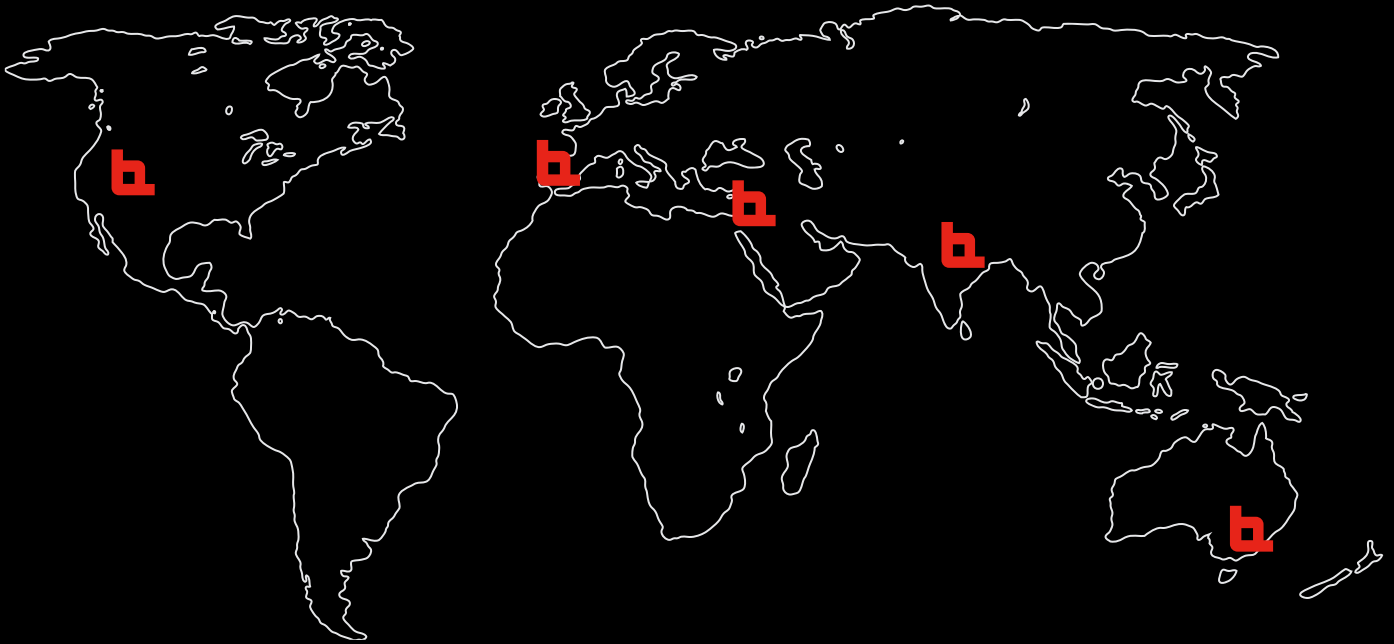
For further technical information, please refer to product page in Solenoid Valves | Special purpose section.



G75-LDO | assembled with G75-A operator & solenoid



LD032 (GEM-LDO) assembled with A32 (GEM-A) solenoid



BACCARA WORLD WIDE

BACCARA Corporate Headquarters

Kvutzat Geva, 1891500,
Israel
T. +972 4 653 5960
F. +972 4 653 1445
info@baccara-geva.com
www.baccara-geva.com

BACCARA Australia Pty. Ltd.

6 Jacks Road, Oakleigh South,
Victoria 3167,
Australia
T. +61 3 9570 2130
www.baccara-geva.com/australia/

Online Store: www.baccarastore.com.au

BACCARA Automation S.L.U.

Avenida De La Industria,
38, Nave A-15
28823 - Coslada (Madrid)
Spain
T. +34 91 344 6310
F. +34 91 344 6311
spain@baccara-geva.com
www.baccara-geva.com/es/

BACCARA USA

1312 W Stanford Avenue'
Englewood, CO 80110,
USA
T. +1 720 221 3221
info.us@baccara-geva.com
www.baccara-geva.com/usa/

BACCARA India

Empirical Business Center,
Office no. 405, Navale Icon,
Near Navale Bridge, off NH4, Narhe,
Pune, Pin-411041 Maharashtra
India
T. +91 91 685 27007
india@baccara-geva.com