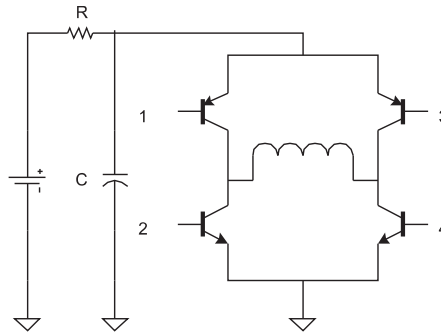
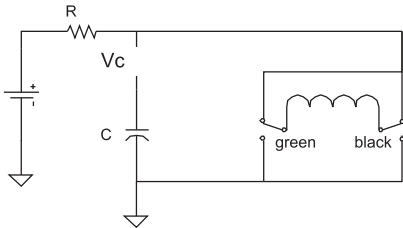


## Operation Driver for Latch Coils

Non-direct operation with two switches (or four transistors)



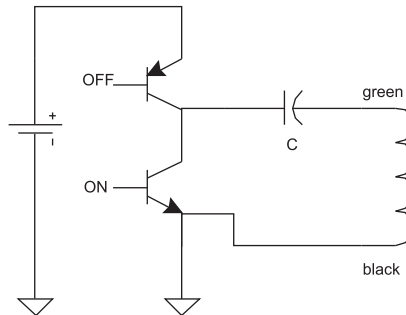
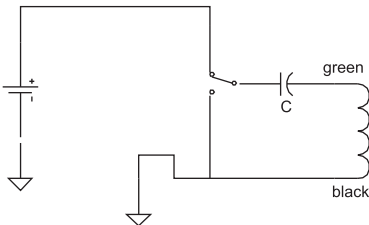
$T_{vc}$  is the time to charge the capacitor. In order to reduce the time, use a similar resistor but never less than  $100\Omega$ .

$$C = 4700\mu\text{F}$$

$$T_{vc} = 5 \cdot R \cdot C [\text{sec}]$$

$$t_{\text{on/off}} = 30 \div 50 \text{ ms}$$

Non-direct operation with one switch (or transistor)



$$C = 4700\mu\text{F}$$

$$t_{\text{on/off}} = 30 \div 50 \text{ ms}$$

Direct operation

