

## Lubrication

---

The valve comes pre lubricated and under normal operating conditions does not require re-lubrication.

Consult Baccara® technical staff for correct lubricants regarding the solenoid valve in use.

**Specifications:** See product catalog

## Materials

---

Valve body: Valve body: PA 6 + 15%GF

Valve seals: EPDM , NBR

Operator: PA 6.6 + 30%GF

Plunger and top orifice: Stainless steel

Manual override: PA 11+30% GF

Springs: Stainless steel



## Baccara® Direct operated G75-A series valves 1/8"

### Installation, Operation and Maintenance

#### General

---

- For safe use of the solenoid valve please read the entire IOM before using the valve.
- The user must recognize and follow all applicable industry specifications on safe installation and usage of the product.
- Misuse of the product may result in injuries or property damage.

Please contact Baccara® for additional information.

G75 Direct operated valves are designed for industrial control systems, fluid transporting systems and irrigation systems.

#### Installation

---

- Qualified personal only trained in maintenance and have read the instructions are permitted to assemble or disassemble the valve.
- Before mounting the valve it is essential to check that the solenoid valve model's voltage (Volt) and the frequency (Hz), correspond to the characteristics required.
- It is recommended to use an upstream filter where impurities, slag or deposits may enter the fluid.
- Media lines should be large enough to avoid excessive pressure loss under conditions of maximum flow. Sharp bends in piping should be avoided for older piping systems.
- For mounting, see image 1
- Ports functions, see image 1

## Electrical Connections

- All wiring must comply with local and national codes.
- The coil should not be energized before being installed on the valve, since this could cause it to burn out.

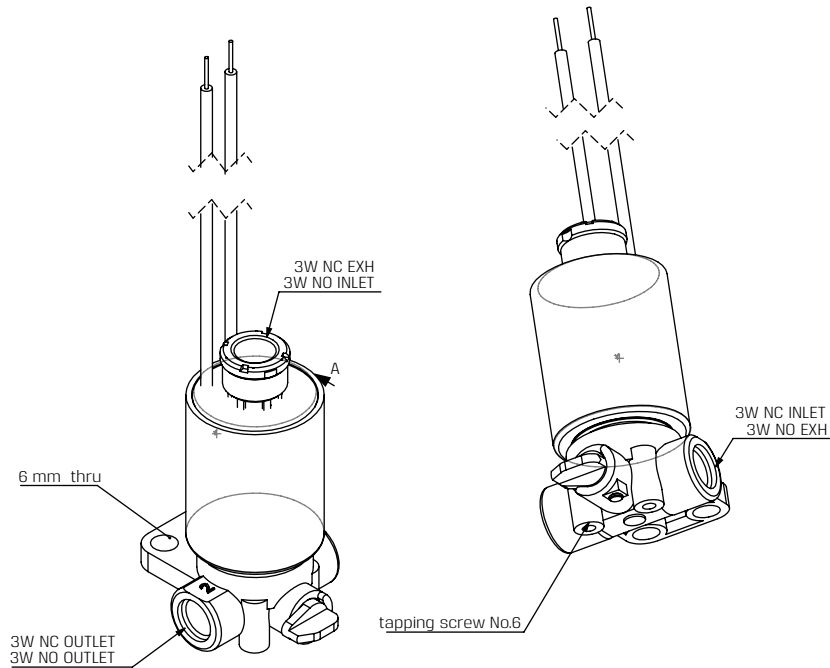
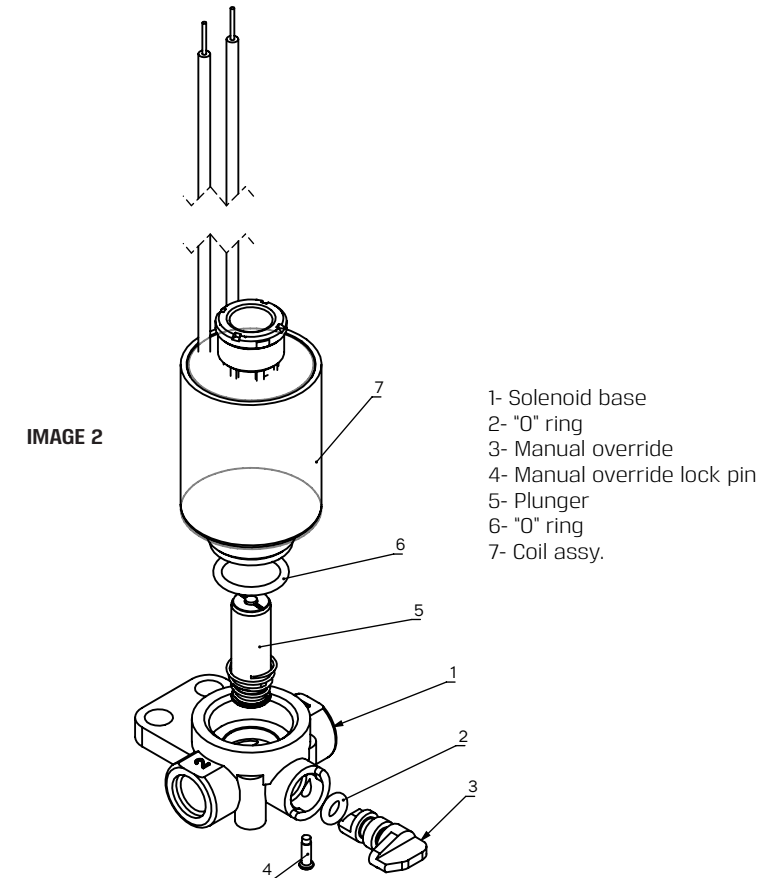


IMAGE 1

## Manual override operation

The manual override is made for manual operation of the valve when it is in an de-energized state or upon loss of power.



## General maintenance

Make sure the valve is disconnected from media supply or electrical ancillaries before attempting to do any maintenance. Clean and inspect all the internal parts and replace them if necessary with original spare parts available, as indicated in the catalogue. (See image 2)