

General maintenance

Make sure the valve is disconnected from media supply or electrical ancillaries before attempting to do any maintenance. Clean and inspect all the internal parts and replace them if necessary with original spare parts available, as indicated in the catalogue.

(See image 3)

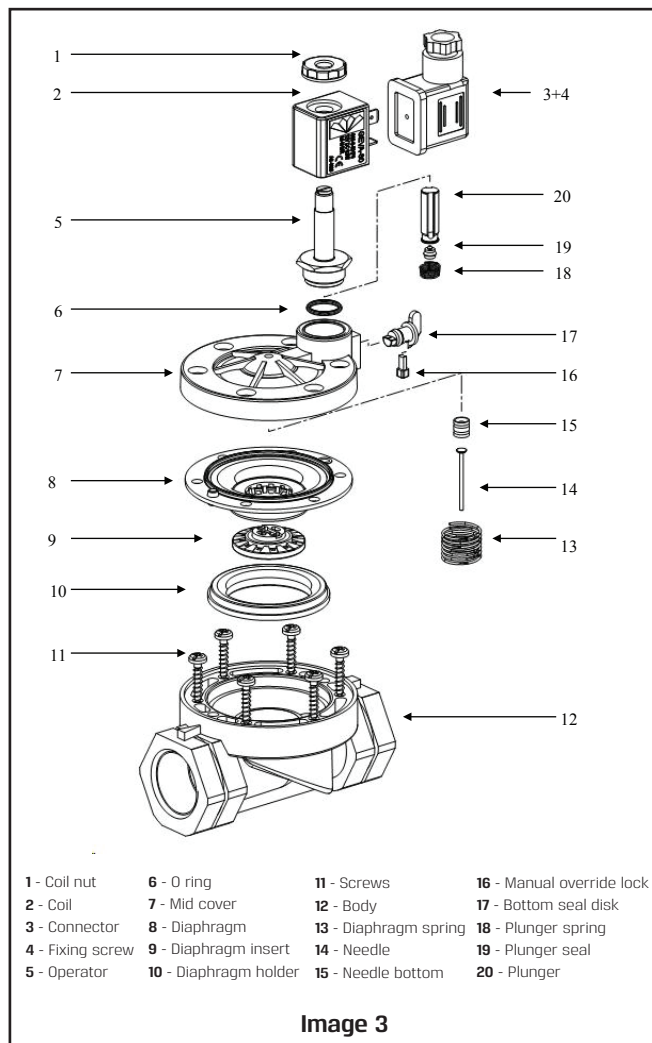
Lubrication

The valve comes pre lubricated from the factory and under normal operating conditions does not require re-lubrication.

Consult Baccara technical staff for correct lubricants regarding the solenoid valve in use and the application which in use (industrial, drinking water etc).

Materials

Valve body: NYLON 6 + 33%GF
Valve seals: EPDM, NBR
Mounting screws: Stainless steel
Operator: Stainless steel
Plunger and top orifice: Stainless steel
Manual override: NYLON 6 + 33%GF
Springs: Stainless steel



Baccara Pilot operated G80-S (Plastic) series valves 3/8" - 1"

Installation, Operation and Maintenance

General

- For safe use of the solenoid valve please read the entire IOM before using the valve.
- The user must recognize and follow all applicable industry specifications on safe installation and usage of the product.
- Misuse of the product may result in injuries or property damage.

Please contact Baccara for additional information.

G80 Pilot operated valves are designed for industrial control systems, fluid transporting systems and irrigation control.

Installation

- Qualified personal only trained in maintenance and have read the instructions are permitted to assemble or disassemble the valve.
- Before mounting the valve it is essential to check that the solenoid valve model's voltage (Volt) and the frequency (Hz), correspond to the characteristics required.
- It is recommended to use an upstream filter where impurities, slag or deposits may enter the fluid.
- Media lines should be large enough to avoid excessive pressure loss under conditions of maximum flow. Sharp turns in piping should be avoided for a more efficient media flow.

- This is an inline type valve and has no mounting threads.

Connect the system to the valve's inlet and outlet. (See image 1)

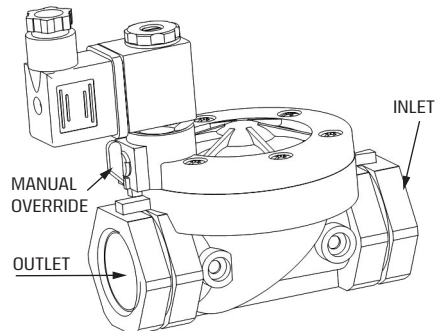


Image 1

Manual override operation

Note: Available only in 3/4" and 1" valves.

The manual override is made for manual operation of the valve when it is in an de-energized state or upon loss of power.

Electrical connections

- All wiring must comply with local and national codes.
- Ensure all valves are correctly grounded.
- Where applicable the earth terminal must be connected.
- The coil should not be energized before being installed on the valve, since this could cause it to burn out.

Wiring instructions for DIN connectors

1. Pass the cable through the housing and wire to the terminal block marked as follows (see image 2):
 - 1 Live / +ve
 - 2 Neutral / -ve
 - 3 Earth / Ground
2. Tighten the cable gland (nut, washer and Rommel) to prevent straining connections or allowing moisture admission.

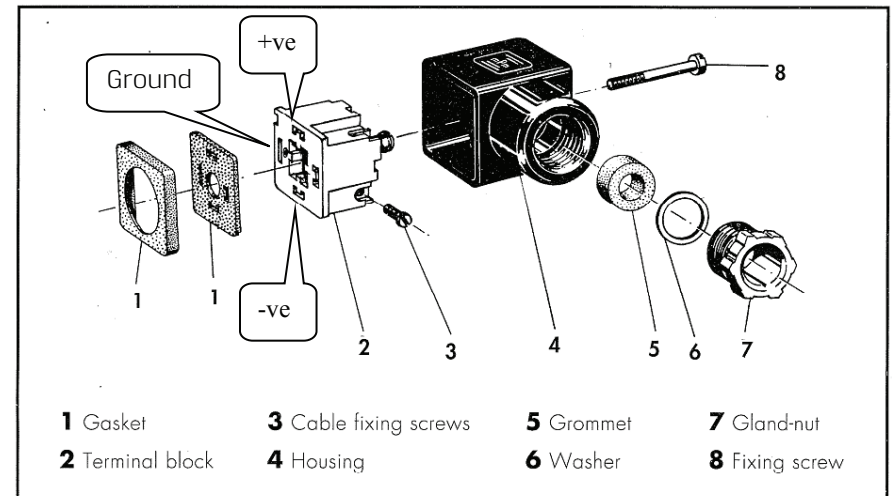


Image 2