

## General maintenance

Make sure the valve is disconnected from media supply or electrical ancillaries before attempting to do any maintenance. Clean and inspect all the internal parts and replace them if necessary with original spare parts available, as indicated in the catalogue. (See image 4)

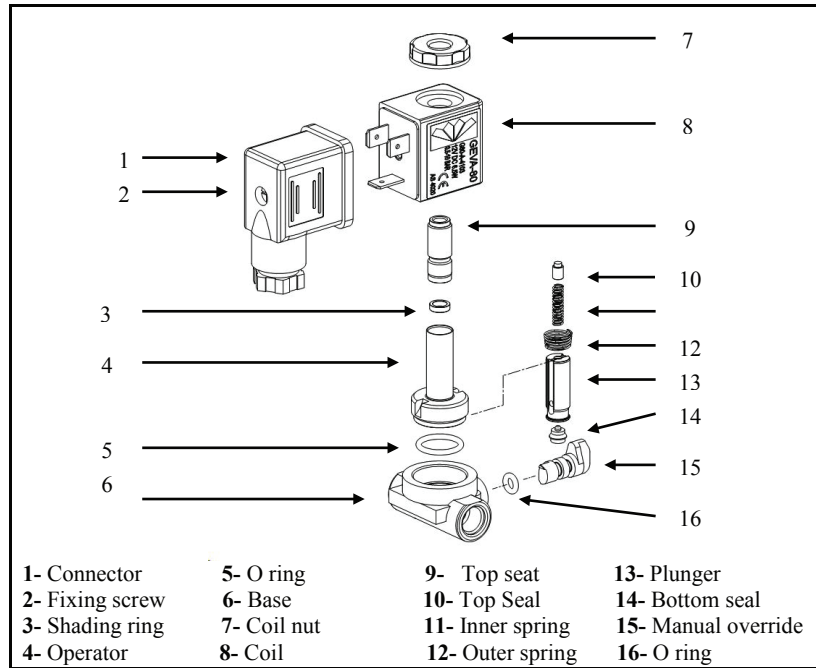


Image 4

## Lubrication

The valve comes pre lubricated and under normal operating conditions does not require re-lubrication.

Consult Baccara technical staff for correct lubricants regarding the solenoid valve in use and the application which in use (industrial, drinking water etc.)

## Materials

Valve body: NYLON 6 + 33%GF	Plunger and top orifice: Stainless steel
Valve seals: EPDM	Manual override: NYLON 6 + 33%GF
Mounting screws: Stainless steel	Springs: Stainless steel
Operator: Stainless steel	

Baccara Geva Ltd. | Kvutzat Geva | 1891500 | Israel | T. +972 4 6535960 | F. +972 4 6531445  
info@baccara-geva.com | www.baccara-geva.com



## Baccara Direct operated G80-A (Plastic) series valves 1/8"

### Installation, Operation and Maintenance

#### General

- For safe use of the solenoid valve please read the entire IOM before using the valve.
- The user must recognize and follow all applicable industry specifications on safe installation and usage of the product.
- Misuse of the product may result in injuries or property damage.

Please contact Baccara for additional information.

Direct operated valves are designed for industrial control systems, fluid transporting systems and irrigation systems.

#### Installation

- Qualified personal only trained in maintenance and have read the instructions are permitted to assemble or disassemble the valve.
- Before mounting the valve it is essential to check that the solenoid valve model's voltage (Volt) and the frequency (Hz), correspond to the characteristics required.
- It is recommended to use an upstream filter where impurities, slag or deposits may enter the fluid.
- We recommend using mufflers on all exposed ports.
- To mount the valve use two No.6 screws. (See image 1 on page 2)

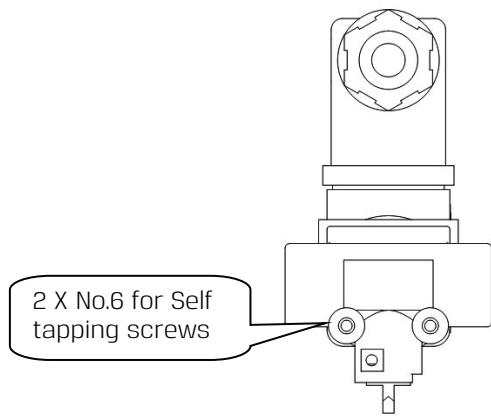


Image 1

Connect the system to the valve's inlet, outlet and exhaust. (See image 2)

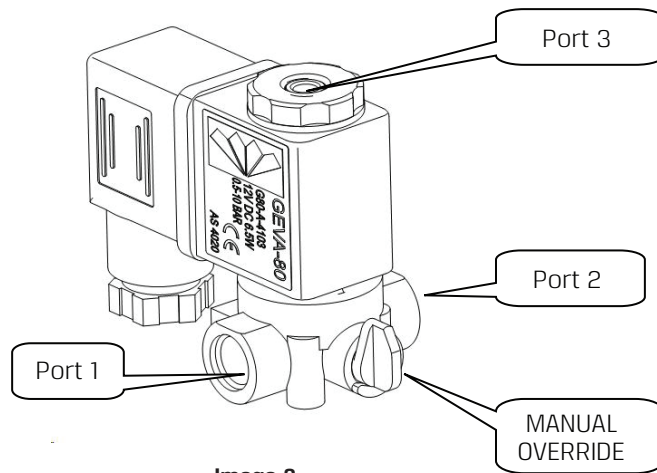


Image 2

## Manual override operation

The manual override is made for manual operation of the valve when it is in an de-energized state or upon loss of power.

## Electrical connections

- All wiring must comply with local and national codes.
- Ensure all valves are correctly grounded.
- The coil should not be energized before being installed on the valve, since this could cause it to burn out.

## Wiring instructions for DIN connectors

1. Pass the cable through the housing and wire to the terminal block marked as follows (see image 4):

- 1 Live / +ve
- 2 Neutral / -ve
- 3 Earth / Ground

2. Tighten the cable gland (nut, washer and Rommel) to prevent straining connections or allowing moisture admission.

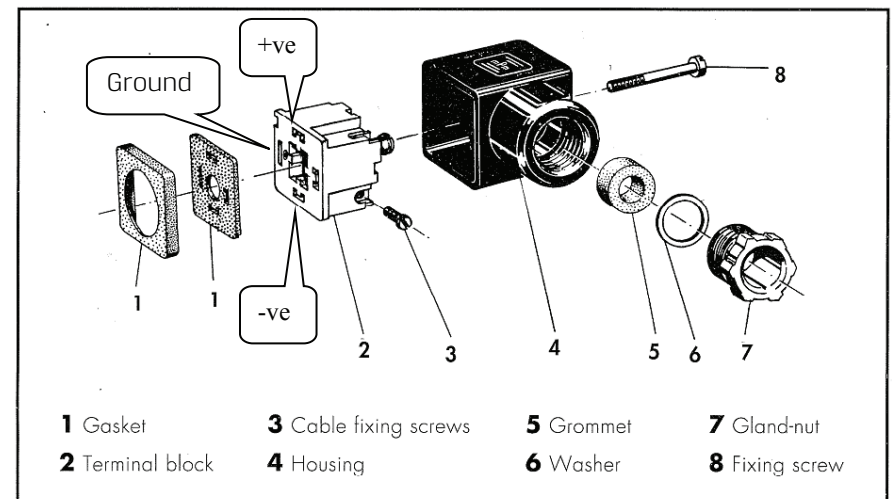


Image 3