

SOLENOID VALVES

GEM-FLOW™ | G75-VSA

1/8" Stand-alone Solenoid 3 Way NC, NO

Technical Data

Function	3 Way NC, NO
Ports size	1/8" BSPT & NPT
Orifice size	1.8 mm
Pressure range	0 to 8 bar
Switching time	30-50 ms
Temperature range	Fluid: 0°C to 50°C (no freezing) Ambient: -10°C to 50°C
Materials in contact with media	Manual override: Plastic (Reinforced Nylon) Main Valve: Plastic (Reinforced Nylon & POM) Solenoid Operator: Stainless Steel AISI 300 & 400 series Seals: EPDM
Mounting	Lock nut on the bottom COM port
Manual override	Latch: 3 position latch: Auto, Close, Open AC: 2 position: Auto, Open
Media	Air, water
Coil voltage	Latch, AC (according to table)
Standard protection class	IP66

* Can **only** be operated with supplied coil



PORT	NO	NC
1	Exhaust	Pressure
3	Pressure	Exhaust
COM	Out	Out

Voltage & Current

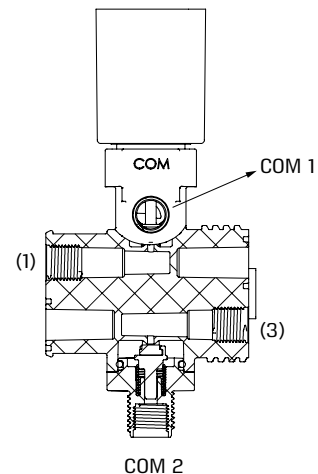
AC & DC

Solenoid	Inrush [A]	Holding [A]
24VAC-50 Hz	0.33	0.21

Latch Coil Resistance vs Input Voltage

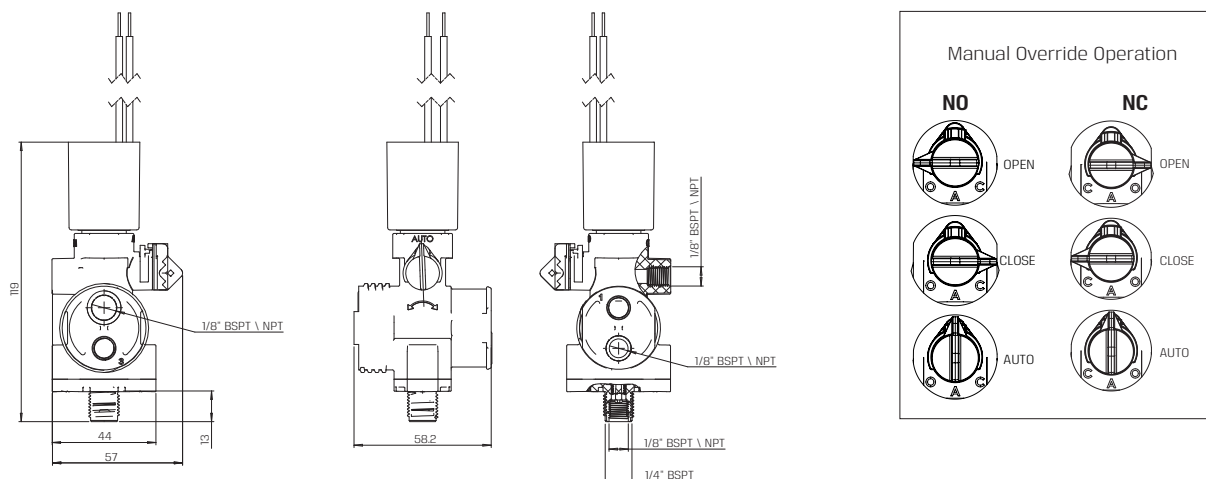
Recommendations chart

Resistance [Ω]	Input voltage range [V]
4	6 - 9
9	12 - 14
12	14 - 16
23	18 - 21



GEM-FLOW™ | G75-VSA | 1/8" Stand-alone Solenoid 3 Way NC, NO

Dimensions



How to Order

G75-VSA	BODY		PORT		FUNCTION		MANUAL OVERRIDE		ORIFICE		SEALS		TYPE	OUTLET ⁽³⁾		WIRES	
	Material	Code	1/8" BSPT	1/8" NPT	3W NC	3W NO	Material	Code	1.8	3a	EPDM	E		COM 1	COM 2	Wires	Wires
	Plastic	4	10	11	3	4	Plastic	1					24VAC-50Hz ⁽¹⁾	S1	1	two	Null
													4Ω ⁽²⁾	SB	2	three ⁽⁴⁾	a
													9Ω ⁽²⁾	SC			
													12Ω ⁽²⁾	SD			
													23Ω ⁽²⁾	S6			

Example: **G75-VSA-410313aE-SB1**

GEM-FLOW™ G75-VSA stand-alone solenoid, plastic, 1/8" BSPT, 3W NC, plastic manual override, 1.8 orifice, EPDM seals, 4Ω latch, COM 1 outlet, two wires

- (1) Refer to Voltage & Current AC & DC
- (2) Refer to Latch Coil Resistance vs Input Voltage | Recommendations chart
- (3) A plug will be fitted on the other outlet port
- (4) Latch only

* To order valves manufactured according to your specific requirements, please contact our technical sales department