

# SOLENOID VALVES

## GEM-FLOW™ | G75-A3P

1/8" Latch 2 Way, 3 Way NC, NO

### Technical Data

Function	2 Way NC, 3 Way NC, NO
Ports size	1/8" BSP & NPT
Orifice size	2.6 mm
Pressure range	<b>NC</b> 2 Way: 10 bar <b>NC</b> 3 Way: 8 bar <b>NO</b> 3 Way: 10 bar
Temperature range	<b>Fluid:</b> 5°C to 50°C (no freezing) <b>Ambient:</b> -10°C to 50°C
Materials in contact with media	<b>Manual override:</b> Plastic (Reinforced Nylon) NO: Red NC: Green <b>Main Valve:</b> UV Stabilized - Reinforced Nylon 6 30% GF <b>Solenoid Operator:</b> Stainless Steel AISI 300 & 400 series <b>Seals:</b> NBR
Mounting	2 x Ø6 mm holes
Manual override	3 positions (Open/Auto/Close)
Media	Air, water
Coil voltage	Latch
Switching time	40-60 msec
Electric connection	22AWG cable
Standard protection class	IP66

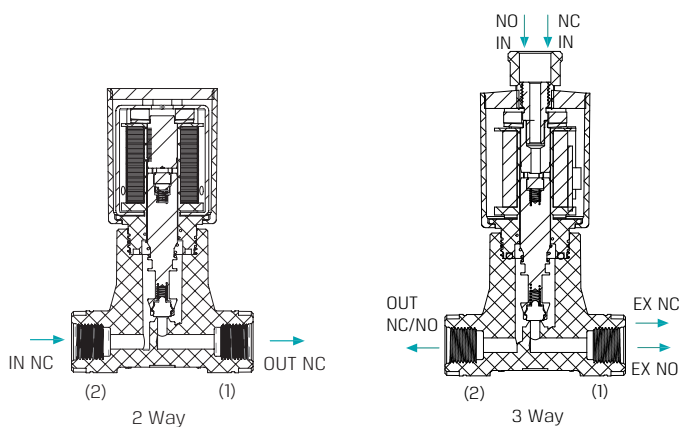
\* Can only be operated with supplied coil

\* Available with a manifold bracket upon request.  
Please contact our technical sales department



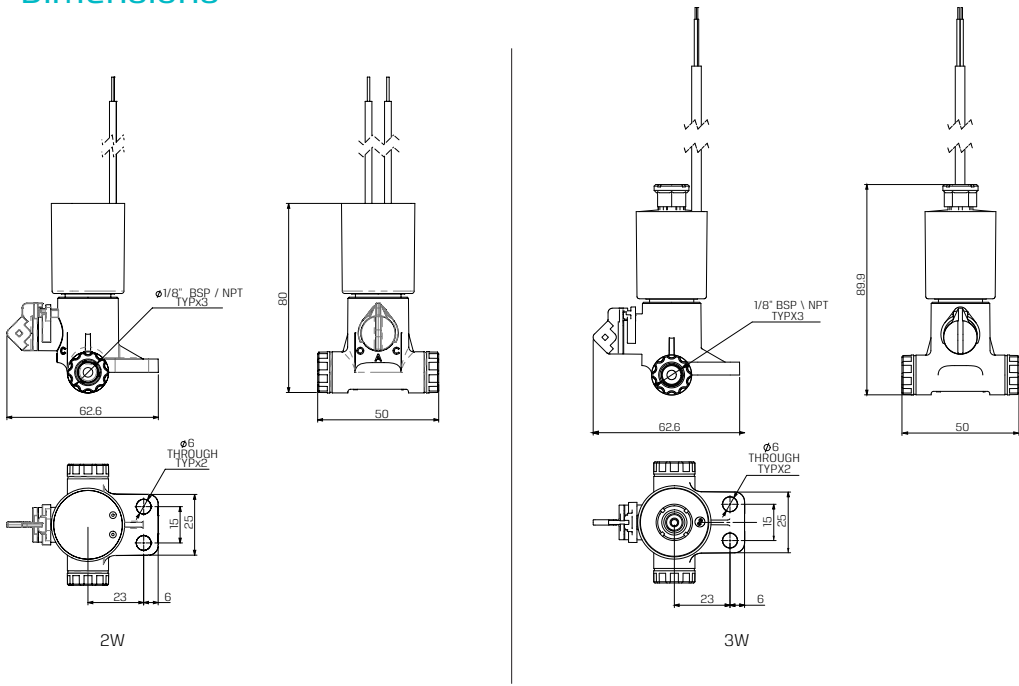
### Latch Coil Resistance vs Input Voltage Recommendations chart

Resistance [Ω]	Input voltage range [V]
1	8 - 12
4	12 - 18
9	18 - 24

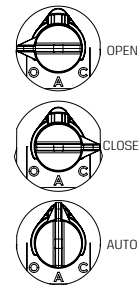


# GEM-FLOW™ | G75-A3P | 1/8" Latch 2 Way, 3 Way NC, NO

## Dimensions



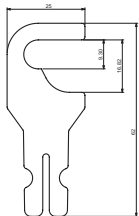
### Manual Override Operation



To manually open the valve:  
turn selector switch to OPEN

**NO:** To change from OPEN to AUTO:  
turn the selector switch to AUTO

**NC:** To change from OPEN to AUTO:  
turn the selector switch to CLOSE,  
and then to AUTO



**Mounting Bracket**  
Can be ordered separately  
PN 5940610527

## How to Order

G75-A3P	TYPE	PORT	FUNCTION <sup>(1)</sup>		ORIFICE		LATCH TYPE <sup>(2)</sup>		WIRES						
			2W NC	3W NC	2.6	5a	1Ω	4Ω	9Ω	PA	PB	PC	two	three	Null
	with flange	1	1/8" BSP	10	2W NC	1	2.6	5a	1Ω	PA	two	Null			
			1/8" NPT	11	3W NC	3			4Ω	PB	three	a			
					3W NO	4			9Ω	PC					

Example: **G75-A3P-11015a-PA**

GEM-FLOW™ G75-A3P, with flange, 1/8" BSP, 2W NC, 2.6 orifice, 1Ω latch with two wires

(1) To order NC configuration, please consult with our technical sales department

(2) Refer to Latch Coil Resistance vs Input Voltage Recommendations chart

\* To order valves manufactured according to your specific requirements, please contact our technical sales department