

SOLENOID VALVES

GEM-FLOW™ | G75-A

1/8", 1/4" 2 Way, 3 Way NC, NO

Technical Data

Function	2 Way, 3 Way NC, NO
Ports size	1/8" and 1/4" BSP & NPT
Orifice size	See table
Pressure range	See table
Temperature range	Fluid: 5°C to 50°C (no freezing) Ambient: -10°C to 50°C
Materials in contact with media	Manual override: Plastic (Reinforced Nylon) Main Valve: Brass or Plastic (Reinforced Nylon) Solenoid Operator: Stainless Steel AISI 300 & 400 series Seals: EPDM
Coil voltage	• Voltage and power consumption - see table
Standard protection class	IP66

* Available with a manifold bracket upon request.
Please contact our technical sales department



G75-A
Brass



G75-A | 2 Way
Plastic



G75-A | 3 Way
Plastic

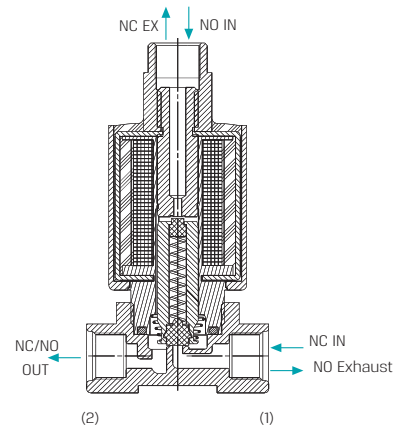
Latch Coil Resistance vs Input Voltage

Recommendations chart

Resistance [Ω]	Input voltage range [V]
4	6 - 9
9	12 - 14
12	14 - 16
23	18 - 21

Max. Pressure (bar)

Function	Orifice (mm)	AC	DC	DC Latch
2 Way NC	up to 2.0	12	12	12
3 Way NC	1	16	12	16
	1.2	11	9	11
	1.6	6	5	6
3 Way NO	1.0	16	16	16
	1.2	12	12	12
	1.6	10	10	10



Voltage & Current

AC & DC

Solenoid	Voltage	Inrush [A]	Holding [A]
2 Way 50 Hz	V +10% n-20%	0.3	0.19
2 Way 60 Hz		0.2	0.14
3 Way 50/60 Hz *		0.125	0.125
DC		4.5W	

* Except 24V AC without Diode

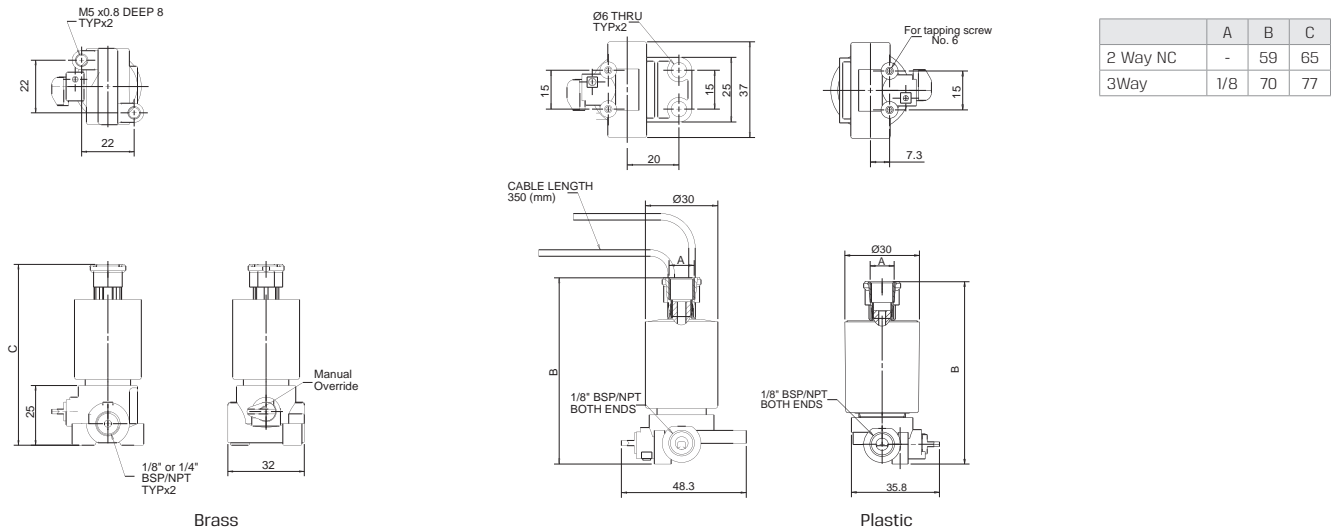
Voltage & Power Consumption

V	AC (W)	DC (W)
	50 Hz	
2	•	4.5
12	•	•
24	•	•
110	• 2 Way only	

* Available options

GEM-FLOW™ | G75-A | 1/8", 1/4" 2 Way, 3 Way NC, NO

Dimensions



How to Order

G75-A	TYPE	PORT	FUNCTION	MANUAL OVERRIDE	ORIFICE	VOLTAGE ⁽³⁾	WIRES
Brass	with flange 1	1/8" BSP 10	2W NC 1	None 0	1.0 ⁽¹⁾ 1	24V AC 1	two null
	3	1/8" NPT 11	3W NC 3	Plastic ⁽²⁾ 1	1.2 2	24V AC w/out Diode ⁽⁴⁾ 1R	three ⁽⁵⁾ a
		1/4" BSP ⁽¹⁾ 20	3W NO 4	1.6 3	12V AC 3		
		1/4" NPT ⁽¹⁾ 21	2.0 ⁽¹⁾ 4	12V DC 4			
						24V DC 5	
						23Ω 6	
						110V AC 7	
						4Ω B	
						9Ω C	
						12Ω D	

Example: **G75-A-110302-1**

GEM-FLOW™ G75-A with flange, 1/8" BSP, 3W NC, no manual override, 1.2 orifice, 24V AC coil, two wires

- (1) Brass only
- (2) Recommended for AC and continuous DC only
- (3) For Latch: Refer to Latch Coil Resistance vs Input Voltage | Recommendations chart
- (4) 3W NO 1.6 mm: Max pressure is 8 bars
- (5) For Latch only

* To order valves manufactured according to your specific requirements, please contact our technical sales department