

SOLENOID VALVES

GEM-SOL® | A3P32 (GEM-A3P)

Latch 3 positioning manual override
2 Way, 3 Way NC, NO

Technical Data

Function	2 Way, 3 Way NC, NO
Ports size	1/8" and 1/4" BSP & NPT
Orifice size	See table
Pressure range	See table
Kv (l/min)	See table
Temperature range	Fluid: -10°C to 80°C (no freezing) Ambient: -10°C to 50°C
Materials in contact with media	Manual override: Plastic (Reinforced Nylon) Main Valve: Brass Solenoid Operator: Stainless Steel AISI 300 & 400 series Seals: NBR, FKM, EPDM, FFKM
Media	Air, water, oil
Coil type	Latch
Standard protection class	IP65 with connector * Option: IP68 (please refer to GEM-BP Coil)

* Available with a manifold bracket upon request.
Please contact our technical sales department



Max. Pressure (bar) 2 Way NC

Orifice (mm)	0.8	1.2	1.6	2.0	2.4	3.0	4.0
Pressure (bar)	16	16	16	16	16	16	8
Flow factor Kv(l/min)	0.5	1.1	1.7	2.5	3.5	4.5	5

Max. Pressure (bar) 2 Way NO

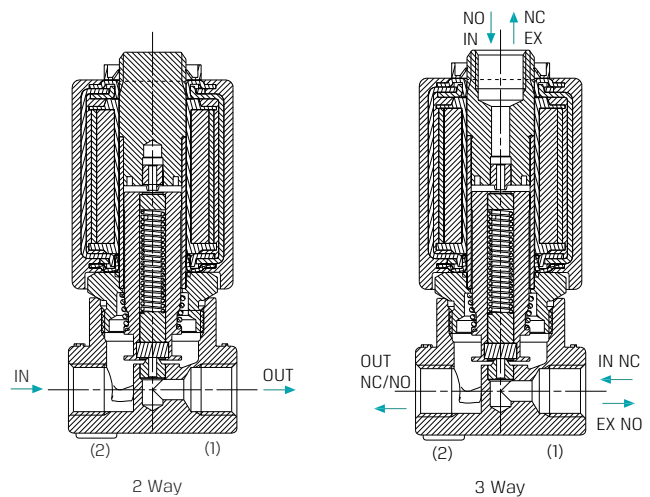
Orifice (mm)	0.8	1.2	1.6	2.0	2.4	3.0
Pressure (bar)	16	16	16	16	15	10
Flow factor Kv(l/min)	0.5	1.1	1.7	2.5	3.5	4.5

Max. Pressure (bar) 3 Way NC

Orifice (mm)	0.8	1.2	1.6	2.0	2.4	3.0
Pressure (bar)	16	16	16	14	9	5
Flow factor Kv(l/min)	0.5	1.1	1.7	2.5	3.5	4.5

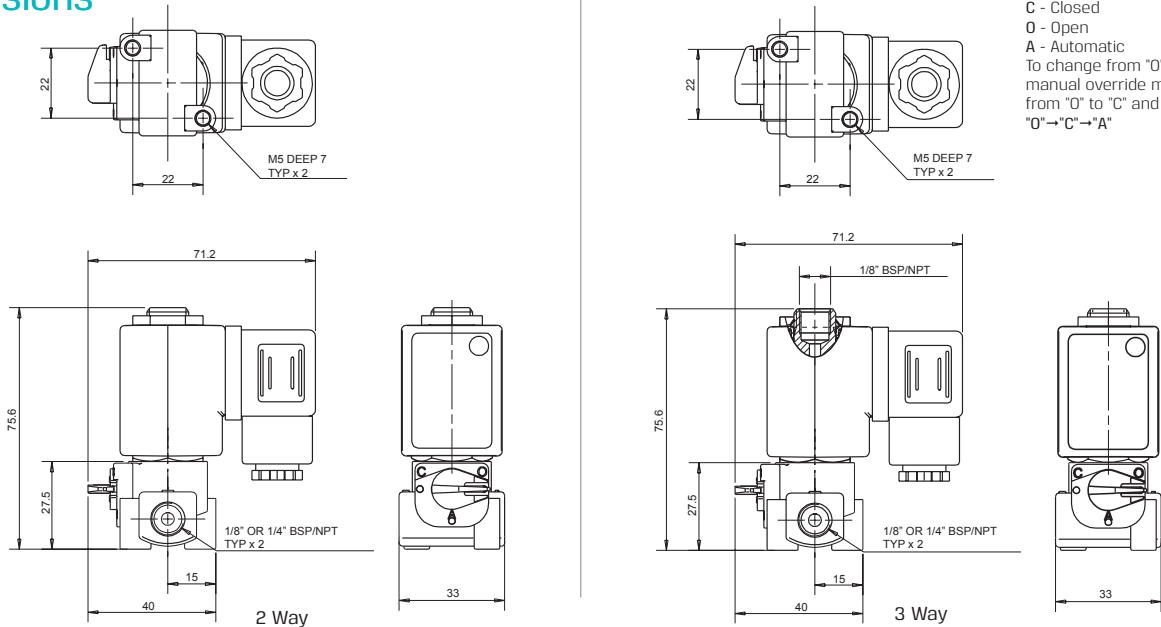
Max. Pressure (bar) 3 Way NO

Orifice (mm)	0.8	1.2	1.6	2.0	2.4	3.0
Pressure (bar)	16	16	16	12	10	7
Flow factor Kv(l/min)	0.5	1.1	1.7	2.5	3.5	4.5



GEM-SOL® | A3P32 (GEM-A3P) | Latch 3 positioning manual override 2 Way, 3 Way NC, NO

Dimensions



How to Order

GEM-A3P	BODY	PORT	FUNCTION	ORIFICE	SEALS	LATCH TYPE ⁽¹⁾		CONNECTOR							
						Ω	IL	EL	OL	DL					
Brass	2	1/8" BSP	10	2W NC	1	0.8	1	NBR	N	2Ω	LDO	with	1		
			11	2W NO	2	1.2	2	FKM	V	5Ω	IL	flying leads coil *	4		
		1/4" BSP	20	3W NC	3	1.6	3	EPDM	E	13Ω	EL	with 1/2" Hub	5		
			21	3W NO	4	2.0	4	FFKM	K	20Ω	OL	connector with moulded cable	7		
														2.4	5
														3.0	6
														4.0	7
														53Ω	DL

* **SPECIAL OPTIONS** | Extended lead times, Non-stock items, MOQ may be applicable

Example: GEM-A3P-21015N-LD01

GEM-SOL® A3P32 (GEM-A3P) latch 3 positioning manual override, Brass, 1/8" BSP, 2W NC, 2.4 orifice, NBR, 2Ω latch with connector

(1) Choose latch type according to which latch system you have

* To order valves manufactured according to your specific requirements, please contact our technical sales department