

PNEUMATIC VALVES | Brass Heavy Duty

PE Valves | Solenoid Operated

PE Series

- Heavy duty brass valves, solenoid operated
- 3/2, 5/2, 5/3
- Port size : 1/4" & 1/2" BSP & NPT

Application

- Suitable for use in aggressive environments such as mining, cement manufacturing and flour milling industries.

Technical Data

Fluid	Air / Inert gas / Water
Operation pressure	-1 to 10 bar
Ambient temperature	-5° to 55° C (option for FPM [Viton®] seals) up to 150° C
Lubrication	Not required (use turbine oil class ISO VG32 if lubricated)
Port size	1/4" & 1/2" BSP or NPT
Flow rate (Air)	1/4" port size = 1,100 L/min (at 5.5 bar) 1/2" port size = 3,500 L/min (at 5.5 bar)
Coil voltage	6V DC & 12-24-48-110-120-230V AC/DC
Power consumption	26VA - 10W
Minimum pilot pressure	All valves : 3 bar



Sol-Spring



Sol-Air



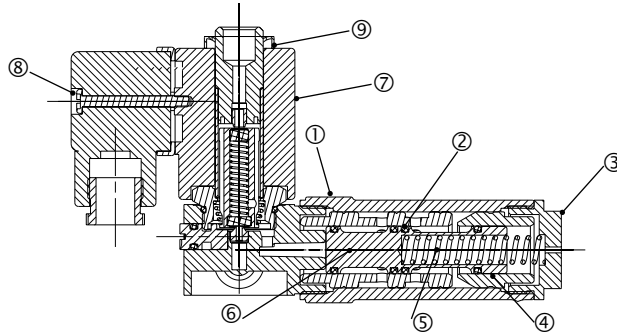
Sol-Sol



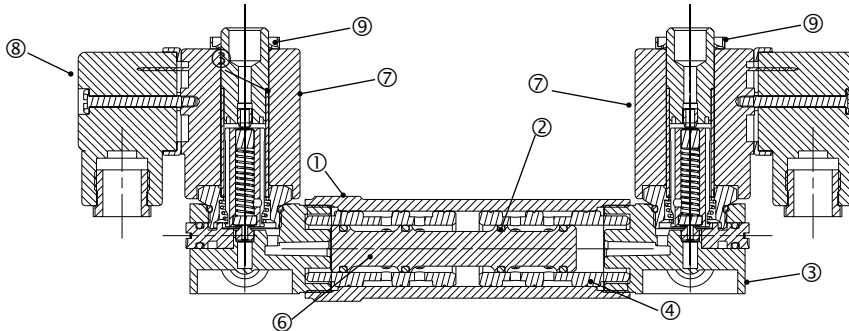
3 position Closed Center

Construction

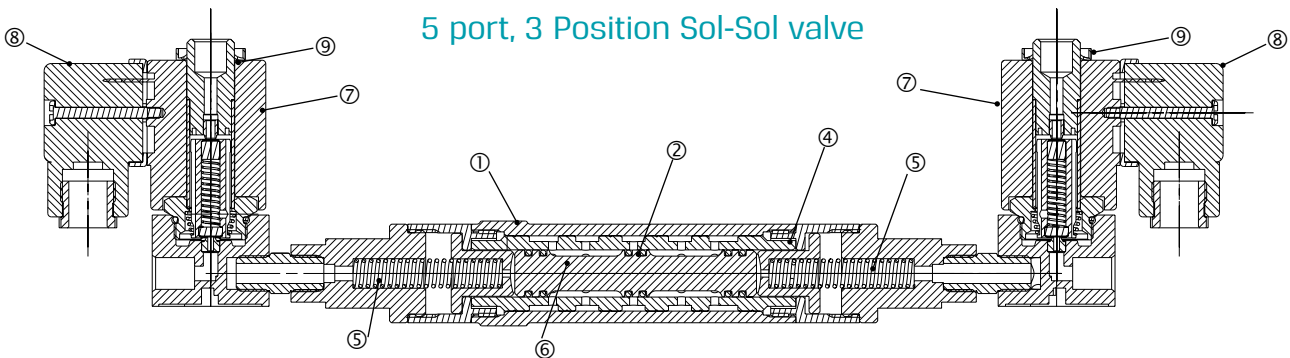
3 port Sol-Spring valve



5 port Sol-Sol valve



5 port, 3 Position Sol-Sol valve



Component Parts

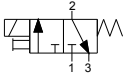
No.	Description	Material
1	Body	Brass *
2	"O" ring	NBR or FPM (Viton®)
3	End cover	Brass
4	Sleeve	Brass
5	Spring	-
6	Spool	Brass
7	Solenoid coil	
8	Connector	
9	Tightening	

* Painted with grey polyester

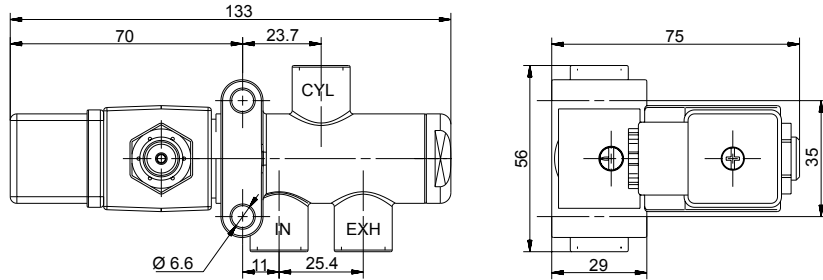
PNEUMATIC VALVES | Brass Heavy Duty

PE Valves | Solenoid Operated

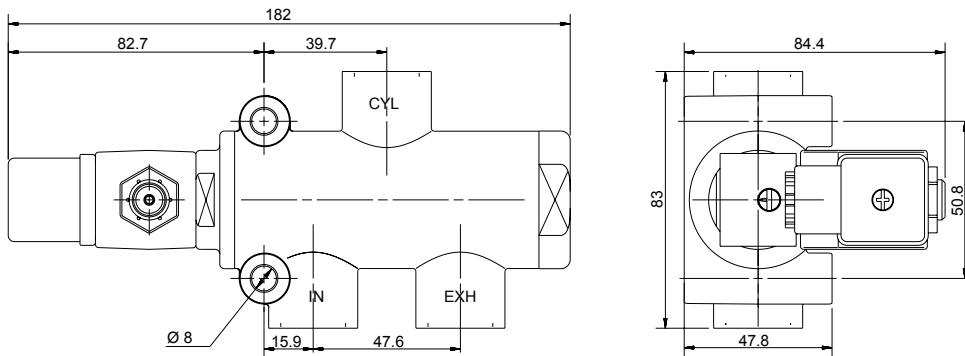
PES3-S | Sol-Spring | 1/4", 1/2" 3 port



Port size : 1/4"



Port size : 1/2"

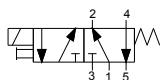


How to Order

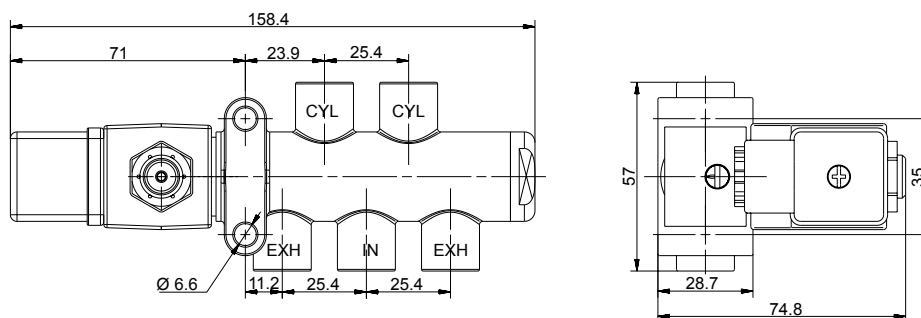
PES3	PORT SIZE	S	SEAL MATERIAL	EXTERNAL AIR SUPPLY (1)	MANUAL OVERRIDE	COIL VOLTAGE	POWER	CONNECTOR		
	1/4" BSP	0	NBR	N	without	1	None	0	without	0
	1/4" NPT	1	FPM (Viton®)	V	with	2	Plastic	1	standard	1
	1/2" BSP	2					Brass slot	2 ⁽²⁾	with LED	2
	1/2" NPT	3					non-locking	3 ⁽²⁾	with LED + surge protection	3
							locking	4 ⁽²⁾	with 1/2" hub	4
							St.st knob			
							St.st knob			
							without	0		
							6	1	AC	
							12	2	8W50Hz	
							24	3	AC	
							48	4	8W60Hz	
							110	5	DC10W	
							120	6		
							230	7		
							240	8		
							other	9		

(1) Only for BSP
(2) Special order

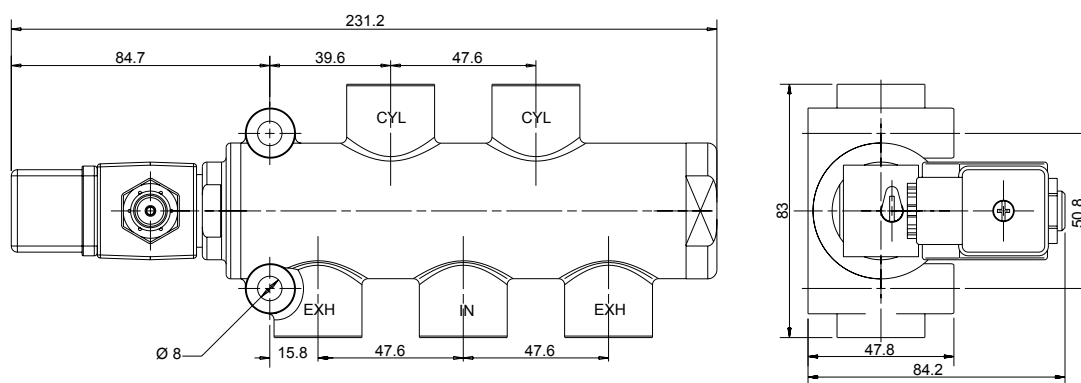
PES5-S | Sol-Spring | 1/4", 1/2" 5 port



Port size : 1/4"



Port size : 1/2"



How to Order

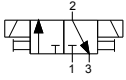
PES5	PORT SIZE	S	SEAL MATERIAL	EXTERNAL AIR SUPPLY (1)	MANUAL OVERRIDE	COIL VOLTAGE	POWER	CONNECTOR		
	1/4" BSP	0	NBR	N	without	1	None	0	without	0
	1/4" NPT	1	FPM (Viton®)	V	with	2	Plastic	1	standard	1
	1/2" BSP	2					Brass slot	2 ⁽²⁾	with LED	2
	1/2" NPT	3					non-locking	3 ⁽²⁾	with LED + surge protection	3
							locking	4 ⁽²⁾	with 1/2" hub	4
							St.st knob			
							St.st knob			
							without	0		
							6	1	AC	
							12	2	8W50Hz	
							24	3	AC	
							48	4	8W60Hz	
							110	5	DC10W	
							120	6		
							230	7		
							240	8		
							other	9		

(1) Only for BSP
(2) Special order

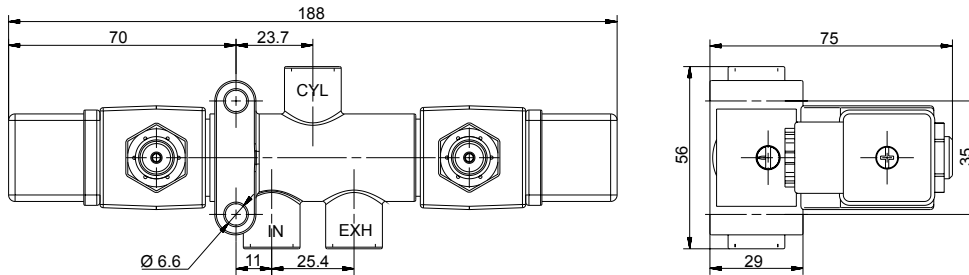
PNEUMATIC VALVES | Brass Heavy Duty

PE Valves | Solenoid Operated

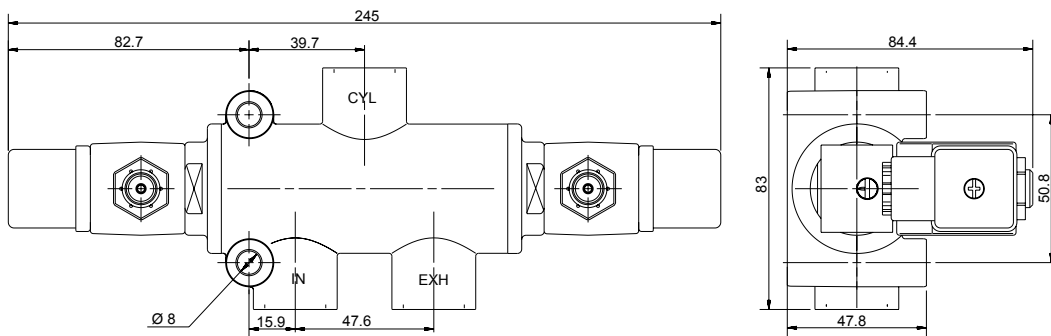
PES3-D | Sol-Sol | 1/4", 1/2" 3 port



Port size : 1/4"



Port size : 1/2"

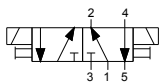


How to Order

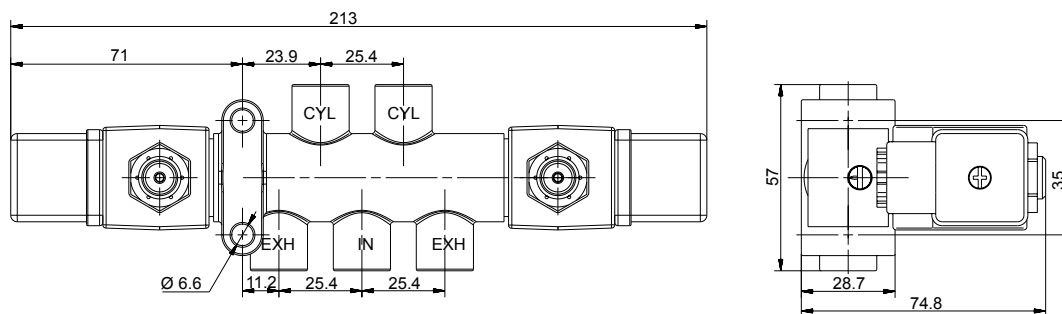
PES3	PORT SIZE	D	SEAL MATERIAL	EXTERNAL AIR SUPPLY (1)	MANUAL OVERRIDE	COIL VOLTAGE	POWER	CONNECTOR				
	1/4" BSP	0	NBR	N	without	1	None	0	without	0		
	1/4" NPT	1	FPM (Viton®)	V	with	2	Plastic	1	6	1	standard	1
	1/2" BSP	2					Brass slot	2 ⁽²⁾	12	2	with LED	2
	1/2" NPT	3					non-locking	3 ⁽²⁾	24	3	with LED + surge protection	3
							locking	4 ⁽²⁾	48	4		
							St.st knob	3 ⁽²⁾	110	5		
							St.st knob	4 ⁽²⁾	120	6	with 1/2" hub	4
									230	7		
									240	8		
									other	9		

(1) Only for BSP
(2) Special order

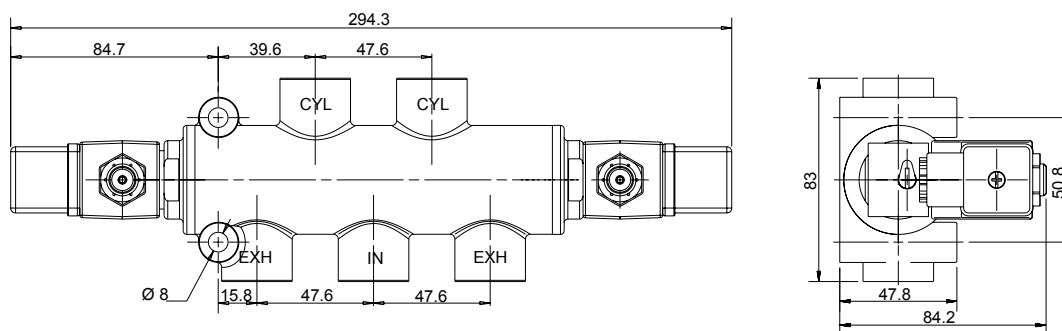
PES5-D | Sol-Sol | 1/4", 1/2" 5 port



Port size : 1/4"



Port size : 1/2"

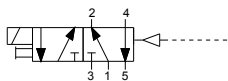


How to Order

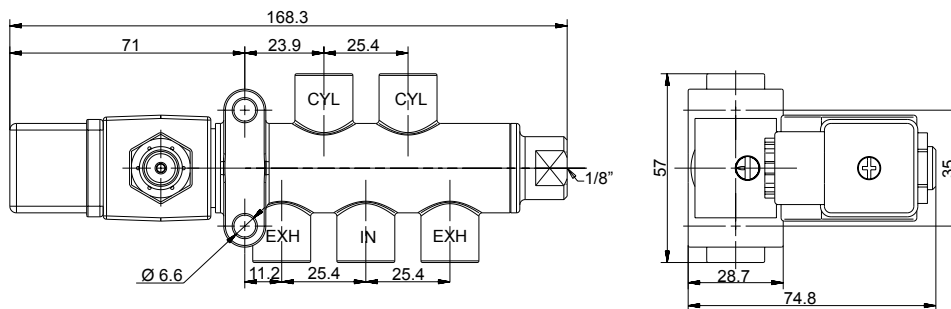
PES5	PORT SIZE	D	SEAL MATERIAL	EXTERNAL AIR SUPPLY ⁽¹⁾	MANUAL OVERRIDE	COIL VOLTAGE	POWER	CONNECTOR					
	1/4" BSP	0	NBR	N	without	1	None	0	without	0			
	1/4" NPT	1	FPM (Viton®)	V	with	2	Plastic	1	6	1	AC	standard	1
	1/2" BSP	2					Brass slot	2 ⁽²⁾	12	2	8W50Hz	with LED	2
	1/2" NPT	3					non-locking St.st knob	3 ⁽²⁾	24	3	AC	with LED + surge protection	3
							locking St.st knob	4 ⁽²⁾	48	4	8W60Hz		
									110	5	DC10W	with 1/2" hub	4
									120	6			
									230	7			
									240	8			
									other	9			

(1) Only for BSP
(2) Special order

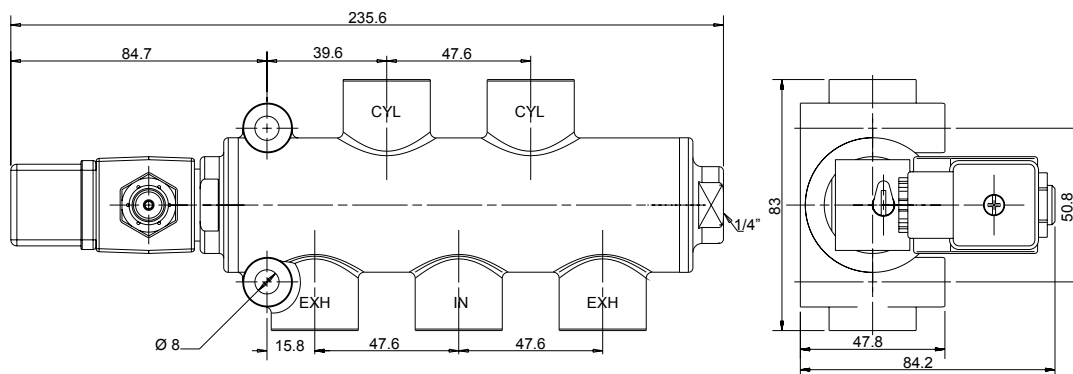
PES5-A | Sol-Air | 1/4", 1/2" 5 port



Port size : 1/4"



Port size : 1/2"



How to Order

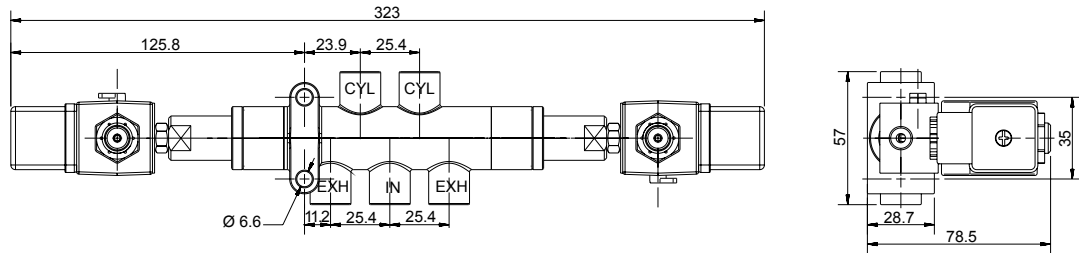
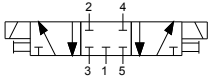
PES5	PORT SIZE	A	SEAL MATERIAL	EXTERNAL AIR SUPPLY (1)	MANUAL OVERRIDE	COIL VOLTAGE	POWER	CONNECTOR		
	1/4" BSP	0	NBR	N	without	1	None	0	without	0
	1/4" NPT	1	FPM (Viton®)	V	with	2	Plastic	1	standard	1
	1/2" BSP	2					Brass slot	2 ⁽²⁾	with LED	2
	1/2" NPT	3					non-locking	3 ⁽²⁾	with LED + surge protection	3
							locking	4 ⁽²⁾	with 1/2" hub	4
							St.st knob			
							other	9		

(1) Only for BSP
(2) Special order

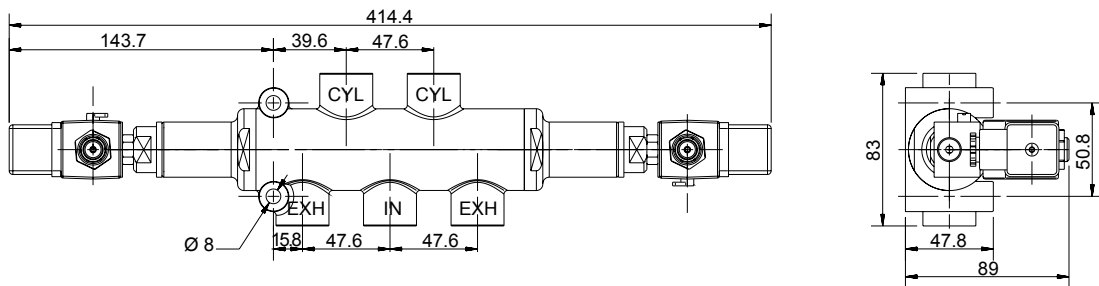
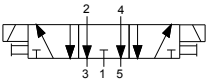
PNEUMATIC VALVES | Brass Heavy Duty

PE Valves | Solenoid Operated

PES5-P | 3 Position Closed Center | Sol-Sol | 1/4" 5 port



PES5-U | 3 Position Exhaust Center | Sol-Sol | 1/2" 5 port



PNEUMATIC VALVES

How to Order

PES5	PORT SIZE	FUNCTION	SEAL MATERIAL	EXTERNAL AIR SUPPLY ⁽¹⁾	MANUAL OVERRIDE	COIL VOLTAGE	POWER	CONNECTOR
	1/4" BSP	0	NBR	N	without	1	None	0
	1/4" BSP	1	FPM (Viton®)	V	with	2	Plastic	6
		2					Brass slot	12
		3					non-locking	24
		4					locking	48
							St.st knob	110
							locking	120
							St.st knob	230
								240
								other
								without
								standard
								with LED
								with LED + surge protection
								with 1/2" hub

(1) Only for BSP
(2) Special order