

# ELECTRIC & HYDRAULIC VALVES

## GEM-SOL® | S32 (GEM-S)

### Pilot Operated 3/4" - 2" 2 Way NC, NO

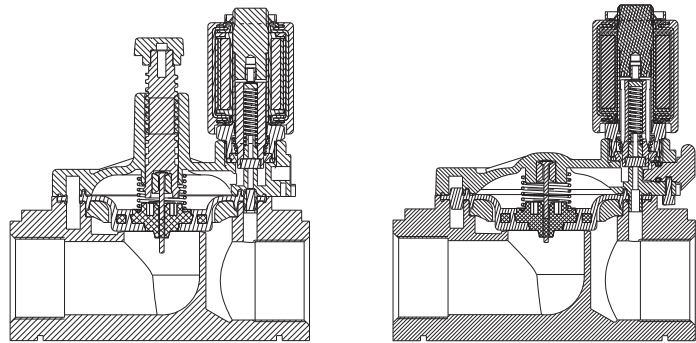
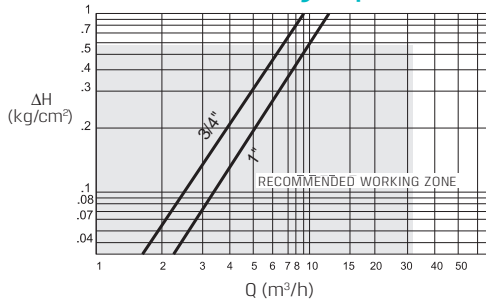
#### Technical Data

Function	2 Way NC, NO
Ports size	3/4", 1", 1-1/2", 2" BSPT & NPT
Connection	Female BSPT or NPT thread
Pressure range	0.3 to 10 bar
Temperature range	<b>Fluid:</b> 5°C to 50°C (no freezing) <b>Ambient:</b> -10°C to 50°C
Solenoid	GEM-SOL® 3/4" UNEF, 2 Way NC or NO solenoids. All voltages
Materials in contact with media	<b>Manual override:</b> Plastic (Reinforced Nylon) <b>Body &amp; cover:</b> Plastic (Reinforced Nylon) <b>Spring:</b> Stainless Steel AISI 302 <b>Diaphragm:</b> NR : 3/4", 1" EPDM : 1-1/2", 2" <b>Seals:</b> NBR <b>Screws:</b> Stainless Steel AISI 304 <b>Solenoid:</b> Stainless Steel AISI 300 & 400 series
Coil voltage	• Voltage and power consumption - see table • All Baccara coil voltages are ± 10% of nominal
Standard protection class	IP65 with connector * Option: IP68 (please refer to GEM-BP Coil)

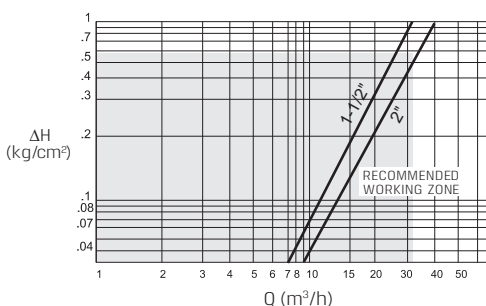
- Progressive opening and shut off that prevents water hammer



#### Head Loss for Fully Open Valve



#### Head Loss for Fully Open Valve

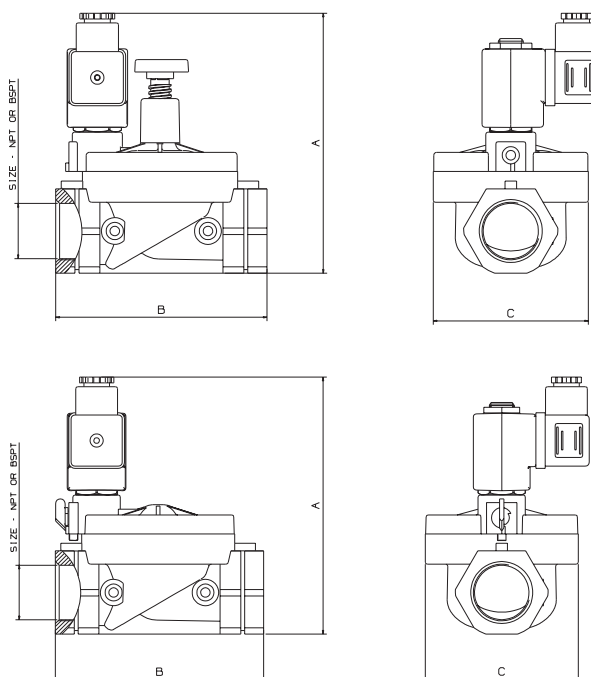


#### Flow Factor & Orifice

Size	Orifice (mm)	Kv (l/min)
3/4"	27	140
1"	27	200
1-1/2"	55	520
2"	55	600

# GEM-SOL® | S32 (GEM-S) | Pilot Operated 3/4" - 2" 2 Way NC, NO

## Dimensions



with flow control

Size	A	B	C
3/4"	108	110	81
1"	135.5	110	81
1-1/2"	180	160	126
2"	190	170	126

without flow control

Size	A	B	C
3/4"	128.5	110	81
1"	135.5	110	81
1-1/2"	168	160	126
2"	179.5	170	126

## How to Order

\* When ordering without coil, please define what current and pressure rating is needed (DC, AC)

GEM-S	BODY	PORT	FUNCTION	SEALS	MANUAL OVERRIDE	FLOW CONTROL	VOLTAGE	POWER	CONNECTOR									
Plastic	4	3/4" BSPT	50	2W NC	1	NR	N	None	0	with	1	without coil	0	No coil	0	with	1	
		3/4" NPT	51	2WNO	2a			Plastic	1	without <sup>(1)</sup>	2	6 <sup>(2)</sup>	1	AC8W 50Hz	1	with LED	2	
		1" BSPT	60									12	2	AC8W 60Hz	2	<b>flying leads coil *</b>	<b>4</b>	
		1" NPT	61									24	3	DC10W	3	with 1/2" Hub	5	
		1-1/2"BSPT	70									48	4	AC5.5W 50Hz	4	<b>surge protection with LED *</b>	<b>6</b>	
		1-1/2"NPT	71									110	5	AC5.5W 60Hz	5	connector with moulded cable	7	
		2" BSPT	80									120	6			other	9	
		2" NPT	81									220	7A					
											230	7						
											240	8						
																	<b>Latch/ other* <sup>(3)</sup></b>	<b>9</b>

\* SPECIAL OPTIONS | Extended lead times, Non-stock items, MOQ may be applicable

### Example: GEM-S-4501N11-331

GEM-SOL® S32 (GEM-S) pilot operated, Plastic, 3/4" BSPT, 2W NC, NR, plastic manual override, with flow control, 24V DC 10W with connector

(1) 3/4", 1" valves only

(2) DC only

(3) For specifying Latch type coil, please refer to A3P32 (GEM-A3P) valve - How to Order table

\* To order valves manufactured according to your specific requirements, please contact our technical sales department