

ELECTRIC & HYDRAULIC VALVES

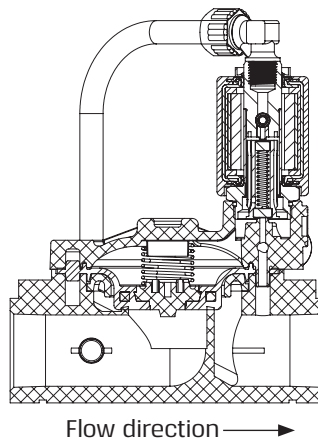
GEM-SOL® | S32 (GEM-S-4)

Upstream Pilot Control Integrated with GEM-SOL® Operator 3/4" - 2" 2 Way NC

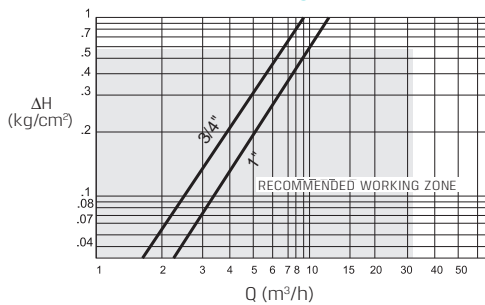
Technical Data

Function	2 Way NC
Ports size	3/4", 1", 1-1/2", 2" BSPT & NPT
Connection	Female BSPT or NPT thread
Pressure range	0.3 to 10 bar
Temperature range	Fluid: 5°C to 50°C (no freezing) Ambient: -10°C to 50°C
Solenoid	GEM-SOL® (GEM-OG)
Materials in contact with media	Manual override: Plastic (Reinforced Nylon) Body & cover: Plastic (Reinforced Nylon) Spring: Stainless Steel AISI 302 Diaphragm: NR : 3/4", 1" EPDM : 1-1/2", 2" Seals: NBR Screws: Stainless Steel AISI 304 Solenoid: Stainless Steel AISI 300 & 400 series
Coil voltage	• Voltage and power consumption - see table • All Baccara coil voltages are ± 10% of nominal
Standard protection class	IP65 with connector * Option: IP68 (please refer to GEM-BP Coil)

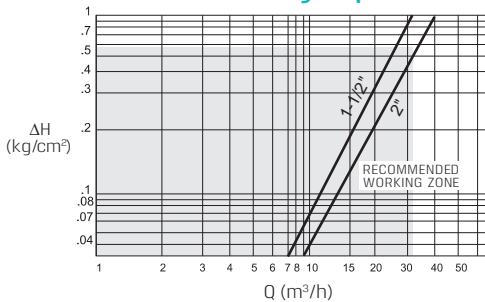
- Progressive opening and shut off that prevents water hammer



Head Loss for Fully Open Valve



Head Loss for Fully Open Valve



Flow Factor & Orifice

Size	Orifice (mm)	Kv (l/min)
3/4"	27	140
1"	27	200
1-1/2"	55	520
2"	55	600

