

# ELECTRIC & HYDRAULIC VALVES

## GEM-SOL® | S32 (GEM-S)

1/4" - 1" 2 Way NC, NO



Brass | 1/4" | NC



Stainless Steel | 3/4" | NC

### Technical Data

Function	2 Way NC, NO
Ports size	1/4", 3/8", 1/2", 3/4", 1" BSP & NPT
Pressure range	See table * Minimum pressure differential of 0.3 or 0.5 is required
Kv (l/min)	See table
Temperature range	<b>Fluid:</b> -10°C to 80°C (no freezing) <b>Ambient:</b> -10°C to 50°C
Materials in contact with media	<b>Manual override:</b> NC - Brass screw NOa* - Manual override unavailable * pressure is supplied through base <b>Main Valve:</b> Brass, Stainless Steel AISI 316 <b>Solenoid Operator:</b> Stainless Steel AISI 300 & 400 series <b>Seals:</b> NBR, FKM, EPDM
Coil voltage	• Voltage and power consumption - see table • All Baccara coil voltages are ± 10% of nominal
Standard protection class	IP65 with connector * Option: IP68 (please refer to GEM-BP Coil)

- Slow closing system to prevent water hammer effect

### Voltage & Power Consumption

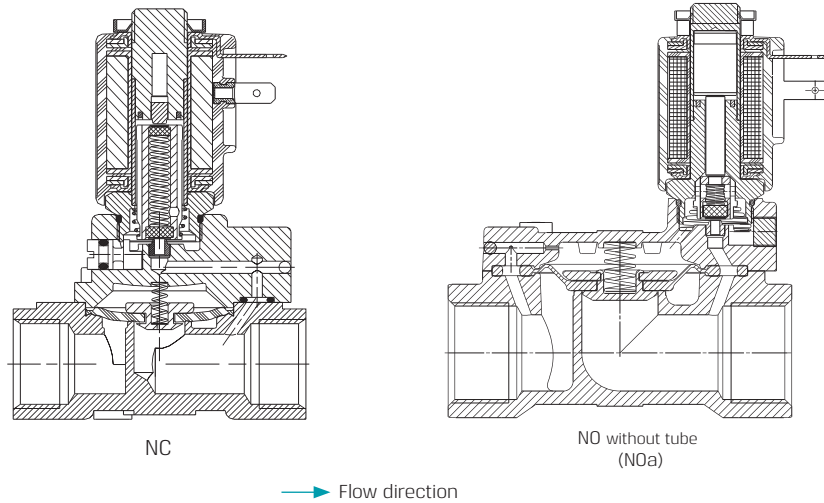
V	AC (W)						DC (W)		
	50 Hz			60 Hz			10	5.5	3.5
6							•		
12	•			•			•		
24	•	•*		•			•		
48	•			•			•		
110	•			•			•		
120	•			•	•*				
220	•	•*		•			•		
230	•			•	•*				
240	•			•			•		

- Available options

\* Only for NC

# GEM-SOL® | S32 (GEM-S) | 1/4" - 1" 2 Way NC, NO

## Dimensions



## Pressure (bar) & Flow NO/NC GEM-S-□-20...41

Size	Orifice (mm)	Pressure (bar)		Kv (l/min)
		AC, DC	ADC	
1/4"	8	0.5 to 20	0.5 to 15	12
3/8"	8			16
1/2"	12			35

## Pressure (bar) & Flow NO/NC GEM-S-□-□r

Size	Orifice (mm)	Pressure (bar)		Kv (l/min)
		AC, DC	ADC	
1/2"	16	0.5 to 20	0.5 to 15	60

## Pressure (bar) & Flow NO/NC GEM-S-□-50...60

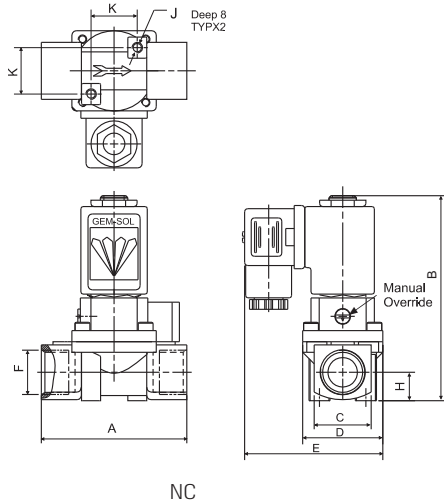
Size	Orifice (mm)	Pressure range (bar) AC, DC & ADC	Kv (l/min)
1"	25	0.5 to 15	200

# ELECTRIC & HYDRAULIC VALVES

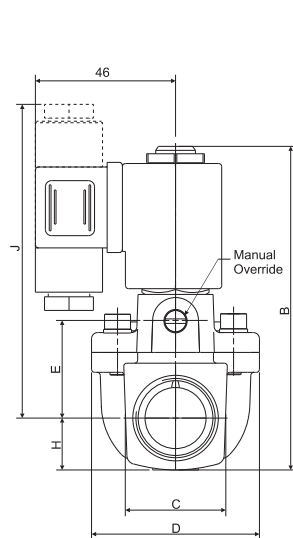
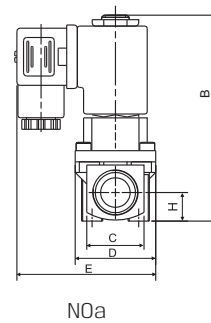
## GEM-SOL® | S32 (GEM-S)

1/4" - 1" 2 Way NC, NO

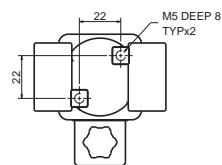
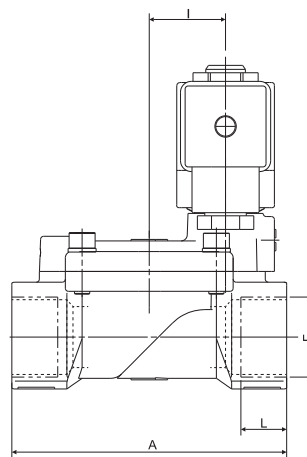
### Dimensions



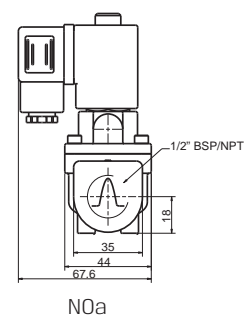
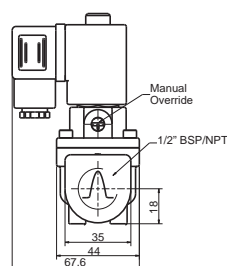
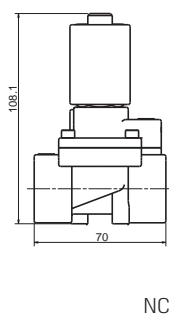
Size	A	B	C	D	E	F	H	J	K	Weight with coil
1/4"-3/8"	58	89	22	32	62	1/4"-3/8" BSP/NPT	11	M5x0.8	22	466gr
1/2"	70	95	27	38	70	1/2" BSP/NPT	13.5	M5x0.8	22	562gr



Size	A	B	C	D	E	H	L	I	J
3/4" BSP/NPT	90	106	32	55	32	17	15	25	103
1" BSP/NPT	100	112.5	38.5	65	34	21	16	29.5	109.50



GEM-S-4□r (16 mm orifice)



## GEM-SOL® | S32 (GEM-S) | 1/4" - 1" 2 Way NC, NO

### How to Order

GEM-S	BODY	PORT	FUNCTION	SEALS	MANUAL OVERRIDE	VOLTAGE	POWER	CONNECTOR						
Stainless Steel	2	1/4" BSP	2W NC	1	NBR N	None * 0	without coil	0	No coil	0	with	1		
	3	1/4" NPT	2W NO <sup>(1)</sup> through base	2a	FKM * <sup>(2)</sup>	V	Slot	2	6 <sup>(3)</sup>	1	AC8W 50Hz	1	with LED	2
		3/8" BSP			EPDM	E	Knob * 3	12	2	AC8W 60Hz	2	with 1/2" Hub	5	
		3/8" NPT						24	3	DC10W	3	with 1/2" Hub	5	
		1/2" BSP						48	4	AC5.5W 50 Hz <sup>(5)</sup>	4	surge protection with LED*	6	
		1/2" NPT						110	5	AC5.5W 60 Hz <sup>(5)</sup>	5	connector with moulded cable	7	
		3/4" BSP						120	6			other	9	
		3/4" NPT						220	7A					
		1" BSP						230	7					
		1" NPT						240	8					
												Latch/other* <sup>(4)</sup>	9	

\* SPECIAL OPTIONS | Extended lead times, Non-stock items, MOQ may be applicable

#### Example: GEM-S-2201N2-321

GEM-SOL® S32 (GEM-S) pilot operated, Brass, 1/4"BSP, 2W NC, NBR seals, slot manual override, 24V AC8W 60Hz with connector

(1) Manual Override unavailable

(2) For 3/4" and 1"

(3) DC only

(4) For specifying Latch type coil, please refer to A3P32 (GEM-A3P) valve - How to order table

(5) Only for NC

\* Note: When ordering without coil, please define what current and pressure rating is needed (DC, AC or ADC), otherwise an ADC valve will be supplied

### How to Order

GEM-S	BODY	PORT	FUNCTION	SEALS	MANUAL OVERRIDE	VOLTAGE	POWER	CONNECTOR					
Brass	2	1/2" BSP *	2W NC	1	NBR N	None * 0	without coil	0	No coil	0	with	1	
	41r	1/2" NPT *	2W NO <sup>(1)</sup> through base	2a	FKM V	Slot	2	6 <sup>(2)</sup>	1	AC8W 50Hz	1	with LED	2
					EPDM	E	Knob * 3	12	2	AC8W 60Hz	2	with 1/2" Hub	5
								24	3	DC10W	3	with 1/2" Hub	5
								48	4	AC5.5W 50 Hz <sup>(4)</sup>	4	surge protection with LED*	6
								110	5	AC5.5W 60 Hz <sup>(4)</sup>	5	connector with moulded cable	7
								120	6			other	9
								220	7A				
								230	7				
								240	8				
												Latch/other* <sup>(3)</sup>	9

\* SPECIAL OPTIONS | Extended lead times, Non-stock items, MOQ may be applicable

#### Example: GEM-S-240r1N2-321 (16mm orifice size)

GEM-SOL® S32 (GEM-S) pilot operated, brass, 1/2"BSP, 2W NC, NBR seals, slot manual override, 24V AC8W 60Hz with connector

(1) Manual Override unavailable

(2) DC only

(3) For specifying Latch type coil, please refer to A3P32 (GEM-A3P) valve - How to Order table

(4) Only for NC

\* Note: When ordering without coil, please define what current and pressure rating is needed (DC, AC or ADC), otherwise an ADC valve will be supplied

\* To order valves manufactured according to your specific requirements, please contact our technical sales department