

SOLENOID VALVES | GEM-SOL® | Special Purpose Pinch Valves

GEM-SOL® | P32 (GEM-P)

Special

Pinch Valve 3 Way

Technical Data

Function	3 Way
Tubes	Silicone tubes : 6x4mm
Pressure range	0-1 bar
Temperature range	Fluid : -10°C to 80°C (no freezing) Ambient : -10°C to 50°C
Materials	Valve: Aluminium Solenoid Operator: Stainless Steel AISI 300 & 400 series
Materials in contact with media	None * fluid flows through silicone tube
Applications	Where corrosive or contaminated fluid must be controlled, such as in : • Laboratories • Industrial and irrigation control • Analysis devices
Coil voltage	• Voltage and power consumption - see table • All Baccara coil voltages are $\pm 10\%$ of nominal • DC 14W - max 70% duty cycle • Ton = 7 [min] max
Standard protection class	IP65 with connector * Option : IP68 (please refer to GEM-BP Coil)

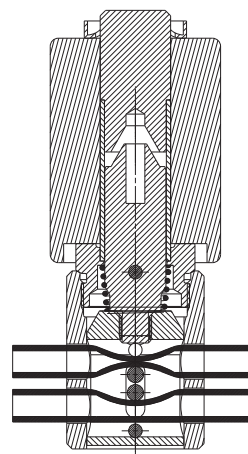
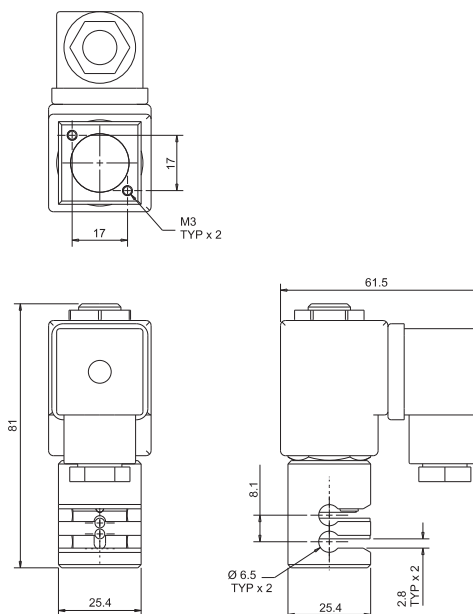
• For AC, use rectifier connector.

Voltage & Power Consumption

V	DC (W)			
	14	10	5.5	3.5
6				
12				
24	•			
48				
110				
120				
220				
230				
240				

• Available options

Dimensions



* To order valves manufactured according to your specific requirements, please contact our technical sales department.