

SOLENOID VALVES | GEM-SOL® | Special Purpose

Pinch Valves

GEM-SOL® | P32 (GEM-P)

Pinch Valve 2 Way NC

Technical Data

Function	2 Way NC
Tubes	Silicone tubes : 6x4mm, 8x5mm, 9.5x6.5mm
Pressure range	0-1 bar
Temperature range	Fluid : -10°C to 80°C (no freezing) Ambient : -10°C to 50°C
Materials	Valve: Aluminium Solenoid Operator: Stainless Steel AISI 300 & 400 series
Materials in contact with media	None * fluid flows through silicone tube
Applications	Where corrosive or contaminated fluid must be controlled, such as in : • Laboratories • Industrial and irrigation control • Analysis devices
Coil voltage	• Voltage and power consumption - see table • All Baccara coil voltages are ± 10% of nominal • DC10W • DC 14W - max 70% duty cycle • Ton = 7 [min] max
Standard protection class	IP65 with connector * Option : IP68 (please refer to GEM-BP Coil)

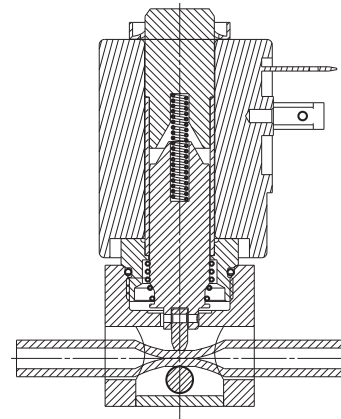
- For AC, use rectifier connector.



Voltage & Power Consumption

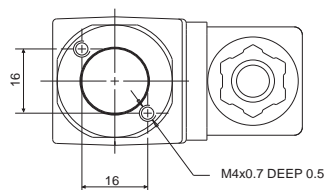
V	DC (W)			
	14	10	5.5	3.5
6		•		
12		•		
24	•	•		
48		•		
110		•		
120				
220		•		
230				
240		•		

- Available options

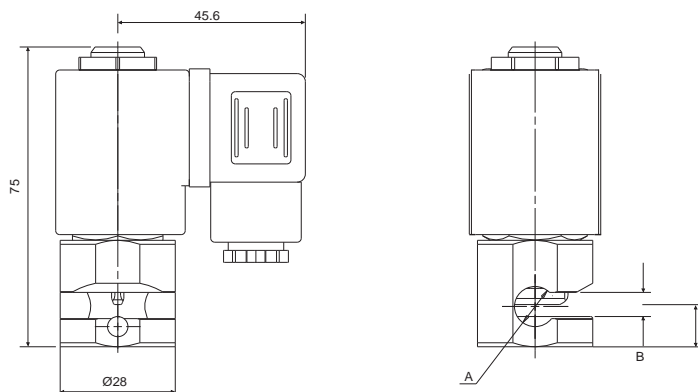


GEM-SOL® | P32 (GEM-P) | Pinch Valve 2 Way NC

Dimensions



	A	B	C
GEM-P - 1□	6.5	5	10
GEM-P - 2...3□	9.5	6.5	10



How to Order

GEM-P	TUBE	FUNCTION	VOLTAGE	POWER ⁽²⁾	CONNECTOR
	Ø 6x4	1 2W NC 1	6	1 DC 10W	3 with 1
	Ø 8x5 *	2	12	2 DC 14W ⁽³⁾	8 with LED 2
	Ø 9.5x6.5	3	24	3	flying leads coil * 4
			48	4	with 1/2" Hub 5
			110	5	surge protection with LED * 6
			220	7A	connector with moulded cable 7
			240	8	other 9
			Latch * ⁽¹⁾	9	

* **SPECIAL OPTIONS** | Extended lead times, Non-stock items, MOQ may be applicable

Example : GEM-P-11-331

GEM-SOL® P32 (GEM-P) Pinch Valve, Ø 6x4 tube, 2W NC, 24VDC 10W with connector

(1) For specifying Latch type coil, please refer to A3P32 (GEM-A3P)valve - How to Order table

(2)

GEM-P - 1 □	10W
GEM-P - 2...3 □	14W

* Coil is wider for 8x5mm and 9.5x6.5mm

(3) DC 14W - Max 70% duty cycle

* To order valves manufactured according to your specific requirements, please contact our technical sales department.