

GEM-SOL® | LD032 (GEM-LDO)

Long distance operator 2 Way, 3 Way NC, NO

A small section conductor can be used at a distance of up to 5 kms

Technical Data

Function	2 Way, 3 Way NC, NO
Current	Holding 4mA
Pressure range	Refer to working pressure definitions of the valve that the GEM-LDO is assembled on, with DC10W / AC8W
Power	<ul style="list-style-type: none"> DC12V (0.05W) up to DC24V (0.1W) 24V AC: 0.3W
Connection	Red/Black - power supply Green/Black - coil Lead wire length - 28cm PVC coated AWG 18 UL 1007
Ambient temp	-10°C to 70°C
Operation	Only with GEM-BL-LDO coil and Baccara valve
Applications	<ul style="list-style-type: none"> Cost saving wiring for remote solenoid operation Power saving and heat prevention on continuous energized solenoid
Voltage	Voltage and power consumption - see table
Standard protection class	IP67 : LD032 (GEM-LDO) only

* For recommended wire parameters, please refer to Long distance operators charts



LDO unit



Assembled with S32 (GEM-S) solenoid



Assembled with A32 (GEM-A) solenoid

Voltage	Distance (km)	Conduit section (mm ²)	Delay Time (sec)	
			On	Off
12/24	5	0.5	3	1

* Max conduit resistance 390Ω at nominal voltage

Voltage & Power Consumption

	AC (W)		DC(W)	
	50 Hz	60 Hz	0.05	0.1
V	0.3	0.3	•	•
12			•	
24	•	•		•

• Available options

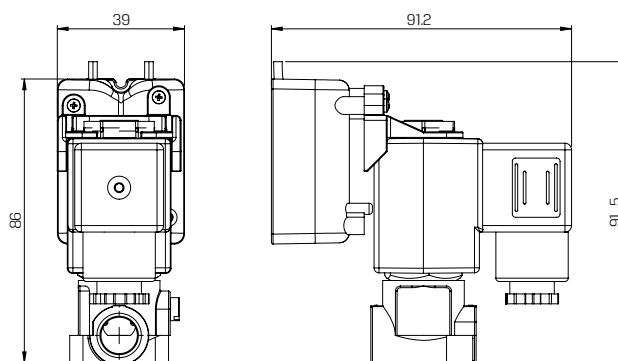
How to Order

GEM-LDO	-	VOLTAGE	-	Please refer to the "How to Order" definitions of the assembled GEM-SOL® valve
		24VAC & 12-24VDC	9	

Example : GEM-LDO-9-GEM-A-21035NO

GEM-SOL® LD032 (GEM-LDO), No label, is attached to a GEM-SOL® latch coil, Brass, 1/8"BSP, 3W NC, 2.4 orifice, NBR, no manual override

Dimensions



* To order operators manufactured according to your specific requirements, please contact our technical sales department.