

SOLENOID VALVES | GEM-SOL® | Special Purpose Sub-base

GEM-SOL® | H32 (GEM-H)

Type HF (CNOMO) 3 Way NC, NO

Technical Data

Function	3 Way NC, NO
Ports size	Ø 2.7mm holes
Orifice size	See table
Pressure range	See table • Higher pressures are available
Kv (l/min)	See table
Temperature range	Fluid : -10°C to 80°C (no freezing) Ambient : -10°C to 50°C
Materials in contact with media	Main Valve: Aluminium Solenoid Operator: Stainless Steel AISI 300 & 400 series Seals: NBR, FKM, EPDM
Media	Air, water, oil
Coil voltage	• Voltage and power consumption - see table • All Baccara coil voltages are ± 10% of nominal
Standard protection class	IP65 with connector * Option : IP68 (please refer to GEM-BP Coil)



Max. Pressure (bar) 3 Way NC

Coil Current/Power	Orifice (mm)					
	0.8	1.2	1.6	2.0	2.4	3.0
ADC *	23	20	15	10	8	5.5
AC8W, DC10W	35	30	17	14	10	6
AC5.5W	23	20	15	10	8	5.5
AC2.5W, DC5.5W, DC3.5W	20	16	10	9	5	4
Flow factor Kv(l/min)	0.6	1.1	1.7	2.5	3.5	4.5

Max. Pressure (bar) 3 Way NO

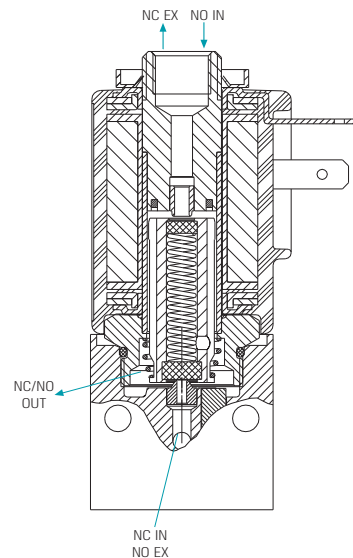
Coil Current/Power	Orifice (mm)					
	0.8	1.2	1.6	2.0	2.4	3.0
ADC *	25	20	15	11	8	6
AC8W, DC10W	30	22	17	12	10	7
AC5.5W, DC5.5W	25	20	15	11	8	6
AC2.5W, DC3.5W	20	18	12	8	6	4
Flow factor Kv(l/min)	0.6	1.1	1.4	2.2	3.0	3.5

* ADC valves are only suitable for use with AC8W or DC10W coils.

Voltage & Power Consumption: NC & NO valves

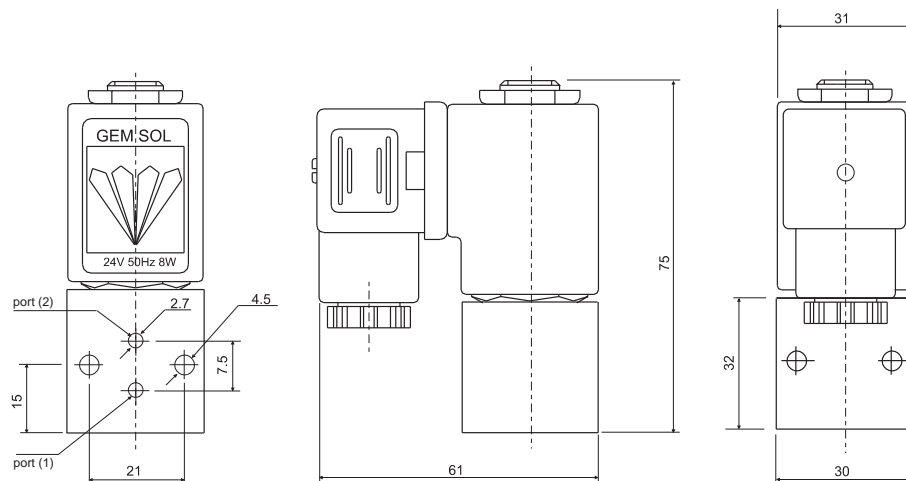
V	AC (W)						DC (W)		
	50 Hz			60 Hz			10	5.5	3.5
6							•	•	•
12	•			•			•	•	•
24	•	•	•	•	•	•	•	•	•
48	•			•			•		
110	•			•	•		•		
120	•			•	•				
220	•	•	•	•			•		
230	•	•		•	•				
240	•			•			•		

• Available options



GEM-SOL® | H32 (GEM-H) | Type HF (CNOMO) 3 Way NC, NO

Dimensions



How to Order

GEM-H	BODY		FUNCTION		ORIFICE		SEALS		VOLTAGE		POWER		CONNECTOR	
	Aluminium	1	3W NC	3	0.8	1	NBR	N	without coil	0	No coil	0	with	1
			3W NO	4	1.2	2	FKM	V	6	1	AC8W 50Hz	1	with LED	2
					1.6	3	EPDM	E	12	2	AC8W 60Hz	2	flying leads coil *	4
					2.0	4			24	3	DC 10W	3	with 1/2" Hub	5
					2.4	5			48	4	AC 5.5W 50Hz	4	surge protection with LED *	6
					3.0	6			110	5	AC 5.5W 60Hz	5	connector with moulded cable	7
									120	6	AC 2.5W 50/60Hz	6	other	9
									220	7A	DC 5.5W	7		
									230	7	DC 3.5W	8		
									240	8				
									Latch/other * (1)	9				

* **SPECIAL OPTIONS** | Extended lead times, Non-stock items, MOQ may be applicable

Example : GEM-H-135N-311

GEM-SOL® H32 (GEM-H) Type HF (CNOMO), Aluminium, 3W NC, 2.4 orifice, NBR, 24V AC8W 50Hz with connector

(1) For specifying Latch type coil, please refer to A3P32 (GEM-A3P)valve - How to Order table.

* Note: When ordering without coil, please define what current and pressure rating is needed (DC, AC or ADC), otherwise an ADC valve will be supplied.

* To order valves manufactured according to your specific requirements, please contact our technical sales department.