

Process Valves

Globe | Manifold

GC-SM

Special

Stackable manifold 1/4", 1/2" | 2 Way NC, NO

Technical Data

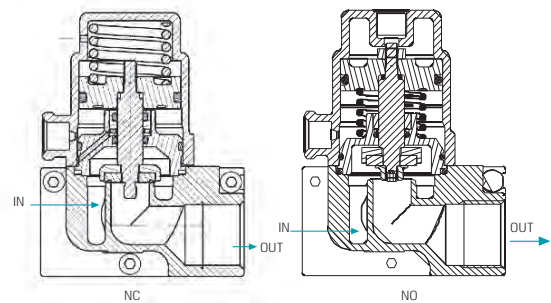
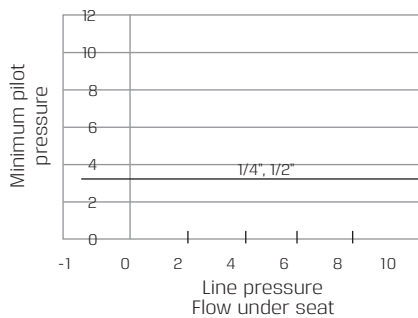
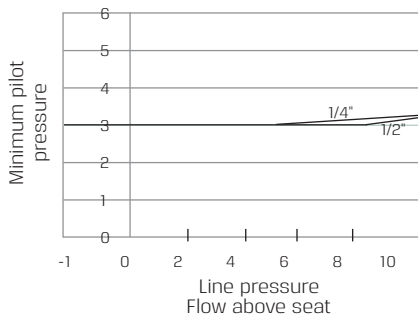
Function	2 Way NC, NO
Ports size	1/4", 1/2" BSP & NPT
Pressure range	See table
Temperature range	Fluid : -5°C to 60°C (no freezing) Ambient : -10°C to 50°C
Materials in contact with media	Main Valve: Brass or Stainless Steel AISI 316 Seals: NBR, FKM, EPDM



4 stations | Stainless Steel

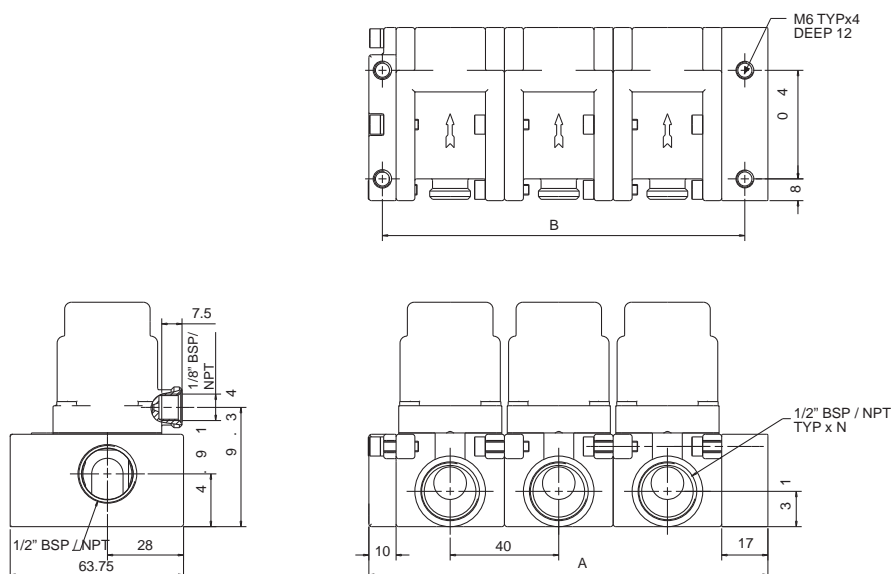
Pressure (bar) & Flow

Size	Orifice (mm)	Line Pressure
1/4"	8	Vacuum - 10 bar
1/2"	12	Vacuum - 10 bar



GC-SM | Stackable manifold 1/4", 1/2" | 2 Way NC, NO

Dimensions



A	B
27+40xN	13.5+40xN

N = number of stations

How to Order

GC-SM	No. of STATIONS	BODY	PORT	FUNCTION	SEALS			
specify quantity	Brass	2	1/4" BSP ⁽¹⁾	20	2W NC	1	NBR	N
	Stainless Steel	3	1/4" NPT ⁽¹⁾	21	2W NC bidirectional	1a	FKM	V
			1/2" BSP	40	2W NO	2	EPDM	E
			1/2" NPT	41				

Example : GC-SM-02240-1N

GC-SM Globe Manifold, 2 station, Brass, 1/2" BSP, 2W NC, NBR seals

(1) Only available in Brass

* To order manifolds manufactured according to your specific requirements, please contact our technical sales department.