

Process Valves

Globe | Plastic

GC

Special

3/4"-2" | 2 Way NC

Technical Data

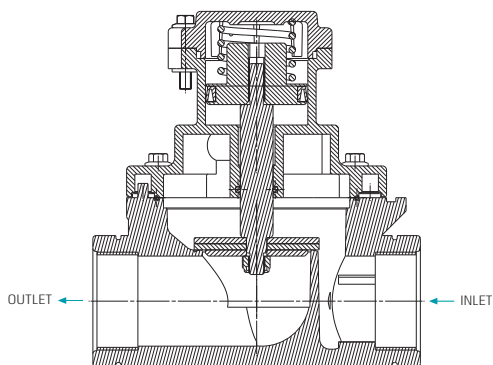
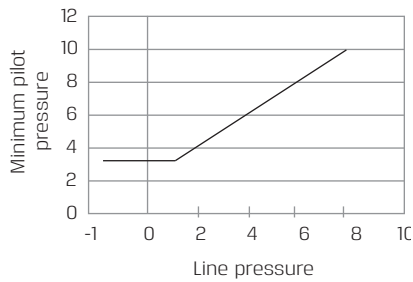
Function	2 Way NC
Ports size	3/4", 1", 1-1/2", 2" BSP & NPT
Pressure range	See table
Temperature range	Fluid : -5°C to 60°C (no freezing) Ambient : -10°C to 50°C
Materials in contact with media	Main Valve: Plastic (Reinforced Nylon 6) Diaphragm: NBR, FKM, EPDM, Polyurethane



2" | 2 Way NC

Pressure (bar) & Flow

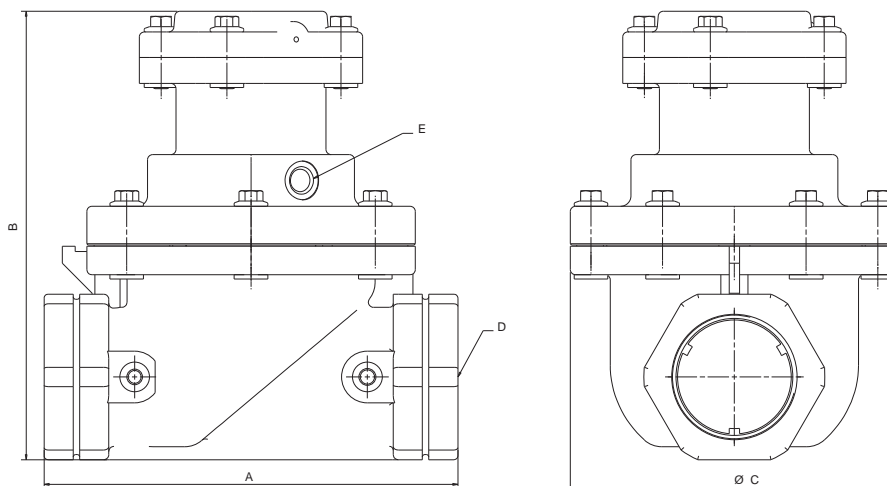
Size	Orifice (mm)	Line Pressure
3/4", 1"	27	Vacuum - 10 bar
1-1/2", 2"	55	Vacuum - 10 bar



GC | 3/4"-2" | 2 Way NC

Dimensions

Size	A	B	C	D	E
3/4"	110	108	81	3/4"	1/8"BSP/NPT
1"	110	108	81	1"	1/8"BSP/NPT
1-1/2"	160	174	127	1-1/2"	1/8"BSP/NPT
2"	170	185	127	2"	1/8"BSP/NPT



How to Order

GC	BODY	TYPE	PORT	FUNCTION	SEALS				
Plastic	4	Globe	1	3/4" BSP	50	2W NC	1	NBR	N
				3/4" NPT	51			FKM	V
				1" BSP	60			EPDM	E
				1" NPT	61			Polyurethane	P
				1-1/2" BSP	70				
				1-1/2" NPT	71				
				2" BSP	80				
				2" NPT	81				

Example : GC-4160-1N

GC Plastic, Globe, 1" BSP, 2W NC, NBR seals

* To order valves manufactured according to your specific requirements, please contact our technical sales department.