

Process Valves

Globe | Metal

GC

Special

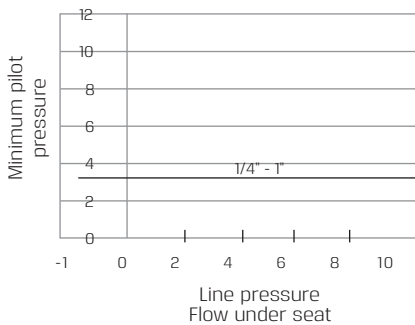
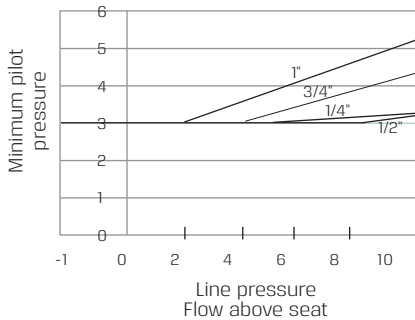
1/4"-1" | 2 Way NC

Technical Data

Function	2 Way NC
Ports size	1/4", 3/8", 1/2", 3/4", 1" BSP & NPT
Pressure range	See table
Temperature range	Fluid : -5°C to 60°C (no freezing) Ambient : -10°C to 50°C
Materials in contact with media	Main Valve: Brass or Stainless Steel AISI 316 Seals: NBR/PU, FKM, EPDM and PTFE

Pressure (bar) & Flow

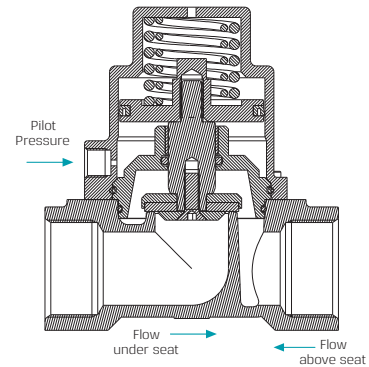
Size	Orifice (mm)	Line Pressure
1/4"	8	Vacuum - 10 bar
3/8", 1/2"	12	Vacuum - 10 bar
3/4"	20	Vacuum - 10 bar
1"	25	Vacuum - 10 bar



Plastic cover



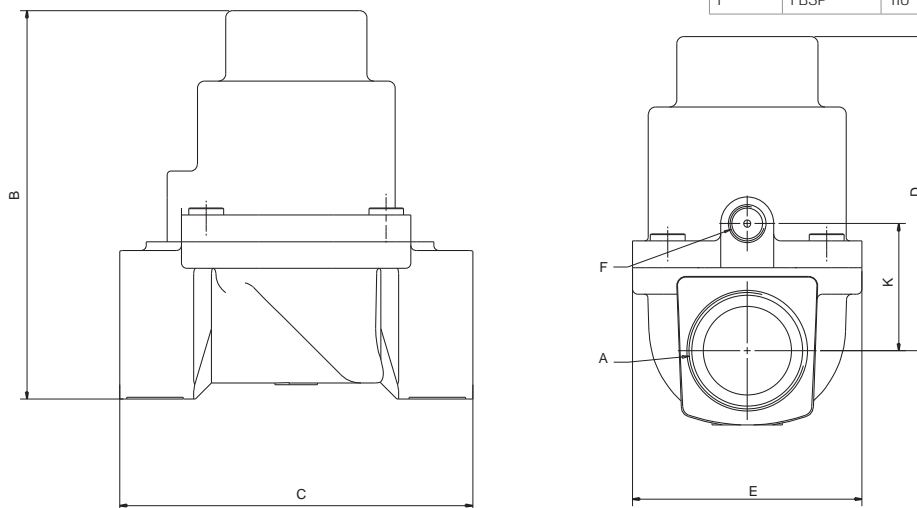
Brass cover



GC | 1/4"-1" | 2 Way NC

Dimensions

Size	A	B	C	D	E	K	F
1/4"	1/4"BSP	62	58	50	32	23	1/8"BSP
3/8",1/2"	3/8",1/2"BSP	78	69	65	38	27	1/8"BSP
3/4"	3/4"BSP	86	89	69	55	34	1/8"BSP
1"	1"BSP	110	100	89	65	36	1/8"BSP



How to Order

GC	BODY	TYPE	PORT	FUNCTION	SEALS
-	Brass 2	Globe 1	1/4" BSP 20	2W NC 1	NBR/PU N
			1/4" NPT 21	2W NC bidirectional 1a	FKM V
	3/8" BSP 30			EPDM E	
	3/8" NPT 31			PTFE T	
	1/2" BSP 40				
	1/2" NPT 41				
	3/4" BSP 50				
	3/4" NPT 51				
	1" BSP 60				
	1" NPT 61				

Example : GC-2160-1E

GC Brass, Globe 1" BSP, 2W NC, EPDM seals

* To order valves manufactured according to your specific requirements, please contact our technical sales department.