

COILS & OPERATORS

Operators

GEM-SOL® | G80-OL

Latch Operator 2 Way, 3 Way NC, NO

Applicable for GEM-SOL® A22 (G80-A) & M22 (G80-M)* valves

* O-ring operator type

Technical Data

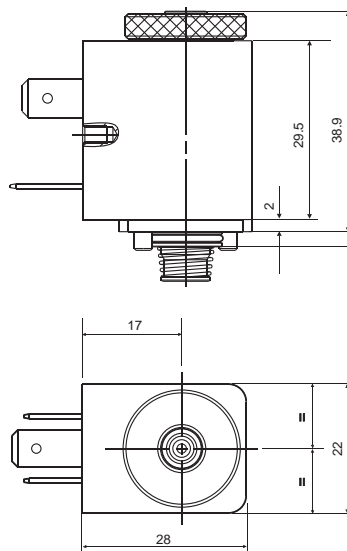
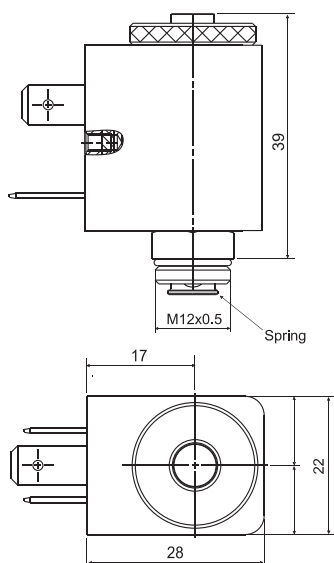
Function	2 Way, 3 Way NC, NO
Orifice size	1, 1.2, 1.6mm
Pressure range (bars)	See solenoid valve performances
Temperature range	Fluid : -10°C to 80°C (no freezing) Ambient : -10°C to 50°C
Response time	5 to 12 ms
Materials in contact with media	Operator: Brass or Stainless Steel AISI 300 & 400 series Orifice: Stainless Steel Spring: Stainless Steel AISI 300 series
Media	Air, inert gases, water*
Threads on operator tube	M8x0.75 male and M5 or #10UNF female to connect exhaust, muffler etc.
Operator assembly	Insert operator into cavity, tighten it by the flange and the two M3 screws. Fix the coil with one M8 nut. Max. tightening torque : 2 N/m
Coil fixing	On a G80 operator with M8x0.75 nut
Coil data	See technical G80 coil data
Coil voltage	<ul style="list-style-type: none">• Voltage and power consumption - see table• All Baccara coil voltages are ±10% of nominal
Operation	<ul style="list-style-type: none">• Compatible with all G80 valves at 12 and 24V DC. Use "L" as the power indicator



* For other fluids and for use in abnormal conditions, please contact our technical sales department.

GEM-SOL® | G80-OL | Latch Operator 2 Way, 3 Way NC, NO

Dimensions



How to Order

* When ordering without coil, please define what current and pressure rating is needed (DC, AC)

G80-OL	-											-					
	TYPE	PORT		TUBE		FUNCTION		ORIFICE		SEALS		VOLTAGE	POWER		CONNECTOR		
"O" ring type	Null	M5	00	Brass	2	2W NC	1	None (2W)	0	NBR	N	without coil	0	No coil	0	with	1
M12	M	#10 UNEF	01	Stainless Steel	3	3W NC	3	1	1	FKM	V	6	1	Latch	L		
3/4" UNEF	U	1/8" BSP	10			3W NO	4	1.2	2	EPDM	E	12	2				
								1.6	3			24	3				

Example : G80-OL-M00232N-3L1

GEM-SOL® G80-OL Latch Operator, M12, M5 port, Brass tube, 3W NC, 1.2 orifice, NBR, 24V DC Latch with connector.

Please provide the following information so that we can determine the most suitable coil :

- Voltage range
- Circuit type
- Current limitation
- Capacitor size (µF)
- Switching time (msec)

* To order operators manufactured according to your specific requirements, please contact our technical sales department.