

ELECTRIC & HYDRAULIC VALVES

GEM-FLOW™ | G75-S

Hydraulic 3/4"- 2" 2 Way

Technical Data

Function	2 Way
Ports size	3/4", 1", 1-1/2", 2" BSPT & NPT
Pressure range	0.3 to 10bar
Temperature range	Fluid: 5°C to 50°C (no freezing)
Materials in contact with media	Main Valve: Plastic (Reinforced Nylon) Diaphragm: NR : 3/4", 1" EPDM : 1-1/2", 2" Seals: Buna - N Spring: Stainless Steel AISI 300 series

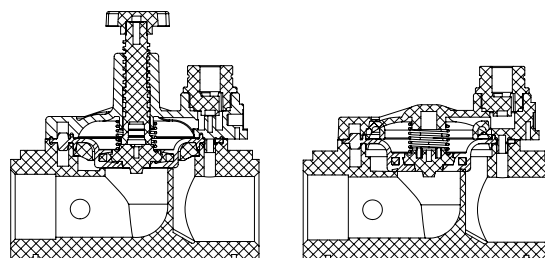
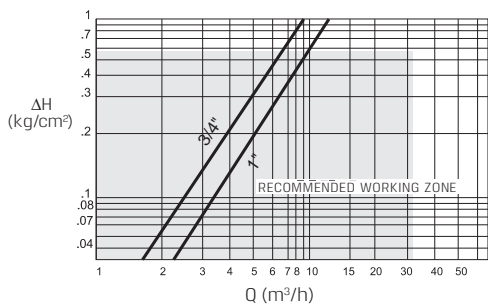


No inline pilot port | with flow control



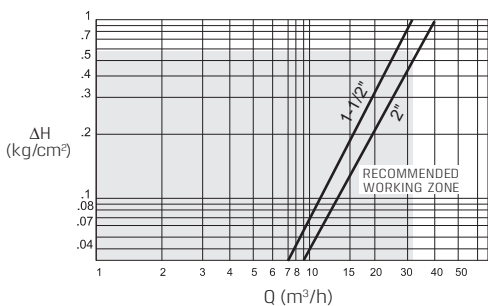
Upstream inline pilot port | with flow control

Head Loss for Fully Open Valve



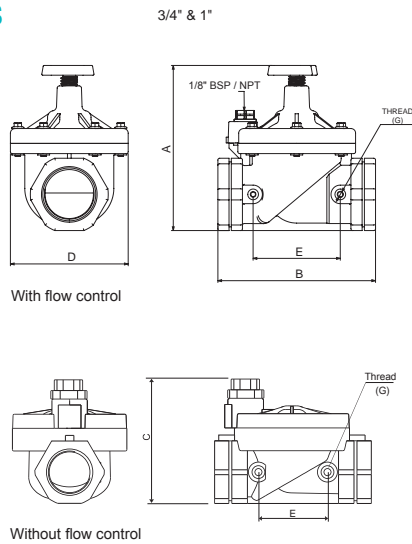
Flow direction →
 with flow control without flow control

Head Loss for Fully Open Valve

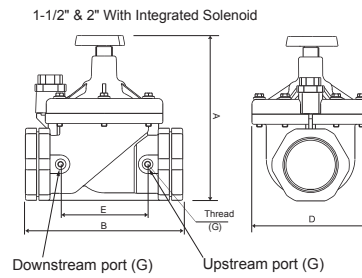


GEM-FLOW™ | G75-S | Hydraulic 3/4"- 2" 2 Way

Dimensions



Size	A	B	C	D	E	ØG	Weight (gr.)
3/4"	105	110	77	81	52.5	1/8"NPT/BSP	230
1"	112	110	84	81	48.5	1/8"NPT/BSP	230
1-1/2"	180	160	98	127	92	1/4"NPT/BSP	740
2"	190	170	98	127	94	1/4"NPT/BSP	790



How to Order

G75-S	PORT	FUNCTION INLINE PILOT PORTS	FLOW CONTROL		
3/4" BSPT	50	none	0	with	5
3/4" NPT	51	upstream only	1	without ⁽¹⁾	6
1" BSPT	60	downstream only	2		
1" NPT	61	both	3		
1-1/2" BSPT	70				
1-1/2" NPT	71				
2" BSPT	80				
2" NPT	81				

Example: G75-S-5015
 GEM-FLOW™ G75-S Hydraulic valve, 3/4" BSPT, 1/8" upstream inline pilot port, with flow control

(1) 3/4", 1" valves only

* To order valves manufactured according to your specific requirements, please contact our technical sales department