

ELECTRIC & HYDRAULIC VALVES

GEM-FLOW™ | G75-S

Electric 3/4" - 2" 2 Way NC

Technical Data

Function	2 Way NC
Ports size	3/4", 1", 1-1/2", 2" BSPT & NPT
Pressure range	0.3 to 10bar
Temperature range	(Fluid: 5°C to 50°C (no freezing) Ambient: -10°C to 50°C)
Materials in contact with media	Manual override: Plastic (Reinforced Nylon) Main Valve: Plastic (Reinforced Nylon) Solenoid Operator: Stainless Steel AISI 300 & 400 series Diaphragm: NR : 3/4", 1" EPDM : 1-1/2", 2" Seals: NBR Spring: Stainless Steel AISI 300 series
Solenoid	<ul style="list-style-type: none"> • G75, 2W NC solenoids, all voltages. • AC, DC and Latch
Coil voltage	<ul style="list-style-type: none"> • Voltage and power consumption - see table • All Baccara coil voltages are ± 10% of nominal



G75-S | 1" | NC with plastic manual override

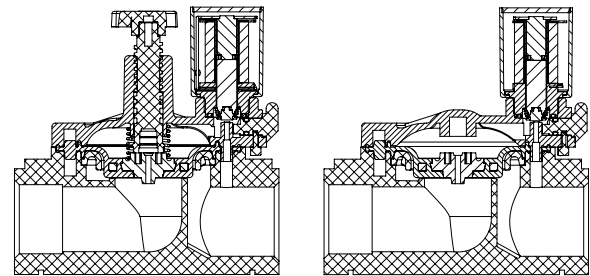


G75-S | 2" | NC Latch with handle manual override

Voltage & Current

AC & DC

Solenoid	Voltage	Inrush [A]	Holding [A]
2 Way 50 Hz	V +10% n-20%	0.3	0.19
2 Way 60 Hz		0.2	0.14
3 Way 50/60 Hz		0.125	0.125
DC		4.5W	



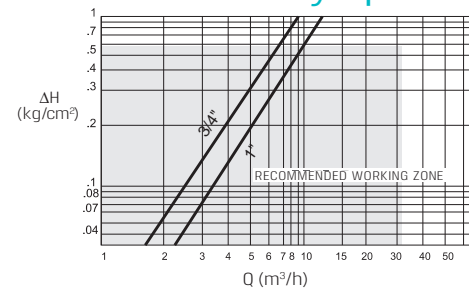
Flow direction →
with flow control without flow control

Voltage & Power Consumption

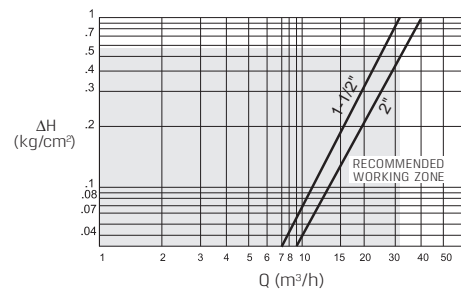
	AC (W)		DC (W)
	50 Hz	60 Hz	
V	2	4.5	
12	•	•	
24	•	•	
110	•	•	
	2 Way only		

- Available options

Head Loss for Fully Open Valve



Head Loss for Fully Open Valve



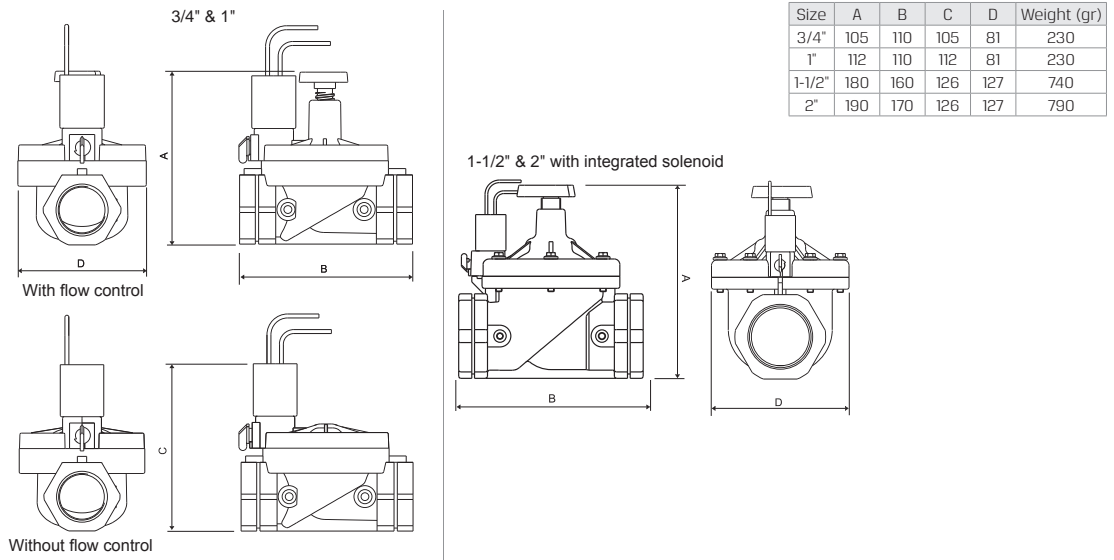
Latch Coil Resistance vs Input Voltage

Recommendations chart

Resistance [Ω]	Input voltage range [V]
4	6 - 9
9	12 - 14
12	14 - 16
23	18 - 21

GEM-FLOW™ | G75-S | Electric 3/4" - 2" 2 Way NC

Dimensions



How to Order

G75-S	PORT	FUNCTION	MANUAL OVERRIDE	FLOW CONTROL	VOLTAGE ⁽³⁾	WIRES			
3/4" BSPT	50	2W NC	1	with	5	24V AC	1	two	null
3/4" NPT	51		Plastic	without ⁽²⁾	6	12V AC	3	three ⁽¹⁾	a
1" BSPT	60		Handle ⁽¹⁾			12V DC	4		
1" NPT	61					24V DC	5		
1-1/2" BSPT	70					23Ω	6		
1-1/2" NPT	71					110V AC	7		
2" BSPT	80					4Ω	B		
2" NPT	81					9Ω	C		
						12Ω	D		

Example: G75-S-501051

GEM-FLOW™ G75-S electric valve, 3/4" BSPT, 2W NC, no manual override, with flow control, 24V AC, two wires

(1) For Latch only

(2) 3/4", 1" valves only

(3) For Latch: Refer to Latch Coil Resistance vs Input Voltage | Recommendations chart

* To order valves manufactured according to your specific requirements, please contact our technical sales department