

GEM-FLOW™ | G75-0

Latch Operator 2 Way, 3 Way NC, NO

Applicable for G75-A, Galit, G75-S & G75-Z valves

Technical Data

Function	2 Way, 3 Way NC, NO Latch
Orifice size	2 Way: No orifice 3 Way: See table
Pressure range (bars)	See solenoid valve performances
Capacitors	<ul style="list-style-type: none"> • 4700µF for 9V DC • 2200µF for 12V DC
Switching time	25-50 ms
Temperature range	Fluid: 5°C to 50°C (no freezing) Ambient: -10°C to 50°C
Materials in contact with media	Housing: Plastic (Reinforced Nylon 66) Plunger & pole: Stainless Steel AISI 430F Rubber Seals: EPDM Encapsulate: Polyurethane Spring: Stainless Steel AISI 300 series
Threads on operator tube	G1/8" or 1/8" NPT female to connect exhaust, muffler etc
Two wire operator	One coil with exit of 2 lead wires. To pull the plunger up, connect the black wire (-) and the green to the (+).
Three wire operator	One coil and an integrated electrical circuit. To pull plunger up, pulse is given to the red wire (-). To release the plunger, pulse is given to the black wire (-). Operate only by a controller.
Electrical connection	<ul style="list-style-type: none"> • Lead wires 35 cm, 18 AWG (0.75mm²) (black/green) • Lead wires: red, white, black for 3 wires
Voltage	9, 12V DC (coils for other voltages available)
Standard protection class	IP66

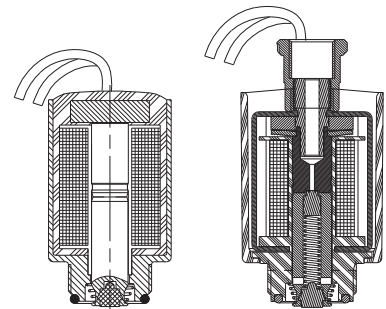
* Available with brass adaptor



2 Way Operator



3 Way Operator



2 Way NC

3 Way NC / 3 Way NO

Working Pressure (bar) 2 Way NC

Orifice (mm)	up to 2.0
Pressure (bar)	12

Working Pressure (bar) 3 Way NC

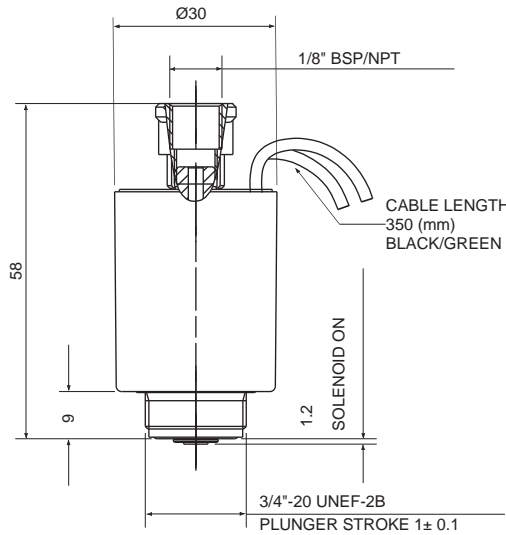
Orifice (mm)	1.0	1.2	1.6
AC Pressure (bar)	16	11	6

Working Pressure (bar) 3 Way NO

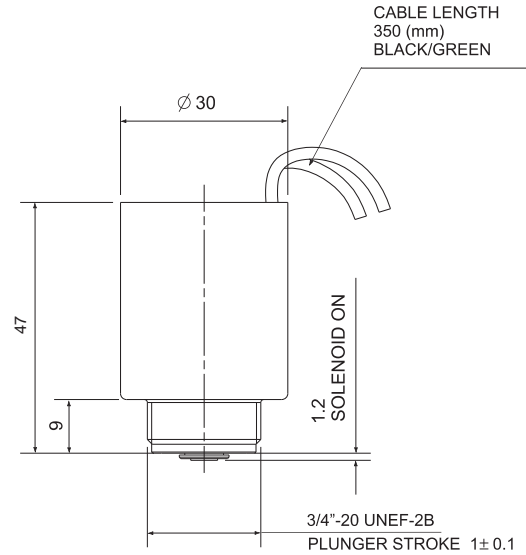
Orifice (mm)	1.0	1.2	1.6
Pressure (bar)	16	12	10

GEM-FLOW™ | G75-O | Latch Operator 2 Way, 3 Way NC, NO

Dimensions



3 Way NC / 3 Way NO



2 Way NC

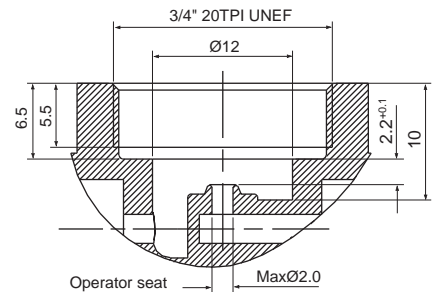
How to Order

2 Way

G75-O	FUNCTION	VOLTAGE VDC ⁽¹⁾	WIRES
	2W NC 1	4Ω B	two null

3 Way

G75-O	PORT	FUNCTION	ORIFICE	VOLTAGE VDC ⁽¹⁾	WIRES
	1/8" BSP 10	3W NC 3	1.0 1	9Ω C	three a
	1/8" NPT 11	3W NO 4	1.2 2	12Ω D	
			1.6 3	23Ω 6	



Latch Coil Resistance vs Input Voltage

Recommendations chart

Resistance [Ω]	Input voltage range [V]
4	6 - 9
9	12 - 14
12	14 - 16
23	18 - 21

Example: G75-O-1-B

GEM-FLOW™ G75 Latch solenoid operator, 2W NC, 4Ω, 2 wires

Example: G75-O-1042-Ca

GEM-FLOW™ G75 Latch solenoid operator, 1/8" BSP, 3W NO, 1.2 orifice, 9Ω, 3 wires

(1) Refer to Latch Coil Resistance vs Input Voltage | Recommendations chart

* To order operators manufactured according to your specific requirements, please contact our technical sales department