

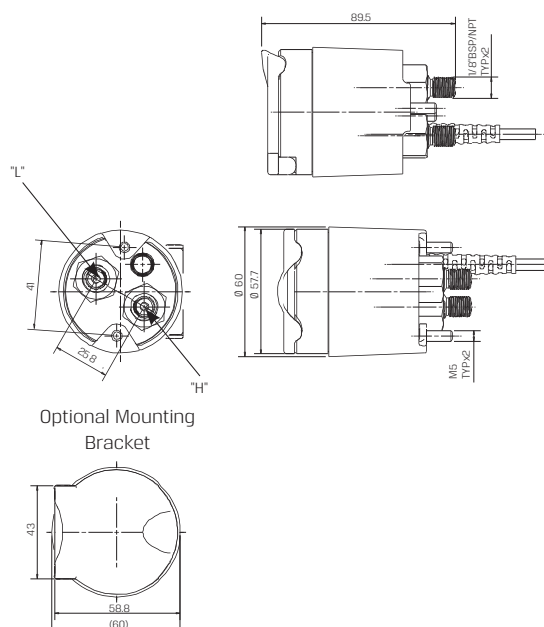
GEM-FLOW™ | G75-DLS

Digital Level Switch

- Measuring level of two set points: top and bottom
- Gives a signal to pump or valve
- Dry installation - no elements inside the tank
- Main applications: filling or draining of water reservoir and tanks

Technical Data

Mechanical	<ul style="list-style-type: none"> • Operating temperature: -10°C to 60°C (no freezing) • Outdoor UV protection • Front panel cover protection
Electrical	<ul style="list-style-type: none"> • Power supply: 6-24V DC or 12-24V AC • RED + BLK power supply • GRN / WHT N.O contact • Low power detect • Dry contact (N.O) 0.5A at 24V AC • Internal memory to retain "set-up data" at power down.
Mounting	<ul style="list-style-type: none"> • 2" (52mm) diameter • 2ft (60cm) 4 wires cable • Pressure ports 1/8" BSP/NPT (male) • High pressure port is marked by the letter "H" on the housing • Connect the water tank to the "H" port only
Software	See 'Programming key features' table
Display	<ul style="list-style-type: none"> • The LCD display shows the water level above the DLS mounting place • "ON" is displayed when the switch contacts are closed <p>Display resolution:</p> <ul style="list-style-type: none"> • 10 cm in a range of 0.0 - 70.0m • 0.01 bar in the range 0.0 - 7 bar
Standard protection class	<ul style="list-style-type: none"> • Dust and watertight • IP66



How to Order

G75-DLS	-	TYPE	ACCESSORIES
		Stand alone	1 Mounting bracket B

Programming Key Features

Manual operation
Time interval between level measurements function
Function: "SET" for fill "RESET" for empty
Zero calibration

Example: G75-DLS-1B

GEM-FLOW™ G75-DLS Digital Level switch, stand alone, with mounting bracket

* To order special valves manufactured according to your specific requirements, please contact our technical sales department