

CONTROLLERS & SPECIAL VALVES

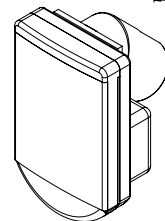
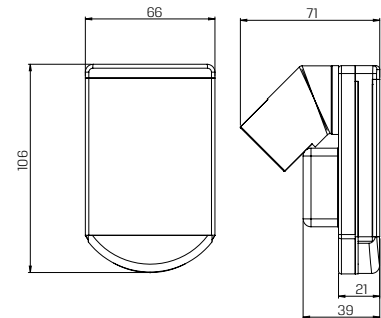
GEM-FLOW™ | G75-BWM

Baccara Water Meter Controller

- Single station water volume controller
- Connected to a water meter with pulse outlet
- Opens at a set time and closes when required water volume has been reached

Technical Data

Operating temperature	-10° to 60°C
Electrical	Powered by single 9V alkaline battery; use best quality to ensure at least one year's autonomous operation. <ul style="list-style-type: none"> • Back-up memory • Low battery warning • Power saving LCD • Battery included
Mounting	Various mounting options: <ul style="list-style-type: none"> • Directly on a 28mm diameter solenoid in horizontal or vertical position with adaptor • Wall mounting with four screws • Accessories provided
Solenoid	Compatible with G75 4Ω latch operator
Measurement units per pulse	100 liters 1m³ 10m³ 100 gallons 1000 gallons
Software	<ul style="list-style-type: none"> • 24 hours real time clock • See 'Programming key features' table
Options	Solar panel, charger
Standard protection class	<ul style="list-style-type: none"> • Dust and watertight • IP67 and NEMA 4X



How to Order

G75-BWM		VALVE		* G75-A															
				TYPE	PORT	FUNCTION	MANUAL OVERRIDE	ORIFICE											
	No valve		00	with flange	1	1/8" BSP	10	2W NC	1	None	0	1.0 (1)	1						
	1/2" BSP		40	Brass	3	1/8" NPT	11	3W NC	3			1.2	2						
	1/2" NPT		41																
	3/4" BSP		50											1/4" BSP (1)	20	3W NO	4	1.6	3
	3/4" NPT		51											1/4" NPT (1)	21				
	1" BSP		60																
	1" NPT		61																
	1-1/2" BSP		70																
	1-1/2" NPT		71																
	2" BSP		80																
	2" NPT		81																
	G75-A *																		

Programming Key Features

Set start time
Set required water volume
Day select
OFF

Example: G75-BWM-G75-A-110102

GEM-FLOW™ G75-BWM - G75-A with flange, 1/8" BSP, 2W NC, no manual override, 1.2 orifice

(1) Brass only

* To order controllers manufactured according to your specific requirements, please contact our technical sales department