

ELECTRIC & HYDRAULIC VALVES

GEM-FLOW™ | G75

3 Way Manual Selector 3/4" - 2" NC, NO

Technical Data

Solenoid	Supplied with 3 Way 12mm G75 solenoid or G75-A3P 2.6 mm latch
Assembly	Supplied with finger filter and accessories
Manual override	Manual override with 3 positions: <ul style="list-style-type: none"> • AUTO - for automatic operation (valve is open when solenoid is energized) • MANUAL - valve is kept open • CLOSE - valve is kept closed
Pressure	A minimum pressure differential of 1 bar is required

• For technical information, refer to G75-S | Electric 3/4" - 2" 2 Way NC



3 Way Manual selector

With solenoid

Voltage & Power Consumption

	AC (W)	
	50 Hz	DC(W)
V	2	4.5
12	•	•
24	•	•

• Available options

Voltage & Current

AC & DC

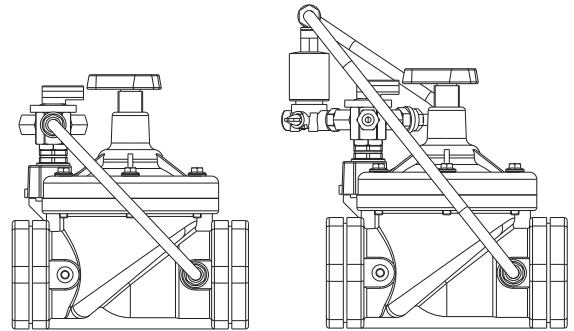
Solenoid	Voltage	Inrush [A]	Holding [A]
2 Way 50 Hz	V +10% n-20%	0.3	0.19
2 Way 60 Hz		0.2	0.14
3 Way 50/60 Hz *		0.125	0.125
DC		4.5W	

* Except 24V AC without Diode

Latch Coil Resistance vs Input Voltage

Recommendations chart

G75-A Latch	
Resistance [Ω]	Input voltage range [V]
4	6 - 9
9	12 - 14
12	14 - 16
23	18 - 21
G75-A3P Latch	
Resistance [Ω]	Input voltage range [V]
1	8 - 12
4	12 - 18
9	18 - 24



3 Way Manual selector

Manual selector with external 3 Way NO solenoid

How to Order

G75	TYPE	PORT	FUNCTION ⁽¹⁾	FLOW CONTROL	VOLTAGE ⁽⁴⁾	WIRES	
	Hydraulic with Manual Selector	SM	3/4" BSPT 50	2W NC 1	with 5	No solenoid (hydraulic) 0	two null
	Electric	EL	3/4" NPT 51	2W NO 2	without ⁽²⁾ 6	24V AC 1	three ⁽³⁾ a
	Electric with Manual Selector	ELM	1" BSPT 60			24V AC w/out Diode 1R	
			1" NPT 61			12V AC 3	
			1-1/2" BSPT 70			12V DC 4	
			1-1/2" NPT 71			24V DC 5	
			2" BSPT 80			23Ω 6	
			2" NPT 81			4Ω B	
						9Ω C	
						12Ω D	
						1Ω ⁽⁵⁾ PA	
						4Ω ⁽⁵⁾ PB	
						9Ω ⁽⁵⁾ PC	

Example: G75-ELM-70151

GEM-FLOW™ G75 3 Way electric with manual selector, 1-1/2" BSPT, 2W NC with flow control, 24V AC, two wires

- (1) Refers to the valve:
3 Way NC solenoid = NO valve
3 Way NO solenoid = NC valve
- (2) For 3/4", 1" valves only
- (3) For Latch only
- (4) For Latch: Refer to Latch Coil Resistance vs Input Voltage | Recommendations chart
- (5) For G75-A3P Latch

* To order valves manufactured according to your specific requirements, please contact our technical sales department