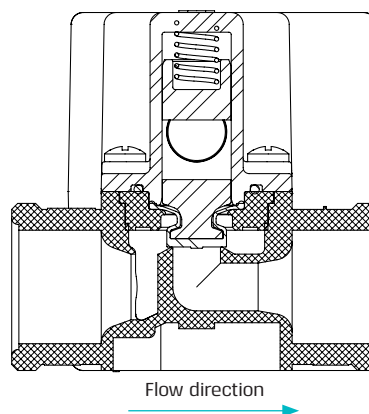


GEM-SOL® | CPR (GEM-CPR) Special

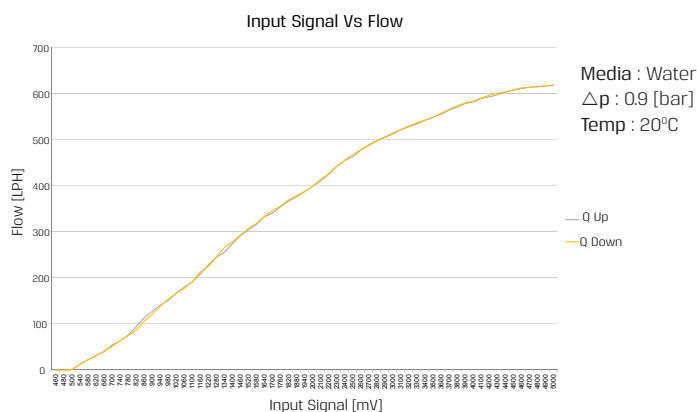
Precise Isolated Proportional 2 Way NC

Technical Data

Function	2 Way NC (with back-up battery)
Ports size	1/2" BSP & NPT
Orifice size	8mm (Up to 600 l/hour)
Pressure range	<ul style="list-style-type: none"> Vacuum applications : (-1) - 0 Bar Pressure applications : 0 - (+1) Bar *For other pressures, please consult our technical sales department
Temperature range	Fluid : -10° to 45°C (no freezing) Ambient : -10°C to 45°C
Materials	In contact with media : Valve body : <ul style="list-style-type: none"> Standard : PVC (UV Protection) Optional : According to customer demand or application (e.g Stainless steel) Diaphragm & seals : FKM, EPDM Not in contact with media : Operator housing : PP (UV protection) Manual override : Acetal (Manual override is standard)
Media	<ul style="list-style-type: none"> Liquids & Gases *Please consult our technical sales department for a specific media <ul style="list-style-type: none"> Application examples : <ul style="list-style-type: none"> Irrigation fertilizing systems Medical devices
Control signal	0-5V or 4-20mA
Valve stroke resolution	< 0.01mm
Valve stroke accuracy	< ± 0.01 mm
Full stroke duration	0.6 sec, each direction
Current consumption	<ul style="list-style-type: none"> Standby Mode (Holding position): 25 [mA] Active Control Mode: Up to 120 [mA] Full Open/Close Mode (starting current): Up to 600 [mA]
Supply voltage	12-24 [V] ±5% AC (50 or 60Hz) Or 12-24[V] ±10% DC *For other supply voltages, please consult our technical sales department *Current and voltage spikes protections might be required. Please consult our technical sales department
Connection	5 wires cable (3m length) : <ul style="list-style-type: none"> Black & red : Supply voltage (polarity is not restricted) Green : 0-5 V analog control signal Blue : 4-20 mA analog control signal Yellow : Analog control signal common
Recommended control signal resolution	Voltage : 20 mV Current : 0.064 mA
Standard / Certification	CE <ul style="list-style-type: none"> EMC : EN55011 Group 1 - Class A EN61000-6-1 CFR 47 FCC Class A SAFETY : IEC/EN61010-1
Standard protection class	IP67

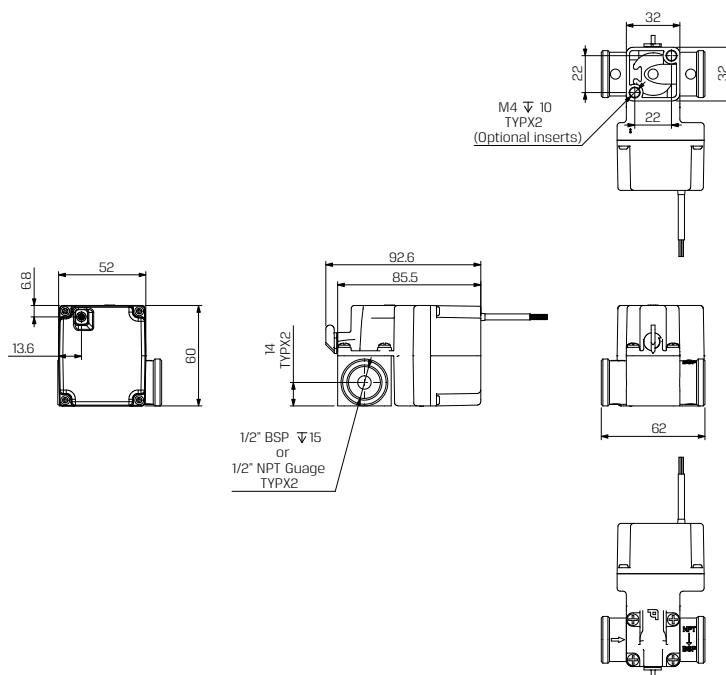


Typical performance graph



GEM-SOL® | CPR (GEM-CPR) | Precise Isolated Proportional 2 Way NC

Dimensions



How to Order

GEM-CPR	PORT	FUNCTION	PRESSURE	SEALS	MANUAL OVERRIDE	CONTROL SIGNAL	VOLTAGE
1/2" BSP	40	2W NC 1	Vacuum 1	FKM V	Plastic 1	0-5 V 1	12-24 VDC 1
1/2" NPT	41		Pressure ⁽¹⁾ 2	EPDM E		4.20 mA 2	12-24 VAC 2

Example : GEM-CPR-4011E1-11

GEM-SOL® CPR (GEM-CPR) Proportional, 1/2" BSP, 2W NC, Vacuum, EPDM seals, plastic manual override, 0-5V control signal, 12-24 VDC

(1) Maximum inlet pressure : 1 bar

*Please specify the working pressure range when placing an order

* To order valves manufactured according to your specific requirements, please contact our technical sales department.