

ISOLATED/FERTILIZER SOLENOIDS

GEM-SOL® | CPR (GEM-CPR)

Precise Isolated Proportional 2 Way NC

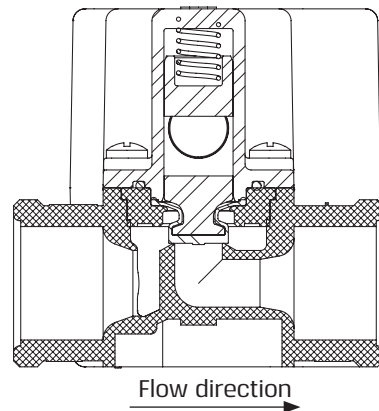
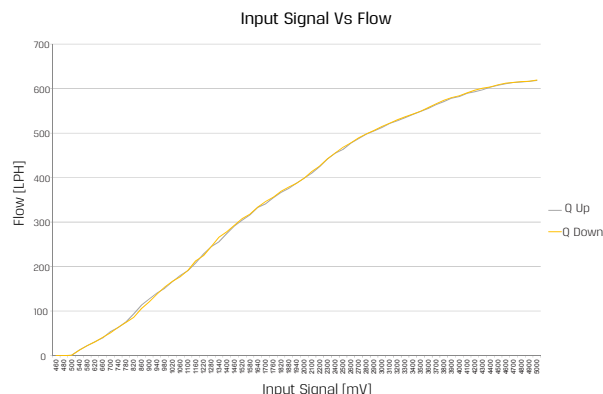


Technical Data

Function	2 Way NC (with back-up battery)
Ports size	1/2" BSP & NPT
Orifice size	8mm (Up to 600 l/hour)
Pressure range	<ul style="list-style-type: none"> • Vacuum applications: (-1) - 0 Bar • Pressure applications: 0 - (+1) Bar *For other pressures, please consult our technical sales department
Temperature range	Fluid: -10° to 45°C (no freezing) Ambient: -10°C to 45°C
Materials	In contact with media: Valve body: <ul style="list-style-type: none"> • Standard: PVC (UV Protection) • Optional: According to customer demand or application (e.g Stainless steel) Diaphragm & seals: FKM, EPDM Not in contact with media: Operator housing: PP (UV protection) Manual override: Acetal (Manual override is standard)
Media	<ul style="list-style-type: none"> • Liquids & Gases *Please consult our technical sales department for a specific media <ul style="list-style-type: none"> • Application examples: <ul style="list-style-type: none"> - Irrigation fertilizing systems - Medical devices
Control signal	0-5V or 4-20mA
Valve stroke resolution	< 0.01mm
Valve stroke accuracy	< ± 0.01 mm
Full stroke duration	0.6 sec, each direction
Current consumption	<ul style="list-style-type: none"> • Standby Mode (Holding position): 25 [mA] • Active Control Mode: Up to 120 [mA] • Full Open/Close Mode (starting current): Up to 600 [mA]
Supply voltage	12-24 [V] ±5% AC (50 or 60Hz) Or 12-24[V] ±10% DC *For other supply voltages, please consult our technical sales department *Current and voltage spikes protections might be required. Please consult our technical sales department
Connection	5 wires cable (3m length): <ul style="list-style-type: none"> • Black & red: Supply voltage (polarity is not restricted) • Green: 0-5 V analog control signal • Blue: 4-20 mA analog control signal • Yellow: Analog control signal common
Recommended control signal resolution	Voltage: 20 mV Current: 0.064 mA
Standard / Certification	CE <ul style="list-style-type: none"> • EMC: EN55011 Group 1 - Class A EN61000-6-1 CFR 47 FCC Class A • SAFETY: IEC/EN61010-1
Standard protection class	IP67

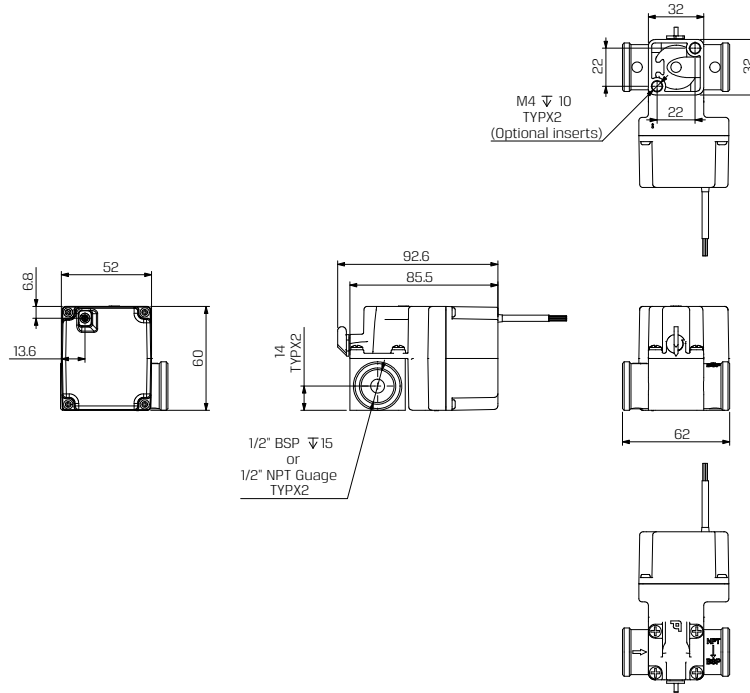


Typical Performance Graph



GEM-SOL® | CPR (GEM-CPR) | Precise Isolated Proportional 2 Way NC

Dimensions



How to Order

GEM-CPR	PORT	FUNCTION	PRESSURE	SEALS	MANUAL OVERRIDE	CONTROL SIGNAL	VOLTAGE
1/2" BSP	40	2W NC 1	Vacuum 1	FKM V	Plastic 1	0-5 V 1	12-24 VDC 1
1/2" NPT	41		Pressure ⁽¹⁾ 2	EPDM E		4-20 mA 2	12-24 VAC 2

Example: GEM-CPR-4011E1-11

GEM-SOL® CPR (GEM-CPR), Precise Isolated proportional valve, 1/2" BSP, 2W NC, Vacuum, EPDM seals, plastic manual override with 0-5V control signal, 12-24VDC

(1) Maximum inlet pressure: 1 bar

* Please specify the working pressure range when placing an order

* To order valves manufactured according to your specific requirements, please contact our technical sales department