

SOLENOID VALVES | GEM-SOL® | Special Purpose Isolated

GEM-SOL® | C32 (GEM-C)

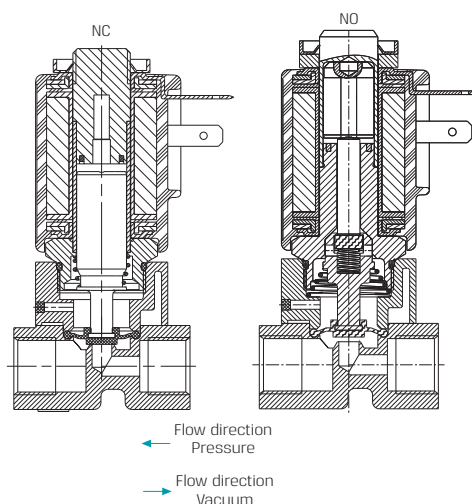
Chem-Sol 1/4" | 2 Way NC, NO

Technical Data

Function	2 Way NC, NO
Ports size	1/4" BSP & NPT
Orifice size	4.5mm *Option for 2.8 mm orifice. Please contact our technical sales department
Pressure range	See table
Kv (l/min)	5 l/min
Temperature range	Fluid : 5° to 50°C (no freezing) Ambient : -10°C to 50°C
Materials in contact with media	Manual override: NC : Plastic (Reinforced Nylon) NO : Manual override is not available Main Valve: Reinforced PPA Seals: FKM, EPDM, Silicone, Viton™ Extreme™ ETP-600S
Applications	<ul style="list-style-type: none"> • Chemical process • Water treatment • Analysis device etc
Coil voltage	<ul style="list-style-type: none"> • Voltage and power consumption - see table • All Baccara coil voltages are ± 10% of nominal
Standard protection class	IP65 with connector * Option : IP68 (please refer to GEM-BP Coil)



2 Way NC | Vacuum



Pressure (bar) NC

Coil Current/Power	Flow direction not restricted	Flow direction restricted
ADC *	0 to 2.5 bar	0 to 0.6 bar
AC 8W	0 to 2.5 bar	0 to 0.7 bar
AC 5.5W	0 to 2 bar	0 to 0.5 bar
DC 5.5W	0 to 1.5 bar	0 to 0.4 bar

Vacuum (bar) NC

Coil Current/Power	Flow direction not restricted	minimum Δp
ADC *	-1 to 0 bar	1 bar
AC 5.5W	-1 to 0 bar	
DC 5.5W	-1 to 0 bar	

Pressure (bar) NO

Coil Current / Power	Flow direction not restricted	Flow direction restricted ⁽¹⁾
ADC *, AC 8W or DC10W	0 to 1 bar	0 to 0.5 bar
5.5W AC/DC	0 to 1 bar	0 to 0.5 bar

(1) Higher input pressure of up to 1atm can be achieved with minimal pressure drop on the valve of 0.3atm

* ADC valves are only suitable for use with AC8W or DC10W coils.

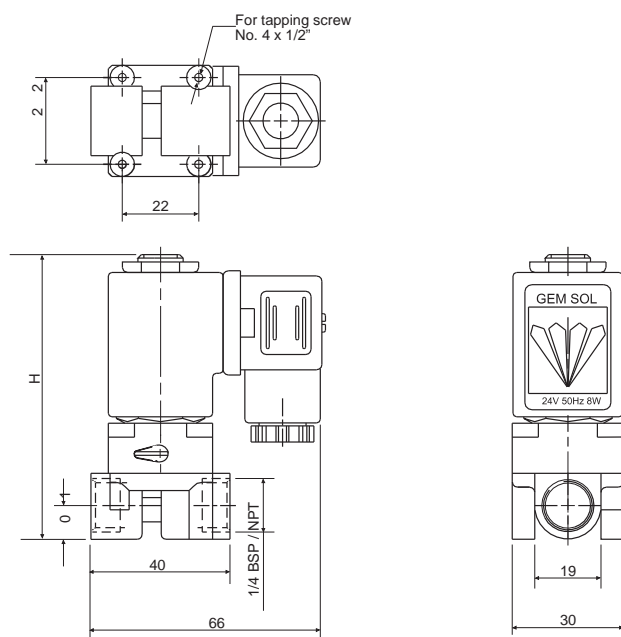
Voltage & Power Consumption NC & NO valves

V	AC (W)						DC (W)		
	8	5.5	2.5	8	5.5	2.5	10	5.5	3.5
6							•	•	
12	•			•			•	•	
24	•	•		•	•		•	•	
48	•			•			•		
110	•			•	•		•		
120	•			•	•				
220	•	•		•			•		
230	•	•		•	•				
240	•			•			•		

• Available options

GEM-SOL® | C32 (GEM-C) | Chem-Sol 1/4" | 2 Way NC, NO

Dimensions



Notes

Type	Valve Description	H
NC	GEM-C-12 □1...	81
NO	GEM-C-12 □2...	84.5

How to Order

GEM-C	BODY	PORT	FUNCTION	PRESSURE	SEALS	MANUAL OVERRIDE ⁽¹⁾	VOLTAGE	POWER	CONNECTOR
	Plastic 1	1/4" BSP 20	2W NC 1	Vacuum 1	FKM V	None 0	without coil 0	No coil 0	with 1
		1/4" NPT 21	2W NO 2	Pressure 2	EPDM E	Plastic* 1	6 1	AC8W 50Hz 1	with LED 2
			2W NO * 2a		Silicone * S		12 2	AC8W 60Hz 2	flying leads coil * 4
					Viton™ Extreme™ X ETP-600S*		24 3	DC 10W 3	with 1/2" Hub 5
							48 4	AC5.5W 50Hz 4	surge protection with LED * 6
							110 5	AC5.5W 60Hz 5	connector with moulded cable 7
							120 6	DC 5.5W 7	other 9
							220 7A		
							230 7		
							240 8		
							Latch/other * ⁽²⁾ 9		

* **SPECIAL OPTIONS** | Extended lead times, Non-stock items, MOQ may be applicable

Example : GEM-C-12012V1-321

GEM-SOL® C32 (GEM-C) Chem-Sol, Plastic, 1/4" BSP, 2W NC, Pressure, FKM, plastic manual override, 24V AC 8W 60Hz with connector.

(1) 2 Way NO - manual override is not available

(2) For specifying Latch type coil, please refer to A3P32 (GEM-A3P)valve - How to Order table

* **Note:** When ordering without coil, please define what current and pressure rating is needed (DC, AC or ADC), otherwise an ADC valve will be supplied.

* To order valves manufactured according to your specific requirements, please contact our technical sales department.