

ISOLATED/FERTILIZER SOLENOIDS

GEM-SOL® | C32 (GEM-C)

Chem-Sol 1/2" 2 Way NC

Technical Data

Function	2 Way NC
Ports size	1/2" BSP & NPT
Orifice size	8mm (Up to 600 l/hour)
Pressure range	See table
Kv (l/min)	18 l/min
Temperature range	Fluid: 5°C to 50°C (no freezing) Ambient: -10°C to 50°C
Materials in contact with media	Manual override: Plastic (Reinforced Nylon) * Available for vacuum application only Main Valve: PVC Seals: FKM, EPDM
Applications	<ul style="list-style-type: none"> • Chemical process • Water treatment • Analysis device etc
Coil voltage	<ul style="list-style-type: none"> • Voltage and power consumption - see table • All Baccara coil voltages are from -5% to ±10% of nominal
Standard protection class	IP65 with connector * Option: IP68 (please refer to GEM-BP coil)

- Supplied with mounting threads on request, please specify



Pressure (bar) NC

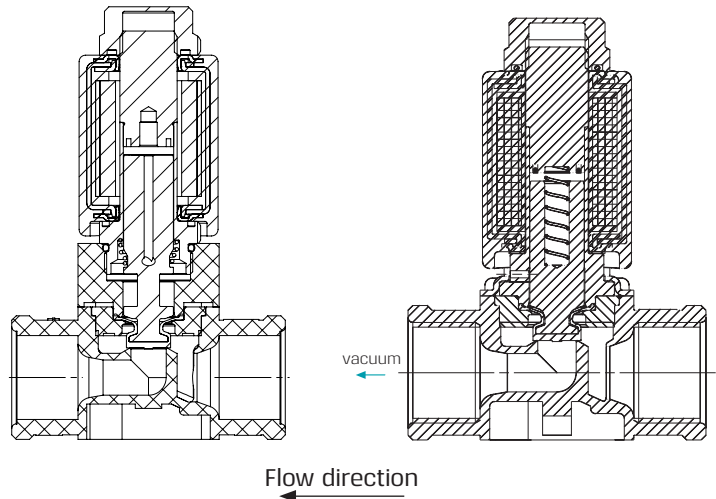
Coil Current/Power	Flow direction not restricted	Flow direction restricted
AC 8W, DC10W	0 to 0.7 bar	Min dp 0.3 bar

Vacuum (bar) NC

Coil Current/Power	Flow direction not restricted	Flow direction restricted
AC 8W	-1 to 0.5 bar	-1 to 0.5 bar
AC 5.5W	-0.5 to 0.5 bar	-0.8 to 0.5 bar
DC 10W	-0.4 to 0.5 bar	-0.6 to 0.5 bar

Voltage & Power Consumption

V	AC (W)						DC (W)		
	50 Hz			60 Hz			10	5.5	3.5
6							•	•	
12	•	•		•	•		•	•	
24	•	•	•	•	•	•	•	•	
48	•	•		•	•		•	•	
110	•	•		•	•	•	•	•	
120	•	•		•	•	•			
220	•	•	•	•	•	•	•	•	
230	•	•	•	•	•	•			
240	•	•		•	•		•	•	

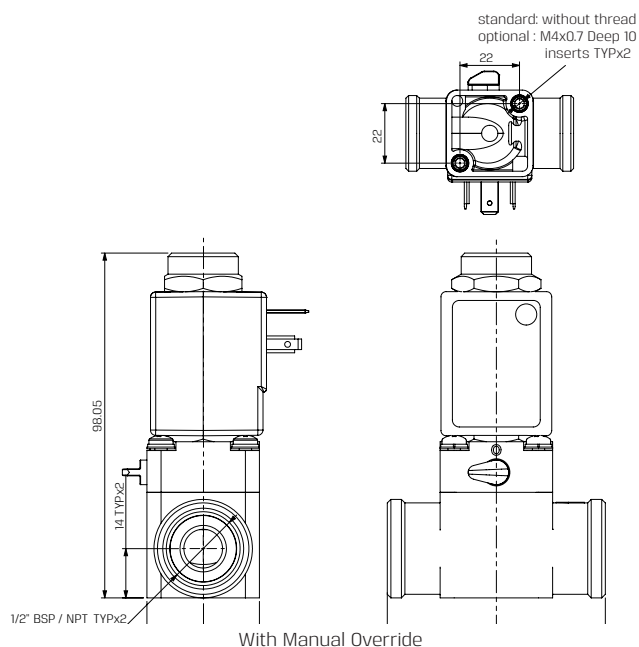
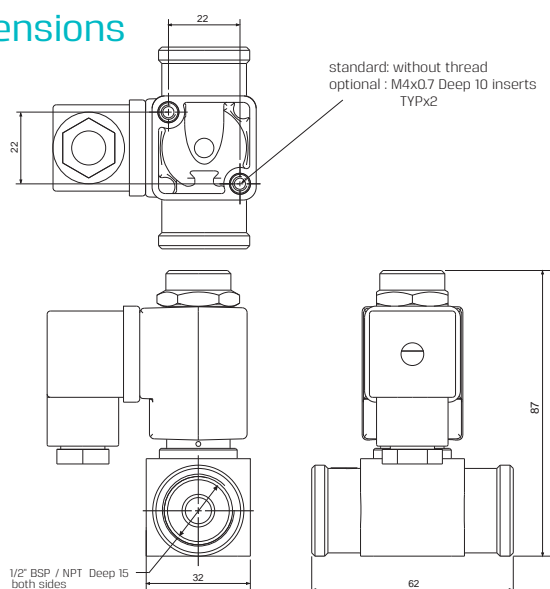


Available options:

- Vacuum
- Pressure

GEM-SOL® | C32 (GEM-C) | Chem-Sol 1/2" 2 Way NC

Dimensions



How to Order

GEM-C	PORT	FUNCTION	PRESSURE	SEALS	MANUAL OVER-RIDE	* When ordering without coil, please define what current and pressure rating is needed (DC, AC)										
						VOLTAGE	POWER	CONNECTOR								
	1/2" BSP	40	2W NC	1	Vacuum	1	FKM	V	None	Null	W/out coil	0	No coil	0	with	1
	1/2" NPT	41			Pressure	2	EPDM	E	Plastic ⁽¹⁾	1	6 ⁽²⁾	1	AC8W 50Hz	1	with LED	2
											12	2	AC8W 60Hz	2	flying leads coil*	4
											24	3	DC10W	3	with 1/2" Hub	5
											48	4	AC5.5W 50Hz	4	surge protection with LED*	6
											110	5	AC5.5W 60Hz	5	connector with moulded cable	7
											120	6			other	9
											220	7A				
											230	7				
											240	8				
											Latch/ other* ⁽³⁾	9				

* SPECIAL OPTIONS | Extended lead times, Non-stock items, MOQ may be applicable

Example: GEM-C-4011V1-321

GEM-SOL® C32 (GEM-C) Chem-Sol, 1/2"BSP, 2W NC for vacuum, FKM, plastic manual override, 24V AC 8W 60Hz with connector

(1) Available for Vacuum application only

(2) DC only

(3) For specifying Latch type coil, please refer to A3P32 (GEM-A3P) valve - How to Order table

* To order valves manufactured according to your specific requirements, please contact our technical sales department