

SOLENOID VALVES

GEM-SOL® | A32 (GEM-A)

1/8", 1/4" 2 Way NC, NO

Technical Data

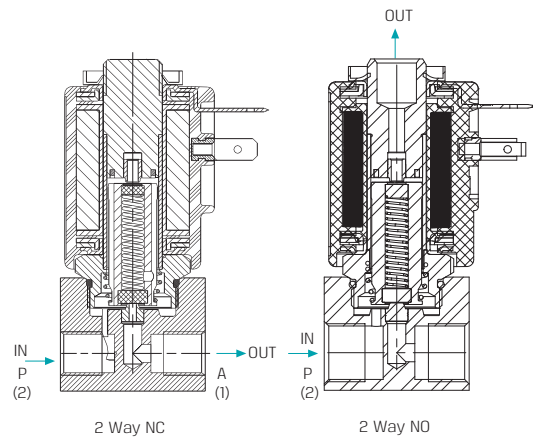
Function	2 Way NC, NO
Ports size	1/8" and 1/4" BSP & NPT
Orifice size	See table
Pressure range	<ul style="list-style-type: none"> See table Valves for pressure higher than 25 bar cannot be supplied with manual override
Kv (l/min)	See table
Temperature range	Fluid: -10°C to 80°C (no freezing) Ambient: -10°C to 50°C
Materials in contact with media	Manual override: Plastic (Reinforced Nylon), Brass screw or Brass finger knob, Stainless Steel for Stainless Steel valves (1) Plastic manual override: Maximum pressure: 16 bar (2) Manual override is unavailable in 2 Way NO through base applications Main Valve: Brass or Stainless Steel AISI 316 Solenoid Operator: Stainless Steel AISI 300 & 400 series Seals: NBR, FKM, EPDM, FFKM, PTFE
Media	Air, water, oil
Coil voltage	<ul style="list-style-type: none"> Voltage and power consumption - see table All Baccara coil voltages are ± 10% of nominal
Standard protection class	IP65 with connector * Option: IP68 (please refer to GEM-BP Coil)

- Latch valves are available upon request
- Available with a manifold bracket upon request. Please contact our technical sales department



Stainless Steel

Brass



Max. Pressure (bar) 2 Way NC

Coil Current/Power	Orifice (mm)						
	0.8	1.2	1.6	2.0	2.4	3.0	4.0
ADC *	60	50	35	20	15	10	5
AC8W, DC/10W	80	80	60	38	30	18	10
AC5.5W	80	60	40	28	20	15	6
AC2.5W	60	50	35	20	15	9	5
DC5.5W	60	30	18	12	9	6	3
DC3.5W	40	20	12	8	6	4	2
Flow factor Kv(l/min)	0.5	1.1	1.7	2.5	3.5	4.5	5

Max. Pressure (bar) 2 Way NO

Coil Current/Power	Orifice (mm)					
	0.8	1.2	1.6	2.0	2.4	3.0
ADC *	25	25	25	20	15	10
Flow factor Kv(l/min)	0.5	1.1	1.4	2.5	3.0	3.5

* ADC valves are only suitable for use with AC8W or DC10W coils

Voltage & Power Consumption

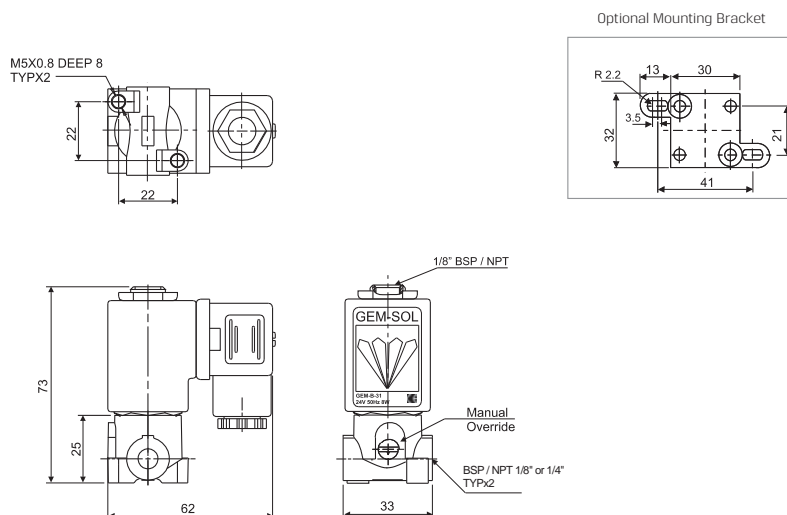
V	AC (W)						DC (W)		
	50 Hz			60 Hz			10	5.5	3.5
6							•	•	•
12	•			•			•	•	•
24	•	•	•	•	•	•	•	•	•
48	•			•			•		
110	•			•	•		•		
120	•			•	•				
220	•	•	•	•			•		
230	•	•		•	•				
240	•			•			•		

Available options

- Standard
- Special

GEM-SOL® | A32 (GEM-A) | 1/8", 1/4" 2 Way NC, NO

Dimensions



How to Order

* For available options, please refer to VOLTAGE & POWER CONSUMPTION table

GEM-A	BODY	PORT	FUNCTION	ORIFICE	SEALS	MANUAL OVERRIDE	VOLTAGE	POWER	CONNECTOR
Brass	2	1/8" BSP	10 2W NC	1 0.8	1 NBR	N None	0 without coil	0 No coil	0 with
SST	3	1/8" NPT	11 2W NO *	2 1.2	2 FFKM *	V Plastic * (3)	6 (4)	1 AC8W 50Hz	1 with LED
		1/4" BSP	20 2WNO-through base (1) 2a	3 1.6	3 EPDM	E Slot	12	2 AC8W 60Hz	2 flying leads coil *
		1/4" NPT	21	4 2.0	4 FFKM *(2)	K Knob *	24	3 DC 10W	3 with 1/2" Hub
				5 2.4	5 PTFE *	T	48	4 AC 5.5W 50Hz	4 surge protection with LED *
				6 3.0 *	6		110	5 AC 5.5W 60Hz	5 connector with moulded cable
				7 4.0 *	7		120	6 AC 2.5W 50/60Hz	6 other *
							220	7A DC 5.5W	7
							230	7 DC 3.5W	8
							240	8	8
									Latch/other * (5) 9

* SPECIAL OPTIONS | Extended lead times, Non-stock items, MOQ may be applicable

Example : GEM-A-21015N2-331

GEM-SOL® A32 (GEM-A) direct operated, Brass, 1/8"BSP, 2W NC, 2.4 orifice, NBR, slot manual override, 24VDC 10W with connector

- (1) Option 2a : manual override is not available
- (2) FFKM O-ring is available only upon request. When ordering FFKM seals, please consult with our technical sales department about O-ring compound
- (3) Maximum pressure : 16 bar
- (4) DC only
- (5) For specifying Latch type coil, please refer to A3P32 (GEM-A3P) valve - How to Order table

* Note: When ordering without coil, please define what current and pressure rating is needed (DC, AC or ADC), otherwise an ADC valve will be supplied

* To order valves manufactured according to your specific requirements, please contact our technical sales department