

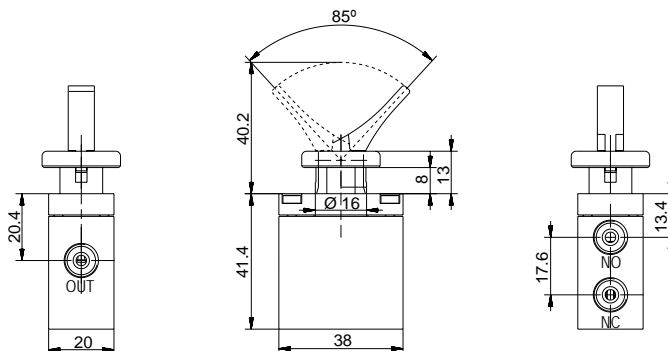
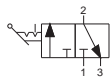
3 Port 1/8" Pilot Valves

- Available in NC or NO option
- Port size : 1/8" BSP

Technical Data

Material	Brass
Fluid	Air / Inert gas * *For other fluids, please consult with our technical sales department
Operation pressure	NC : 10 bar NO : 7 bar
Ambient temperature	-5° to 55°C
Lubrication	Not required (use turbine oil class ISO VG32 if lubricated)
Port size	1/8" BSP
Pilot pressure	Air-Spring : 2 - 10 bar

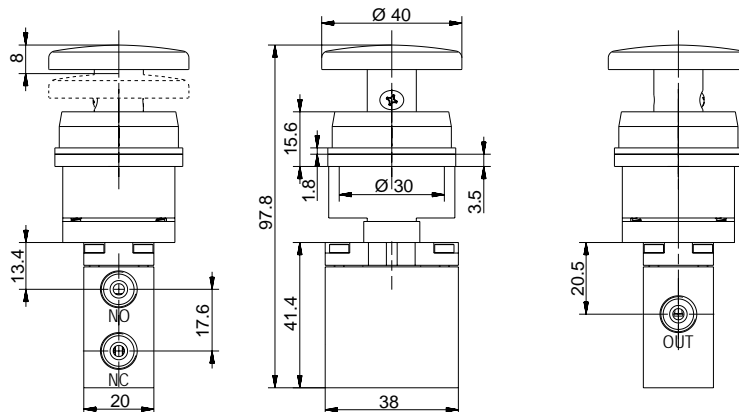
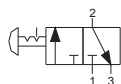
Lever



How to Order

33-13-B	-	FUNCTION
		NC 1
		NO 2

Emergency lock Push-Button



How to Order

33-111-B-ES	-	FUNCTION
		NC 1
		NO 2