

SOLENOID VALVES | GEM-SOL® | General Purpose Pilot Operated

GEM-SOL® | SE32 (GEM-SE) Special

General Purpose 1/4"-1/2" | 3 Way

Technical Data

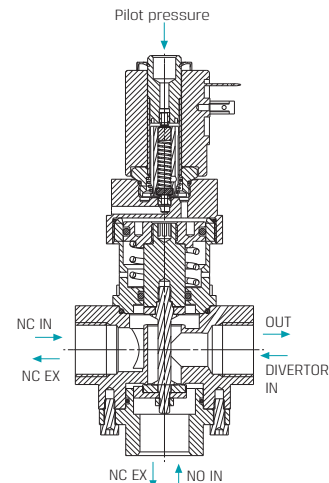
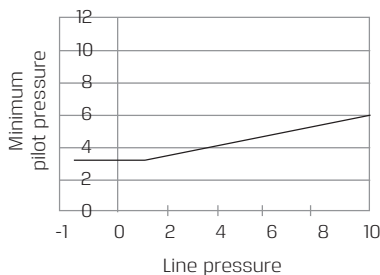
Function	3 Way General purpose
Ports size	1/4", 3/8", 1/2" BSP & NPT
Pressure range	• See table * Min. pilot pressure : 1.5 bar (for other, see graph)
Kv (l/min)	See table
Temperature range	Fluid : -10°C to 80°C (no freezing) Ambient : -10°C to 50°C
Materials in contact with media	Main Valve: Brass Solenoid Operator: Stainless Steel AISI 300 & 400 series Seals: NBR, FKM, EPDM Piston seal PU* * other seals available upon request
Media	Air, water, oil
Standard protection class	IP65 with connector * Option : IP68 (please refer to GEM-BP Coil)



Brass | 1/4"

Pressure (bar) & Flow

Size	Orifice(mm)	Pressure (bar)	Kv(l/min)
1/4"	8	0 to 10	12
3/8"	12		16
1/2"	12		35



Voltage & Power Consumption

V	AC (W)						DC (W)		
	50 Hz			60 Hz			10	5.5	3.5
6							•	•	
12	•						•	•	
24	•	•					•		
48	•						•		
110	•						•		
120	•						•		
220	•	•					•		
230	•	•					•		
240	•						•		

• Available options

Size	A	B	C	D	E	F	G	H	I	J	K
1/4"	34	32	32.5	1/4"	141.5	45.6	M4	37.5	25	58	6
3/8"	45	38	41	3/8"	155	45.6	M5	47	30	69	7
1/2"				1/2"							

Dimensions

