

SOLENOID VALVES | GEM-SOL® | General Purpose

Pilot Operated

GEM-SOL® | SM32 (GEM-SM)

Manifold 1/4", 1/2" | 2 Way NC, NO

Technical Data

| | |
|---------------------------------|--|
| Function | 2 Way NC, NO |
| Ports size | 1/4", 1/2" BSP & NPT |
| Pressure range | See table *Minimum pressure differential of 0.3 or 0.5 is required |
| Kv (l/min) | See table |
| Temperature range | Fluid : -10°C to 80°C (no freezing) Ambient : -10°C to 50°C |
| Materials in contact with media | Manual override: NC/NO - Brass screw Main Valve: Brass Stainless Steel AISI 316 Solenoid Operator: Stainless Steel AISI 300 & 400 series Seals: NBR, FKM, EPDM |
| Assembly | <ul style="list-style-type: none"> Stations attached by 3 screws End stations are either with ports or plugged |
| Coil voltage | <ul style="list-style-type: none"> Voltage and power consumption - see table All Baccara coil voltages are ± 10% of nominal |
| Standard protection class | IP65 with connector * Option : IP68 (please refer to GEM-BP Coil) |

- When using a manifold with more than 8 stations, it is advisable to use two air supplies, one at each end
- It is possible to combine functions on one manifold
- Slow closing system to prevent water hammer effect
- Pressure separation plug between stations is available.



4 Station Manifold | Brass



2 Station Manifold | Stainless Steel

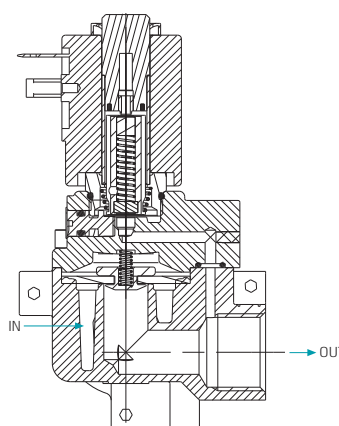
Pressure (bar) & Flow

| Size | Orifice (mm) | Pressure (bar) | Kv(l/min) |
|------|--------------|----------------|-----------|
| 1/4" | 8 | 0.5 to 20 | 12 |
| 1/2" | 12 | | 35 |

Voltage & Power Consumption

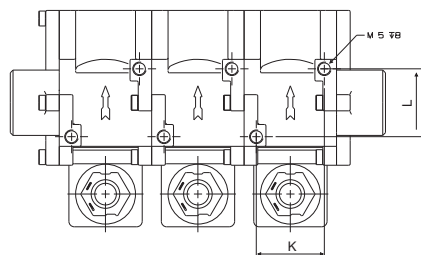
| V | AC (W) | | | | | | DC (W) | | |
|-----|--------|--|--|-------|--|--|--------|-----|-----|
| | 50 Hz | | | 60 Hz | | | 10 | 5.5 | 3.5 |
| 6 | | | | | | | • | | |
| 12 | • | | | • | | | • | | |
| 24 | • | | | • | | | • | | |
| 48 | • | | | • | | | • | | |
| 110 | • | | | • | | | • | | |
| 120 | • | | | • | | | • | | |
| 220 | • | | | • | | | • | | |
| 230 | • | | | • | | | • | | |
| 240 | • | | | • | | | • | | |

- Available options



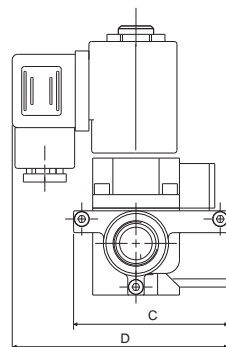
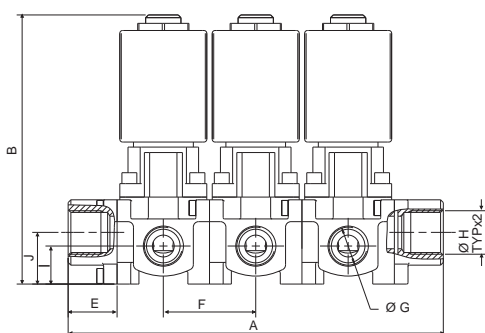
GEM-SOL® | SM32 (GEM-SM) | 1/4", 1/2" | 2 Way NC, NO

Dimensions



| Size | A | B | C | D | E | F | G | H | I | J | K | L |
|------|----------|-------|----|------|----|----|--------------|--------------|----|----|----|----|
| 1/4" | 36+34xN* | 99 | 57 | 80 | 18 | 34 | 1/4" BSP/NPT | 3/8" BSP/NPT | 14 | 19 | 25 | 25 |
| 1/2" | 40+40xN* | 112.8 | 67 | 83.9 | 20 | 40 | 1/2" BSP/NPT | 1/2" BSP/NPT | 21 | 26 | 32 | 32 |

*N - Number of stations



How to Order

| GEM-SM | No. of STATIONS | BODY | PORT | FUNCTION | SEALS | MANUAL OVERRIDE | - | VOLTAGE | POWER | CONNECTOR | | | | |
|--------|------------------|-------------------|----------------|------------|-------|-----------------|--------|---------|-----------------|-----------|-----------|---|------------------------------|---|
| | | | | | | | | | | | | | | |
| | specify quantity | Brass | 2 1/4" BSP (1) | 20 2W NC 1 | NBR | N | None * | 0 | without coil | 0 | with | 1 | | |
| | | Stainless Steel * | 3 1/4" NPT (1) | 21 2W NO 2 | FKM | V | Slot | 2 | 6 | 1 | AC8W 50Hz | 1 | with LED | 2 |
| | | | 1/2" BSP * 40 | | EPDM | E | Knob * | 3 | 12 | 2 | AC8W 60Hz | 2 | with 1/2" Hub | 5 |
| | | | 1/2" NPT * 41 | | | | | | 24 | 3 | DC10W | 3 | surge protection with LED * | 6 |
| | | | | | | | | | 48 | 4 | | | connector with moulded cable | 7 |
| | | | | | | | | | 110 | 5 | | | other | 9 |
| | | | | | | | | | 120 | 6 | | | | |
| | | | | | | | | | 220 | 7A | | | | |
| | | | | | | | | | 230 | 7 | | | | |
| | | | | | | | | | 240 | 8 | | | | |
| | | | | | | | | | Latch/other (2) | 9 | | | | |

* SPECIAL OPTIONS | Extended lead times, Non-stock items, MOQ may be applicable

Example : GEM-SM-022202V2-321

GEM-SOL® SM32 (GEM-SM) pilot operated, 2 stations, Brass, 1/4" BSP, 2W NO, FKM, slot manual override, 24VAC 8W 60Hz with connector.

(1) Only available in Brass

(2) For specifying Latch type coil, please refer to A3P32 (GEM-A3P) valve - How to Order table

* Note: When ordering without coil, please define what current and pressure rating is needed (DC, AC or ADC), otherwise an ADC valve will be supplied.

* To order manifolds manufactured according to your specific requirements, please contact our technical sales department.