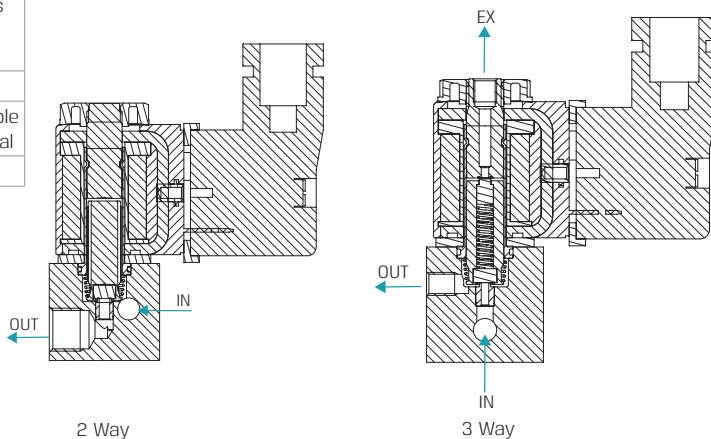


# GEM-SOL® | M22 (G80-M) Special

## Manifold

### Technical Data

Function	2 Way, 3 Way
Orifice size	See table
Ports size	1/8" BSP & NPT
Pressure range	See table
Kv (l/min)	See table
Temperature range	<b>Fluid</b> : -10°C to 80°C (no freezing) <b>Ambient</b> : -10°C to 50°C
Mounting	Coil can be mounted in 2 positions at 180° apart and the coil plug can rotate to 2 positions at 180°.
Materials in contact with media	<b>Main Valve:</b> Aluminium <b>Solenoid Operator:</b> Stainless Steel AISI 300 & 400 series, Brass <b>Seals:</b> NBR, FKM, EPDM, FFKM
Media	Air, water, oil
Coil voltage	• Voltage and power consumption - see table • All Baccara coil voltages are ± 10% of nominal
Standard protection class	IP65 with connector



### Max. Pressure (bar) 2 Way NC

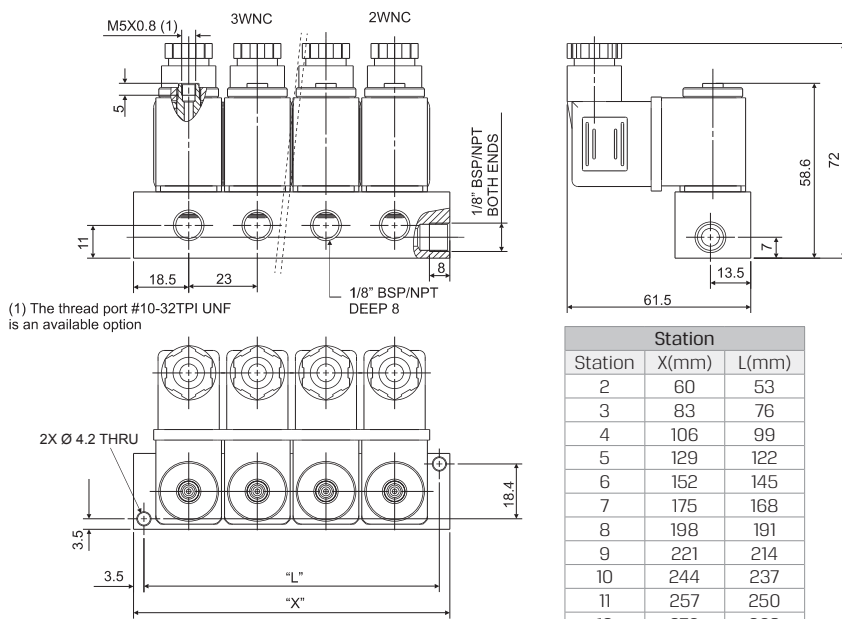
Coil Current/Power	Orifice (mm)			
	1.2	1.6	* 2.0 (1)	* 2.4 (1)
AC - 7.5W	35	35	12	10
AC - 5W	30	15	8	6
DC - 6W	35	20	12	10
DC - 3W	30	15	5	4
Flow factor Kv(l/min)	0.65	1.2	1.6	2

\* Bottom orifice only. Top orifice - up to 1.6  
(1) For 2 Way NC only

### Max. Pressure (bar) 3 Way NC

Coil Current/Power	Orifice (mm)	
	1.2	1.6
AC - 7.5W	12	10.5
AC - 5W	10	7
DC - 6W	12	10.5
DC - 3W	10	7
Flow factor Kv(l/min)	0.65	1

### Dimensions



### Voltage & Power Consumption

V	AC (W)				DC (W)	
	75	5	6	3	6	3
6					•	•
12	•	•	•	•	•	•
24	•	•	•	•	•	•
110	•	•	•	•		
230	•	•	•	•		

• Available options

Station	X(mm)	L(mm)
2	60	53
3	83	76
4	106	99
5	129	122
6	152	145
7	175	168
8	198	191
9	221	214
10	244	237
11	257	250
12	270	263

\* To order manifolds manufactured according to your specific requirements, please contact our technical sales department.