

SOLENOID VALVES | GEM-SOL® | General Purpose

Direct Operated

GEM-SOL® | L45 (GEM-L) Special

Low pressure flows 3/4", 1" | 2 Way NC

Technical Data

Function	2 Way NC
Ports size	3/4", 1" BSP & NPT
Pressure range	See table
Kv (l/min)	See table
Temperature range	Fluid : -10°C to 80°C (no freezing) Ambient : -10°C to 50°C
Materials in contact with media	Main Valve: Brass Stainless Steel AISI 316 Solenoid Operator: Stainless Steel AISI 300 & 400 series Seals: NBR, FKM, EPDM, Viton™ Extreme™ ETP-600S
Media	Designed for use in LP gas systems. Also in air, water and vacuum systems : (high flow at low pressure)
Coil voltage	• Voltage and power consumption - see table • All Baccara coil voltages are ± 10% of nominal
Standard protection class	IP65 with connector * Option : IP68 (please refer to GEM-BP Coil)



Brass | 1"

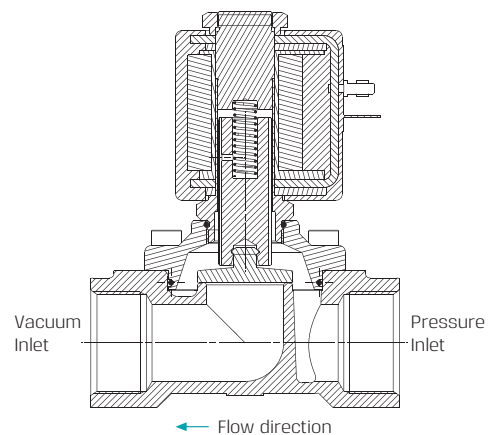
Pressure (bar) & Flow NC

Size	Orifice (mm)	Pressure (bar)	Kv (l/min)
3/4"	20	-1 to 1	80
1"	25		125

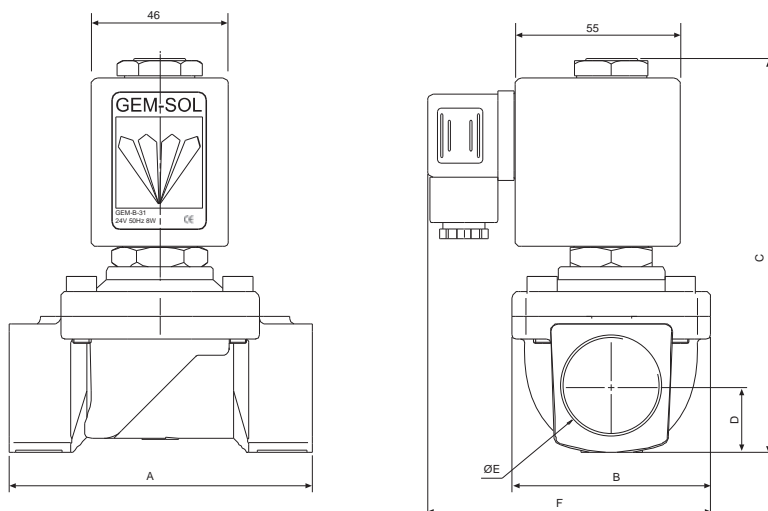
Voltage & Power Consumption

	AC (W)		DC (W)
	50 Hz	60 Hz	
V	38	38	38
12			•
24	•		•
120		•	•
230	•		•

• Available options



Dimensions



Size	A	B	C	D	E	F	Weight with coil
3/4"	90	55	119.5	17	3/4" BSP/NPT	87.7	87.7
1"	100	65	128.5	21	1" BSP/NPT	92.7	92.7

* To order valves manufactured according to your specific requirements, please contact our technical sales department.