

# SOLENOID VALVES | GEM-SOL® | General Purpose

## Direct Operated

### GEM-SOL® | I32 (GEM-I)

Inline 1/8", 1/4" | 2 Way NC, NO

#### Technical Data

Function	2 Way NC, NO
Ports size	1/8", 1/4" BSP & NPT
Orifice size	See table
Pressure range	See table • Higher pressures are available
Kv (l/min)	See table
Temperature range	<b>Fluid :</b> -10°C to 80°C (no freezing) <b>Ambient :</b> -10°C to 50°C
Materials in contact with media	<b>Main Valve:</b> Brass <b>Solenoid Operator:</b> Stainless Steel AISI 300 & 400 series <b>Seals:</b> NBR, FKM, EPDM
Media	Air, water, oil
Coil voltage	• Voltage and power consumption - see table • All Baccara coil voltages are ± 10% of nominal
Standard protection class	IP65 with connector * Option : IP68 (please refer to GEM-BP Coil)

• Latch valves are available upon request.



Inline

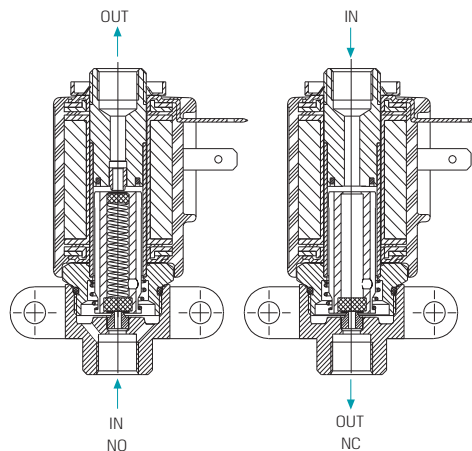
#### Max. Pressure (bar) 2 Way NC

Coil Current/Power	Orifice (mm)			
	0.8	1.6	2.4	3.0
ADC *	40	30	17	10
AC8W, DC10W	45	37	20	12
AC5.5W	40	32	16	8
DC5.5W	35	30	12	6
Flow factor Kv(l/min)	0.5	1.7	3.5	4.5

#### Max. Pressure (bar) 2 Way NO

Coil Current/Power	Orifice (mm)			
	0.8	1.6	2.4	3.0
ADC *	32	27	13	9
AC8W, DC10W	35	32	18	12
Flow factor Kv(l/min)	0.5	1.6	3.2	3.8

\* ADC valves are only suitable for use with AC8W or DC10W coils.



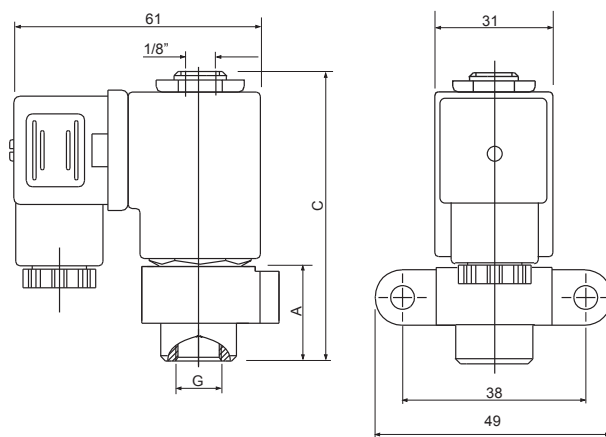
#### Voltage & Power Consumption

V	AC (W)						DC (W)		
	50 Hz			60 Hz			10	5.5	3.5
6							•	•	
12	•			•			•	•	
24	•	•		•	•		•	•	
48	•			•			•		
110	•			•	•		•		
120	•			•	•				
220	•	•		•			•		
230	•	•		•	•				
240	•			•			•		

• Available options

# GEM-SOL® | I32 (GEM-I) | Inline 1/8", 1/4" | 2 Way NC, NO

## Dimensions



Size (G)	A	C
1/8"	20	68
1/4"	23	88

"INLINE" Mounting

## How to Order

GEM-I	BODY	PORT	FUNCTION	ORIFICE	SEALS	VOLTAGE	POWER	CONNECTOR							
"Inline" mounting	5	1/8" BSP	10	2W NC	1	0.8	1	NBR	N	without coil	0	No coil	0	with	1
										6	1	AC8W 50Hz	1	with LED	2
		1/8" NPT *	11	2W NO	2	1.2	2	FKM	V	12	2	AC8W 60Hz	2	<b>flying leads coil *</b>	<b>4</b>
										24	3	DC10W	3	with 1/2" Hub	5
		1/4" BSP *	20	2.0	4	EPDM	E	48	4	AC5.5W 50Hz	4	<b>surge protection with LED *</b>	<b>6</b>		
								110	5	AC5.5W 60Hz	5	connector with moulded cable	7		
		1/4" NPT *	21	2.4	5	120	6	DC5.5W	7	other	9				
						220	7A								
		230	7												
		240	8												
<b>Latch/other * (1)</b>	<b>9</b>														

\* **SPECIAL OPTIONS** | Extended lead times, Non-stock items, MOQ may be applicable

### Example : GEM-I-51015N-331

GEM-SOL® I32 (GEM-I) direct operated, Inline Mounting, 1/8" BSP, 2W NC, 2.4 orifice, NBR, 24VDC 10W with connector.

(1) When specifying Latch type coil, please refer to A3P32 (GEM-A3P) valve - How to Order table.

\* **Note:** When ordering without coil, please define what current and pressure rating is needed (DC, AC or ADC), otherwise an ADC valve will be supplied.

\* To order valves manufactured according to your specific requirements, please contact our technical sales department.