

SOLENOID VALVES | General Purpose

Direct Operated | 3W



* Available on selected models only

GEM-A | 1/8", 1/4" 3 Way NC, NO



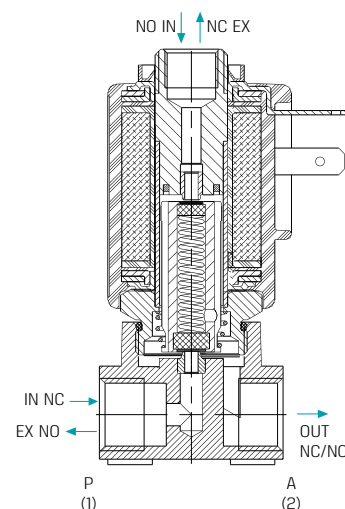
Stainless Steel | slot manual override



Brass | slot manual override



Mazak | plastic manual override



Technical Data

Function	3 Way NC, NO
Ports size	1/8" and 1/4" BSP & NPT
Orifice size	See table
Pressure range	<ul style="list-style-type: none"> • See table • Valves for pressure higher than 25 bar cannot be supplied with manual override
Kv (l/min)	See table
Temperature range	Fluid : -10°C to 80°C (no freezing) Ambient : -10°C to 50°C
Materials in contact with media	Manual override*: Plastic, Brass screw or Brass finger knob Stainless Steel for Stainless Steel valves * unavailable in 3W NO through base applications Main Valve: Mazak, Brass or Stainless Steel AISI 316 Solenoid Operator: Stainless Steel AISI 300 & 400 series Seals: NBR, FPM (Viton®), EPDM, FFKM (Kalrez®) or PTFE
Media	Air, water, oil
Coil voltage	<ul style="list-style-type: none"> • Voltage and power consumption - see table • All Baccara coil voltages are ± 10% of nominal
Standard / Certification	<ul style="list-style-type: none"> • UL 429 * Available on selected models only. Please contact our technical sales department for details.
Standard protection class	IP65 with connector * Option : IP68 (please refer to GEM-BP Coil)

• Latch valves are available upon request.

Max. Pressure (bar) 3W NC table

Coil Current/Power	Orifice (mm)					
	0.8	1.2	1.6	2.0	2.4	3.0
ADC *	23	20	15	10	8	5.5
AC8W, DC10W	35	30	17	14	10	6
AC5.5W	23	20	15	10	8	5.5
AC2.5W DC5.5W DC3.5W	20	16	10	9	5	4
Flow factor Kv(l/min)	0.6	1.1	1.7	2.5	3.5	4.5

Max. Pressure (bar) 3W NO table

Coil Current/Power	Orifice (mm)					
	0.8	1.2	1.6	2.0	2.4	3.0
ADC *	25	20	15	11	8	6
AC/8W DC/10W	30	22	17	12	10	7
AC/5.5W,DC/5.5W	25	20	15	11	8	6
AC/2.5W,DC/3.5W	20	18	12	8	6	4
Flow factor Kv(l/min)	0.6	1	1.4	2.2	3.0	3.5

* ADC valves are only suitable for use with AC8W or DC10W coils.

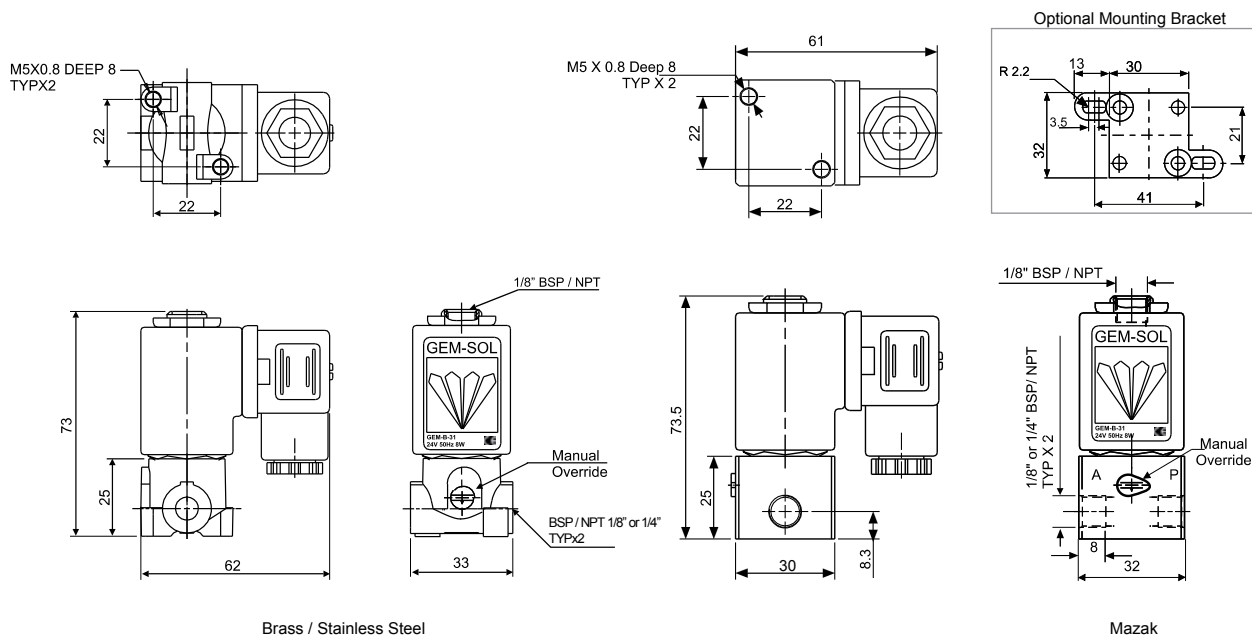
Voltage & Power Consumption

V	AC (W)						DC (W)		
	50 Hz			60 Hz			10	5.5	3.5
	8	5.5	2.5	8	5.5	2.5			
6							•	•	•
12	•			•			•	•	•
24	•	•	•	•	•	•	•		
48	•			•			•		
110	•			•	•		•		
120	•			•					
220	•	•	•	•			•		
230	•	•							
240	•			•			•		

• Available options

Direct Operated | 3W | GEM-SOL | 1/8", 1/4" NC, NO

Dimensions



How to Order

GEM-A	BODY	PORT	FUNCTION	ORIFICE	SEALS	MANUAL OVERRIDE	VOLTAGE	POWER	CONNECTOR								
Mazak	1	1/8" BSP	10	3W NC	3	0.8	1	NBR	N	None	0	W/out coil	0	No coil	0	without	0
Brass	2	1/8" NPT	11	3W NO	4	1.2	2	FPM (Viton®)	V	Plastic	1	6	1	AC8W 50Hz	1	with	1
Stainless Steel	3	1/4" BSP	20	3WNO ⁽¹⁾ through base	4a	1.6	3	EPDM	E	Slot	2	12	2	AC8W 60Hz	2	with LED	2
						2.0	4	FFKM ⁽²⁾ (Kalrez®)	K	Knob	3	24	3	DC10W	3	with bi-color LED	3
						2.4	5	PTFE	T			48	4	AC5.5W 50Hz	4	flying leads coil	4
						3.0	6					110	5	AC5.5W 60Hz	5	with 1/2" Hub	5
		1/4" NPT	21									120	6	AC2.5W 50/60Hz	6	surge protection with LED	6
												220	7A	DC5.5W	7	connector with moulded cable	7
												230	7	DC3.5W	8	other	9
												240	8				
												Latch/other ⁽³⁾	9				

Example : GEM-A-21035N2-311

GEM-SOL direct operated brass, 1/8" BSP, 3W NC, 2.4 orifice, NBR, slot manual override, 24V AC8W 50Hz with connector.

GEM-A - 2 10 3 5 N 2 - 3 1 1

(1) Option 4a : manual override is not available

(2) FFKM (Kalrez®) O-ring is available only upon request. When ordering FFKM (Kalrez®) seals, please consult with our technical sales department about O-ring compound

(3) For specifying Latch type coil, please refer to GEM-A3P valve - How to Order table.

* Note: When ordering without coil, please define what current and pressure rating is needed (DC, AC or ADC), otherwise an ADC valve will be supplied.

* To order valves manufactured according to your specific requirements, please contact our technical sales department.