

COILS & OPERATORS

Coils

GEM-SOL® | G80-B

Coil

Technical Data

Coil winding insulation	F 155°C
Temperature range	Coil : -20°C to 120°C Ambient : -20°C to 50°C
Construction	in accordance with EN 60204.1
Duty cycle *	100% ED
Electrical connection	• AMP 6.3x0.8, DIN 43650, 2 poles + 1 earth • 2 flying leads, 20AWG
Connector	• DIN 43650 • Fixture : M3 screws, 2 positions at 180° * Max. tightening torque for the connector screw : 0.5 Nm
Assembly	On a valve, 4 positions at 90°
Coil fixing	On a G80 operator with M8x0.75 nut
Impregnation	Optional
Coil voltage	• Voltage and power consumption - see table • All Baccara coil voltages are ±10% of nominal
Standard protection class	IP65 with connector

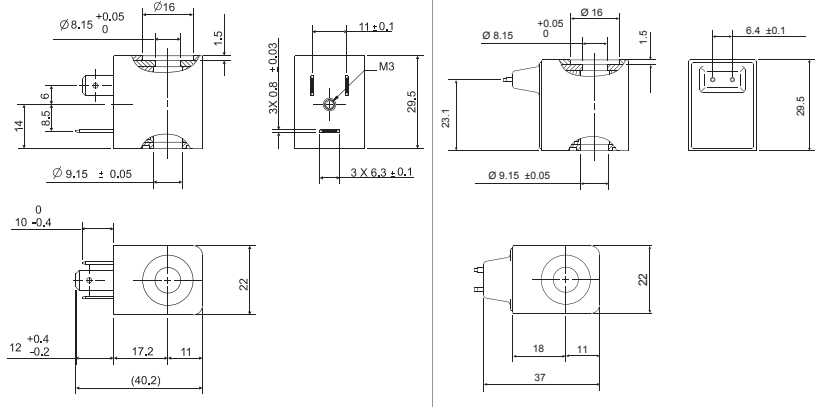
- The coil should not be energized without being assembled on the operator
- * Please consult with our technical sales department :
 - for further information on using different power coils (not shown in the table)
 - for long term operation



Power Consumption (AC)

Type	50 Hz	
	Inrush	Holding
7.5W	12.5VA	10.5VA
5W	7VA	5VA

Dimensions



Power Consumption (DC)

Type
6W
3W

Voltage & Power Consumption

V	AC (W)				DC (W)	
	50 Hz		60 Hz		6	3
6					•	•
12	•	•	•	•	•	•
24	•	•	•	•	•	•
110	•	•	•	•		
230	•	•	•	•		

- Available options

* **SPECIAL OPTIONS** | Extended lead times, Non-stock items, MOQ may be applicable

How to Order

G80-B	-	VOLTAGE	POWER	CONNECTOR
6 ⁽¹⁾	1	AC7.5W 50Hz	1	with 1
12	2	AC6W 50Hz	2	flying leads coil * 4
24	3	DC6W	3	
110	5	AC5W 50Hz	4	
230	7	AC3W 60Hz	5	
		DC3W	7	

Example : G80-B-331

GEM-SOL® G80-B Coil, 24VDC 6W with connector

(1) DC only

* To order coils manufactured according to your specific requirements, please contact our technical sales department.