

SOLENOID VALVES | GEM-SOL® | General Purpose Direct Operated

GEM-SOL® | AL32 (GEM-A | Large orifice)

Large orifice 1/4" 3 Way NC, NO

Technical Data

Function	3 Way NC, NO
Ports size	1/4" BSP & NPT
Orifice size	Bottom orifice : 6.0mm, 8.0mm Top orifice : 3mm, 5mm (see table)
Kv (l/min)	See table
Temperature range	Fluid : -10°C to 80°C (no freezing) Ambient : -10°C to 50°C
Materials in contact with media	Main Valve: Brass or Stainless Steel AISI 316 Solenoid Operator: Stainless Steel AISI 300 & 400 series Seals: FKM, EPDM, FFKM
Media	Air, water
Coil voltage	• Voltage and power consumption - see table • All Baccara coil voltages are ± 10% of nominal
Standard protection class	IP65 with connector * Option : IP68 (please refer to GEM-BP Coil)

- These valves have been especially designed for electronic automatic vacuum milking systems.



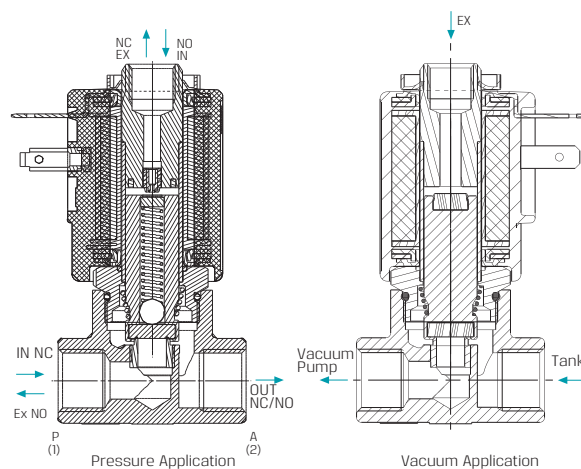
Brass | pressure |
6mm orifice

Vacuum Application (bar)

Function	6.0		8.0	
	6.0	8.0	6.0	8.0
3 Way NC	-1	-1		
3 Way NO	-1 to 0.5	NA		
Flow factor Kv(l/min)	6	10		

Pressure Application (bar)

Function	6.0		8.0	
	6.0	8.0	6.0	8.0
3 Way NC	1.6	0.5		
3 Way NO (for 3mm top orifice)	1.5	NA		
Flow factor Kv(l/min)	6	10		



Voltage & Power Consumption

V	AC (W)						DC (W)		
	50 Hz			60 Hz			10	5.5	3.5
6							•		
12	•			•			•		
24	•			•			•		
48	•			•			•		
110	•			•			•		
120	•			•					
220	•			•			•		
230	•			•					
240	•			•			•		

- Available options

