

SOLENOID VALVES | GEM-SOL® | General Purpose Direct Operated

GEM-SOL® | AL32 (GEM-A | Large orifice)

Large orifice 1/4" | 2 Way NC, NO

Technical Data

Function	2 Way NC, NO
Ports size	1/4" BSP & NPT
Orifice size	See table
Pressure range	See table
Kv (l/min)	See table
Temperature range	Fluid : -10°C to 80°C (no freezing) Ambient : -10°C to 50°C
Materials in contact with media	Main Valve: Brass or Stainless Steel AISI 316 Solenoid Operator: Stainless Steel AISI 300 & 400 series Seals: FKM, EPDM, FFKM, PTFE
Recommended use	Vacuum application
Media	Air, water, oil
Coil voltage	• Voltage and power consumption - see table • All Baccara coil voltages are ± 10% of nominal
Standard protection class	IP65 with connector * Option : IP68 (please refer to GEM-BP Coil)

• Latch valves are available upon request.



Stainless Steel



Brass

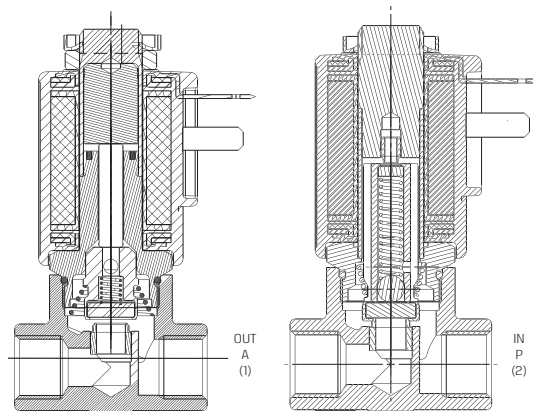
Max. Pressure (bar) 2 Way NC

Coil Current/Power	Max. Pressure (bar)	
	6.0	8.0
AC8W	3.8	2.5
AC5.5W	3	2
DC10W	3.8	1.5
DC5.5W	2	1
Flow factor Kv(l/min)	6	10

Max. Pressure (bar) 2 Way NO

Coil Current/Power	Max. Pressure (bar)	
	6.0	
ADC *	2	
AC8W, DC10W	2	
Flow factor Kv(l/min)	6	

* ADC valves are only suitable for use with AC8W or DC10W coils.



← Flow direction

Voltage & Power Consumption

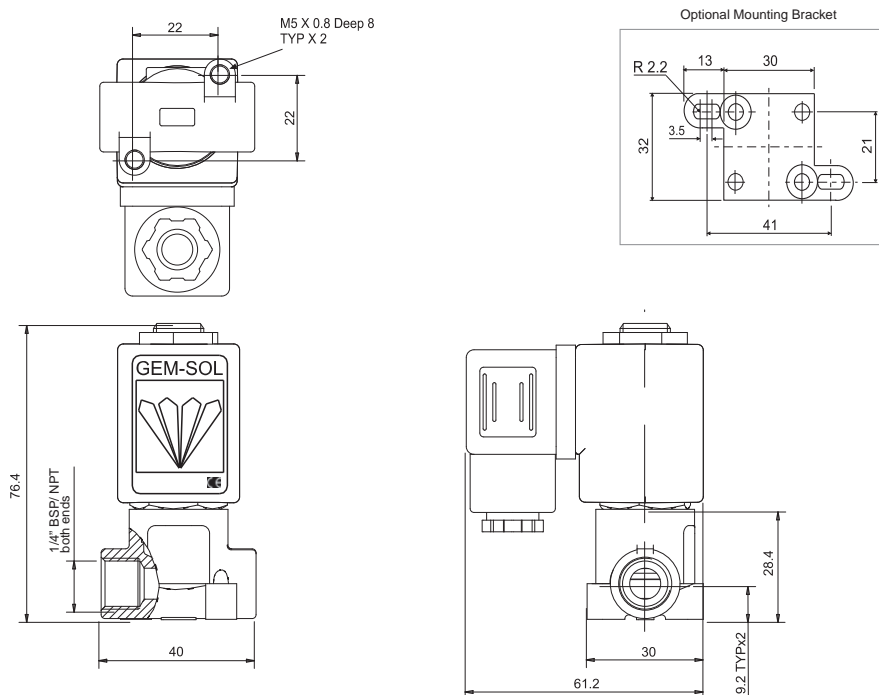
V	AC (W)						DC (W)		
	50 Hz			60 Hz			10	5.5	3.5
6							•	•	•
12	•	•		•	•		•	•	•
24	•	•	•	•	•	•	•	•	•
48	•	•		•	•		•	•	
110	•	•		•	•	•	•	•	
120	•	•		•	•	•			
220	•	•	•	•	•		•	•	
230	•	•	•	•	•	•			
240	•	•		•	•		•	•	

Available options :

- NC valves
- NO valves

GEM-SOL® | AL32 (GEM-A) | Large orifice 1/4" | 2 Way NC, NO

Dimensions



How to Order

GEM-A	BODY	PORT	FUNCTION	ORIFICE	SEALS	VOLTAGE	POWER	CONNECTOR	
	Brass	2 1/4" BSP	20 2W NC	1 6.0 8	FKM V	without coil	0 No coil	0 with	
	Stainless Steel *	3 1/4" NPT	21 2W NO	2 8.0 ⁽¹⁾ a	EPDM E	6	1 AC8W 50Hz	1 with LED	
FFKM ⁽²⁾ K					12	2 AC8W 60Hz	2 flying leads coil *	4	
PTFE *					T	24	3 DC10W	3 with 1/2" Hub	5
						48	4 AC5.5W 50Hz ⁽⁴⁾	4 surge protection with LED *	6
						110	5 AC5.5W 60Hz ⁽⁴⁾	5 connector with moulded cable	7
						120	6 DC5.5W ⁽⁴⁾	7 other	9
						220	7A		
						230	7		
						240	8		
								Latch/other * ⁽³⁾	9

* **SPECIAL OPTIONS** | Extended lead times, Non-stock items, MOQ may be applicable

Example : GEM-A-2201aV-331

GEM-SOL® AL32 (GEM-A) direct operated, Brass, 1/4" BSP, 2W NC, 8.0 orifice, FKM, 24VDC 10W with connector.

- (1) Not available in NO valve
- (2) FFKM O-ring is available only upon request. When ordering FFKM seals, please consult with our technical sales department about O-ring compound
- (3) When specifying Latch type coil, please refer to A3P32 (GEM-A3P) valve - How to Order table.
- (4) NC only

* **Note:** When ordering without coil, please define what current and pressure rating is needed (DC, AC or ADC), otherwise an ADC valve will be supplied.

* To order valves manufactured according to your specific requirements, please contact our technical sales department.