

# SOLENOID VALVES | GEM-SOL® | General Purpose

## Direct Operated

### GEM-SOL® | A32 (GEM-A)

1/8", 1/4" | 2 Way NC, NO

#### Technical Data

Function	2 Way NC, NO
Ports size	1/8" and 1/4" BSP & NPT
Orifice size	See table
Pressure range	<ul style="list-style-type: none"> <li>• See table</li> <li>• Valves for pressure higher than 25 bar cannot be supplied with manual override</li> </ul>
Kv (l/min)	See table
Temperature range	<b>Fluid</b> : -10°C to 80°C (no freezing) <b>Ambient</b> : -10°C to 50°C
Materials in contact with media	<b>Manual override:</b> Plastic (Reinforced Nylon), Brass screw or finger knob, Stainless Steel for Stainless Steel valves (1) Plastic manual override : Maximum pressure : 16 bar (2) Manual override is unavailable in 2W NO through base applications <b>Main Valve:</b> Brass or Stainless Steel AISI 316 <b>Solenoid Operator:</b> Stainless Steel AISI 300 & 400 series <b>Seals:</b> NBR, FKM, EPDM, FFKM, PTFE
Media	Air, water, oil
Coil voltage	<ul style="list-style-type: none"> <li>• Voltage and power consumption - see table</li> <li>• All Baccara coil voltages are ± 10% of nominal</li> </ul>
Standard protection class	IP65 with connector * Option : IP68 (please refer to GEM-BP Coil)

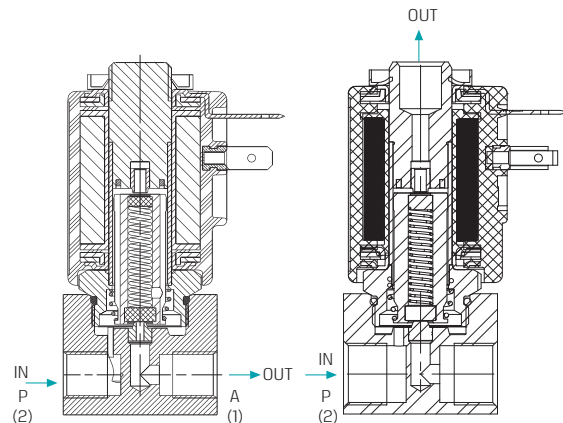
- Latch valves are available upon request
- Available with manifold bracket upon request. Please contact our technical sales department.



Stainless Steel



Brass



2 Way NC

2 Way NO

#### Max. Pressure (bar) 2 Way NC

Coil Current/Power	Orifice (mm)						
	0.8	1.2	1.6	2.0	2.4	3.0	4.0
ADC *	60	50	35	20	15	10	5
AC8W/DC10W	80	80	60	38	30	18	10
AC5.5W	80	60	40	28	20	15	6
AC2.5W	60	50	35	20	15	9	5
DC5.5W	60	30	18	12	9	6	3
DC3.5W	40	20	12	8	6	4	2
Flow factor Kv(l/min)	0.5	1.1	1.7	2.5	3.5	4.5	5

#### Max. Pressure (bar) 2 Way NO

Coil Current/Power	Orifice (mm)					
	0.8	1.2	1.6	2.0	2.4	3.0
ADC *	25	25	25	20	15	10
Flow factor Kv(l/min)	0.5	1.1	1.4	2.5	3.0	3.5

\* ADC valves are only suitable for use with AC8W or DC10W coils

#### Voltage & Power Consumption

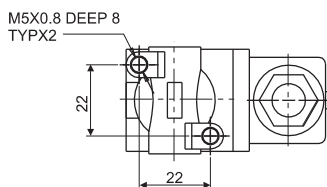
V	AC (W)						DC (W)		
	50 Hz			60 Hz			10	5.5	3.5
6							•	•	•
12	•			•			•	•	•
24	•	•		•	•		•	•	•
48	•			•			•		
110	•			•	•		•		
120	•			•	•				
220	•	•		•			•		
230	•	•		•	•				
240	•			•			•		

#### Available options

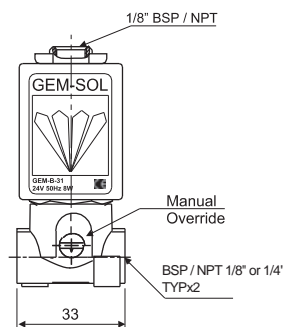
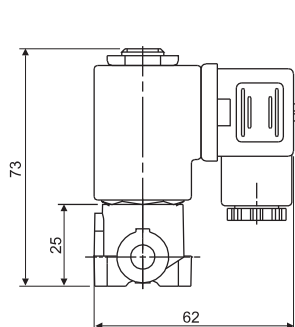
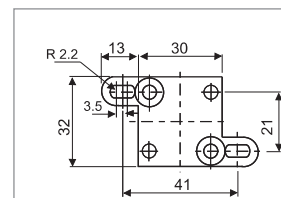
- Standard
- Special

# GEM-SOL® | A32 (GEM-A) | 1/8", 1/4" | 2 Way NC, NO

## Dimensions



Optional Mounting Bracket



## How to Order

\* For available options, please refer to **VOLTAGE & POWER CONSUMPTION** table

GEM-A	BODY	PORT	FUNCTION	ORIFICE	SEALS	MANUAL OVERRIDE	VOLTAGE	POWER	CONNECTOR								
Brass	2	1/8" BSP	10	2W NC	1	0.8	1	NBR	N	None	0	without coil	0	No coil	0	with	1
SST	3	1/8" NPT	11	<b>2W NO *</b>	<b>2</b>	1.2	2	<b>FKM *</b>	<b>V</b>	<b>Plastic * (3)</b>	<b>1</b>	6	1	AC8W 50Hz	1	with LED	2
		1/4" BSP	20	2WNO-through base (1)	2a	1.6	3	EPDM	E	Slot	2	12	2	AC8W 60Hz	2	<b>flying leads coil *</b>	<b>4</b>
		1/4" NPT	21			2.0	4	<b>FFKM *(2)</b>	<b>K</b>	<b>Knob *</b>	<b>3</b>	24	3	DC 10W	3	with 1/2" Hub	5
						2.4	5	<b>PTFE *</b>	<b>T</b>			48	4	AC 5.5W 50Hz	4	<b>surge protection with LED *</b>	<b>6</b>
						<b>3.0 *</b>	<b>6</b>					110	5	AC 5.5W 60Hz	5	connector with moulded cable	7
						<b>4.0 *</b>	<b>7</b>					120	6	AC 2.5W 50/60Hz	6	<b>other *</b>	<b>9</b>
												220	7A	DC 5.5W	7		
												230	7	DC 3.5W	8		
												240	8				
												<b>Latch/other * (4)</b>	<b>9</b>				

\* **SPECIAL OPTIONS** | Extended lead times, Non-stock items, MOQ may be applicable

### Example : GEM-A-21015N2-331

GEM-SOL® A32 (GEM-A) direct operated, Brass, 1/8"BSP, 2W NC, 2.4 orifice, NBR, slot manual override, 24VDC 10W with connector

- (1) Option 2a : manual override is not available
- (2) FFKM O-ring is available only upon request. When ordering FFKM seals, please consult with our technical sales department about O-ring compound
- (3) Maximum pressure : 16 bar
- (4) For specifying Latch type coil, please refer to A3P32 (GEM-A3P) valve - How to Order table

\* **Note:** When ordering without coil, please define what current and pressure rating is needed (DC, AC or ADC), otherwise an ADC valve will be supplied

\* To order valves manufactured according to your specific requirements, please contact our technical sales department.