

# SOLENOID VALVES | GEM-SOL® | General Purpose

Direct Operated

## GEM-SOL® | A22 (G80-A)

2 Way NC, NO

### Technical Data

Function	2 Way NC, NO
Ports size	1/8" BSP, NPT, M5
Orifice size	See table
Pressure range	<ul style="list-style-type: none"> <li>• See table</li> <li>• Valves for pressure higher than 12 bar cannot be supplied with manual override</li> </ul>
Kv (l/min)	See table
Temperature range	<b>Fluid</b> : -10°C to 80°C (no freezing) <b>Ambient</b> : -10°C to 50°C
Materials in contact with media	<b>Main Valve:</b> Aluminium, Stainless Steel AISI 316, Brass <b>Solenoid Operator *</b> Stainless Steel AISI 300 & 400 series, Brass * Standard operators are Stainless Steel <b>Seals:</b> NBR, FKM, EPDM, FFKM
Media	Air, water, oil
Coil voltage	<ul style="list-style-type: none"> <li>• Voltage and power consumption - see table</li> <li>• All Baccara coil voltages are ± 10% of nominal</li> </ul>
Standard protection class	IP65 with connector



Brass

Stainless Steel



Aluminium

### Max. Pressure (bar) 2 Way NC

Coil Current/Power	Orifice (mm)				
	1.0	1.2	1.6	2.0	2.4
AC - 75W	40	35	35	12	10
AC - 5W	40	30	15	8	6
DC - 6W	40	35	20	12	10
DC - 3W	40	30	15	5	4
Flow factor Kv(l/min)	0.5	0.65	1.2	1.6	2

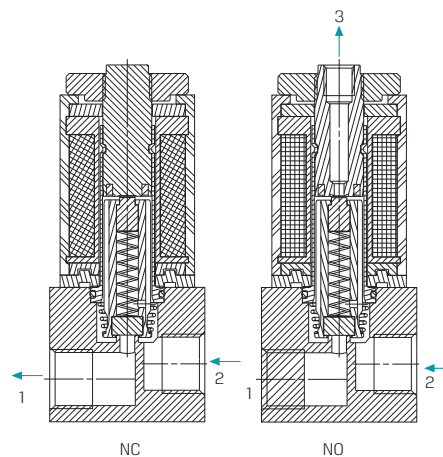
### Max. Pressure (bar) 2 Way NO

Coil Current/Power	Orifice (mm)	
	1.2	1.6
AC - 5W	15	10
DC - 3W	15	10
Flow factor Kv(l/min)	0.4	0.7

### Voltage & Power Consumption

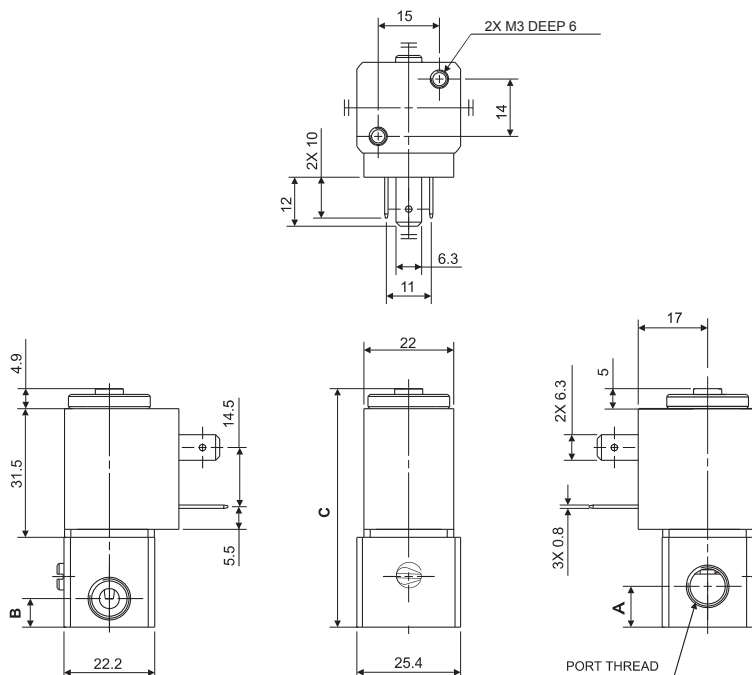
V	AC (W)				DC (W)	
	50 Hz		60 Hz			
7.5	7.5	5	6	3	6	3
6					•	•
12	•	•	•	•	•	•
24	•	•	•	•	•	•
110	•	•	•	•		
230	•	•	•	•		

• Available options



# GEM-SOL® | A22 (G80-A) | 2 Way NC, NO

## Dimensions



Port thread	A	B	C
M5	5.5	4	51.5
1/8"	10	7	58.5

## How to Order

\* When ordering without coil, please define what current and pressure rating is needed (DC, AC)

G80-A	BODY <sup>(1)</sup>	PORT	FUNCTION	ORIFICE	SEALS	MANUAL OVERRIDE	VOLTAGE		POWER		CONNECTOR							
	Aluminium *	1	M5 *	00	2W NC	1	1.0	1	NBR	N	None	0	without coil	0	No coil	0	with	1
	Brass	2	1/8" BSP	10	2W NO	2	1.2	2	FKM	V			6 <sup>(4)</sup>	1	AC75W 50Hz	1	flying leads	4
	Stainless Steel	3	1/8" NPT	11			1.6	3	EPDM	E			12	2	AC6W 60Hz	2		
							2.0 <sup>(2)</sup>	4	FFKM* <sup>(3)</sup>	K			24	3	DC6W	3		
							2.4 <sup>(2)</sup>	5					110	5	AC5W 50Hz	4		
													230	7	AC3W 60Hz	5		
													other	9	DC3W	7		

\* SPECIAL OPTIONS | Extended lead times, Non-stock items, MOQ may be applicable

### Example : G80-A-21011V0-321

GEM-SOL® A22 (G80-A) direct operated, Brass, 1/8", 2W NC, 1.0mm orifice, FKM, no manual override, 24VAC 6W 60Hz, with connector.

(1) For Stainless Steel tube, add "s": e.g A22-□s.....

(2) NC only

(3) FFKM O-ring is available only upon request. When ordering FFKM seals, please consult with our technical sales department about O-ring compound

(4) DC only

\* To order valves manufactured according to your specific requirements, please contact our technical sales department.